

Benelli K2

Reservdelskatalog



Lathund Benelli K2

Benämning	Res. nr.	Alternativ
Bakskärm	05-1290	Alla (Reflex fästes i denna)
Bakstycke frontkåpa (knäckåpa)	05-1215	Alla
Bakstycke styrkåpa GRÅ	05-1691	Grå
"	05-1174	Svart
Dekaler K2	05-1619	Alla utom K2 Namur
Dekalsats namur	05-1622	Namur röd
Framskärm	05-1301	Alla
Frontkåpa hö.	05-1230	Namur röd
"	05-1268	Silver
"	05-1763	
Frontkåpa vä.	05-1232	Namur röd
"	05-1749	Silver
"	05-1764	Blå
Frontkåpa mittre	05-1228	Namur röd
"	05-1227	Silver
"	05-1765	Blå
Fotkåpa (täcker båda sidor)	05-1305	Alla Fotsteg, vid golv
Galler frontkåpa Hö.		
Galler frontkåpa Vä.	05-1772	
Sadelunderrede	05-1474	Namur röd
"	05-1468	Silver
"		Blå
Stora bakre mittenkåpan	05-1507	Namur röd
"	05-1505	Silver
"	05-1762	Blå
Styrkåpa främre	05-1187	Namur röd
"	05-1177	Silver
"	05-1185	Blå
Sidopanel Hö.	05-1430	Alla
Sidopanel Vä.	05-1432	Alla
Undre kåpa (bukåpa)	05-1306	Alla
Vindskiva styrkåpa	05-1172	Alla
Avgasrörspackning	05-1537	
Avgassystem med katalysator	05-1768	Passar alla som har avgassystem med Kat.
Backspegel Hö.	05-1606	
Backspegel Vä.	05-1607	
Batteri	05-1602	
Blinkersglas hö. bak	05-1748	Alla K2
Blinkersglas vä. bak	05-1747	Alla K2
Blinkersglassats fram	05-1073	Alla K2 (båda sidor)
Bromsgrepp Hö.	05-0908	
Bromsgrepp Vä.	05-0976	
Bromskabel bak	05-0979	
Bromsljuskontakt	05-1022	Samma hö. och vä. (lika på Drac 5-720-0070)
Gaswire	05-0723	
Glödlampa bakljus/bromsljus	17-929-05	12V 21/5W
Glödlampa Blinkers	17-929-04	12V 10W
Glödlampa fram	17-930-75	12V 25W
Hastighetsmätardrivning	05-0871	
Hastighetsmätarwire	05-1126	
Lucka batteri	05-1427	Alla
Låssats	05-1769	Passar alla. Kompl. Låssats
Nummerplåtshållare/stänkskydd	05-1289	Alla
Nyckelämne	05-1154	För kopiering av befintlig nyckel
Sadel	05-1761	Passar alla K2 (och 491 fr.om. 1999)
Stödfjäder	05-0751	
Variatorrem	05-0360	
Värmskydd yttre för Katalysator	05-1773	Alla som står "POWER CAT" på

Index nummer

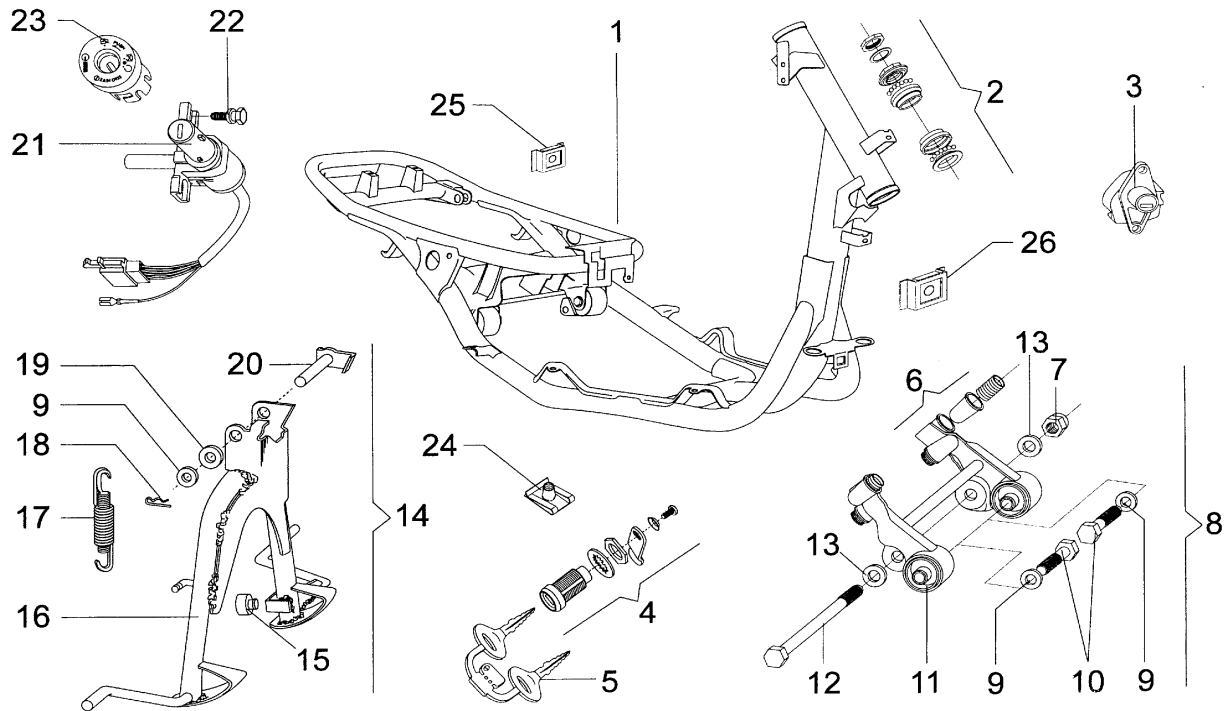
Blad	Pos.	Parts Number	Blad	Pos.	Parts Number	Blad	Pos.	Parts Number
B	3	R11040011A0	D	20	R14140011A0	A	13	R18040051A0
B	14	R11040031A0	C	26	R16140011A0	D	23	R18140021A0
B	6	R11040041A0	C	27	R16140021A0	E	7	R18340031A0
B	19	R11040051A0	C	22	R16140031A0	E	3	R18340041A0
B	23	R11040061A0	C_1	39	R16140041A0	E	2	R18340051A0
B	24	R11040071A0	C_1	37	R16140051A0	E	5	R18340061A0
B	10	R11040081A0	C	1	R16140061A0	E	8	R18440011A0
A	11	R11040091A0	C	21	R16140071A0	E	10	R18440021A0
B_1	36	R11040101A0	C	12	R16140081A0	B	18	R19140011A0
D	14	R11040111A0	C	3	R16140091A0	A	6	R19140021A0
B	2	R11040121A0	C	5	R16140101A0	A	4	R19140031A0
B	1	R11140011A0	C	20	R16140111A0	B	27	R19140041A0
B	13	R11240011A0	C_1	28	R16140121A0	B	26	R19140051A0
B	4	R11240021A0	C_1	28	R16140131A0	B_1	29	R19140061A0
A	9	R11240031A0	C	6	R16140141A0	B_1	30	R19140071A0
B_1	34	R11240041A0	C	8	R16140151A0	A	5	R19140081A0
C	15	R11240051A0	C_1	28	R16140161A0	B_1	28	R19140081A0
D	2	R11240061A0	C	17	R16140171A0	B_1	33	R19140091A0
D	7	R11240071A0	C	19	R16140181A0	B_1	32	R19140101A0
B	22	R11240081A0	C	7	R16140191A0	A	3	R19140111A0
B_1		R11240091A0	C	2	R16140201A0	B_1		R19140121A0
D	18	R11240111A0	C_1	28	R16140211A0	A	2	R19240011A0
E	4	R11240121A0	C	24	R16140222A0	1	1	R21020031AX
D	22	R11340011A0	C	16	R16140231A0	1	2	R21440011A0
B	5	R11340031A0	C	23	R16140241A0	5	1	R22020011AX
B	12	R11340041A0	C_1	38	R16140251A0	5	6	R22210021A0
B	11	R11340061A0	B	21	R16140261A0	5	2	R22210031A0
A	10	R11340091A0	C_1	36	R16140271A0	5	9	R22220011A0
B	20	R11340101A0	C	13	R16140281A0	5	3	R22490041A0
B	15	R11340111A0	B	25	R16140291A0	5	4	R22640011A0
B	16	R11340121A0	C_1	28	R16140301A0	5	17	R22640031A0
A	17	R11340131A0	C	4	R16140311A0	1	16	R24020041AX
E	9	R11340171A0	C	9	R16140321A0	1	14	R24090051AX
A	7	R11340191A0	B_1	37	R16140331A0	1	17	R24220051AY
B	9	R11340191A0	C	11	R16140331A0	1	20	R24220151AY
A	12	R11340201A0	C	10	R16140341A0	1	15	R24240061A0
A	1	R11340211A0	B_1	38	R16140351A0	1	19	R24240071A0
B	8	R11340211A0	C_1		R16140361A0	1	11	R25020031AX
E	6	R11340211A0	D	6	R16140361A0	1	8	R25090021A0
B	7	R11340221A0	C	25	R16140371A0	1	6	R25190061A0
B_1	35	R11340231A0	C_1	35	R16140381A0	1	12	R25210021AY
B	17	R11340261A0	C	18	R16140391A0	2	1	R31020021A0
D	4	R12040021A0	C_1	28	R16140411A0	2	2	R31110041A0
D	5	R12240011A0	C	8	R16140421A0	2	5	R31320011A0
D	8	R12240021A0	C	14	R16140441A0	2	6	R31420011A0
D	1	R12340011A0	C_1		R16240011A0	2	3	R31520031A0
D	19	R13040021A0	A	15	R17040011A0	2	4	R31520041A0
D	16	R13240011 B0	A	16	R17040021A0	2	8	R31720011A0
D	17	R13240011 C0	D	25	R17040031A0	2	7	R31820131A0
D	15	R13240011A0	D	24	R17040041A0	2	15	R31840011A0
D	9	R13240031A0	A	18	R17040051A0	2	i6	R31840021A0
D	10	R13240041A0	E	1	R17140071A0	2	17	R31840031A0
D	11	R13340011A0	A	8	R18040011A0	2	11	R31840041A0
D	12	R13340011B0	D	3	R18040021A0	2	12	R31840051A0
D	13	R13340011C0	A	14	R18040041A0	2	13	R31840061A0
D	21	R14040021A0	C_1	28	R18040041A0	2	14	R31840071A0

Index nummer

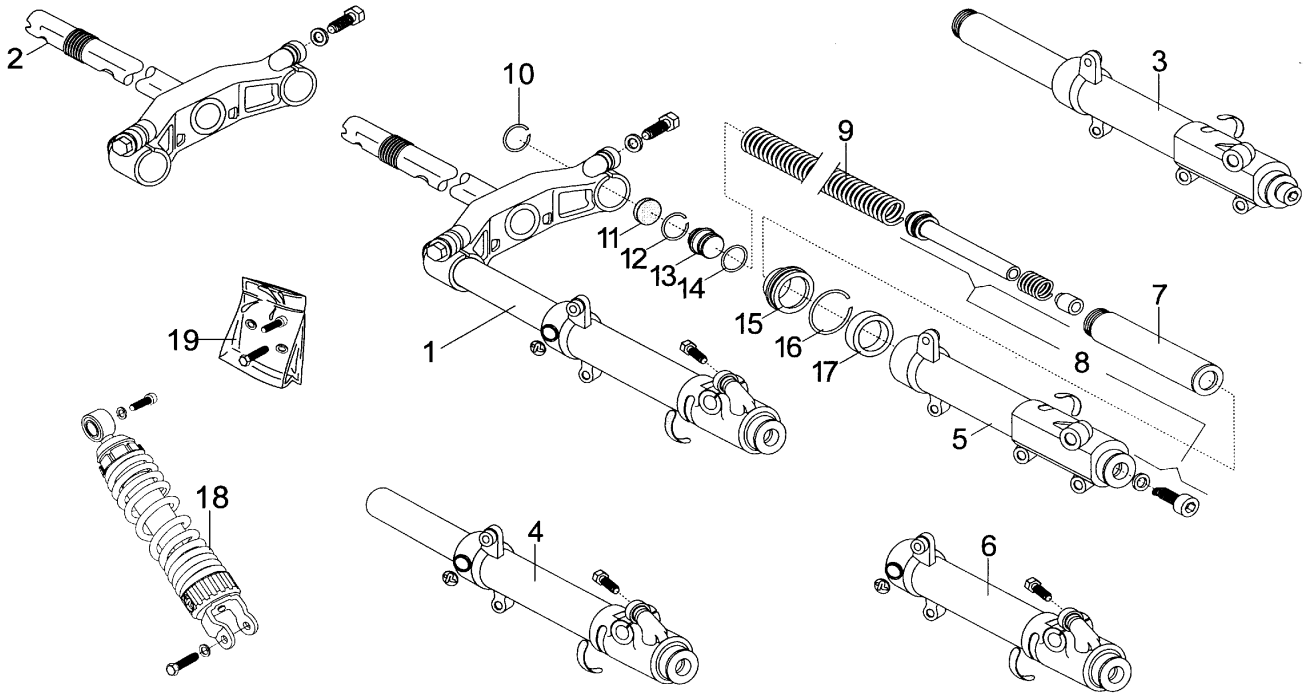
Blad	Pos.	Parts Number	Blad	Pos.	Parts Number	Blad	Pos.	Parts Number
2	9	R31840081A0	7	13	R51840021A0	12	14	R62010062AZ
2	10	R31840091A0	7	3	R51840031A0	12	15	R62010072AZ
2	19	R31890111A0	8	2	R52110101A0	12	9	R62010121AZ
2	18	R32110031A0	8	7	R52110111A0	12	8	R62010131AZ
3	15	R40140011A0	8	8	R52110121A0	12	6	R62010141AJ
4	2	R40140011A0	8	1	R52120211A0	12	6	R62010141AK
3	1	R41110011A0	9	7	R52140131A0	12	6	R62010141AL
3	2	R41240041A0	9	8	R52140141A0	12	7	R62020151AJ
3	7	R41340011A0	9	1	R52140161A0	12	7	R62020151AK
3	6	R41540011A0	9	11	R52190271A0	12	7	R62020151AL
4	1	R42110011AG	9	2	R52210111A0	12	5	R62020161AJ
4	3	R42240041A0	8	10	R52290121A0	12	5	R62020161AK
4	5	R42410021AZ	8	9	R52440041A0	12	5	R62020161AL
3	3	R42440031A0	9	9	R52440041A0	13	20	R63010031AZ
3	17	R42440041A0	8	4	R52440051A0	13	21	R63010041AZ
3	18	R42440051A0	9	10	R52440061A0	13	22	R63010051AZ
3	4	R42440061A0	8	11	R52610021AY	12	10	R63010061AZ
5	8	R43120021A0	9	4	R52610081A0	13	1	R64010031 BZ
5	10	R43140011A0	8	5	R52640081A0	12	17	R64010041AZ
3	8	R43220041A0	8	3	R52710011A0	12	11	R64010061AZ
3	10	R43340011A0	9	3	R52710021A0	12	12	R64010071AZ
5	24	R43410161AY	9	6	R52840031A0	13	14	R65020021A0
5	23	R43410201AY	9	5	R52840041A0	13	16	R65310011AJ
3	13	R43420091A0	12_1	26	R53110042A0	13	16	R65310011AK
3	9	R43440011A0	12_1	31	R53190051A0	13	16	R65310011AL
3	11	R43440031A0	12_1	28	R53210011AZ	13	10	R65340061A0
5	20	R43440051A0	12_1	27	R53340011A0	13	15	R65390031A0
5	11	R43440061A0	12_1	29	R53340021A0	13	17	R65390101AH
5	13	R43440071A0	12_1	30	R53340031A0	13	3	R66010011AZ
5	21	R43440081A0	3	5	R53410021A0	13	9	R66020011AZ
3	16	R43810011A0	6	5	R54120031A0	11	1	R67110071AZ
3	14	R43920011A0	7	5	R54120031A0	11	11	R67210031B0
3	12	R43920021A0	6	7	R54210031A0	11	2	R67410011A0
5	12	R43920031A0	7	10	R54310021A0	11	10	R67440041A0
4	10	R44440021A0	6	2	R54710011A0	7	7	R67510041A0
4	7	R44440031A0	1	21	R55140021A0	11	8	R67510041A0
4	13	R44440071A0	6	4	R55140021A0	7	12	R67540031A0
4	14	R44440081A0	1	5	R55210021A0	11	9	R67540031A0
5	14	R44520011 AO	1	3	R55440011A0	11	18	R67640021A0
5	15	R44540031 AO	1	4	R55440021A0	11	12	R67640041A0
5	22	R44590041A0	1	23	R55440051A0	11	14	R67740011A0
4	11	R44610011B0	13	19	R55440111A0	11	20	R67840051A0
4	15	R44710021AY	13	18	R55440121A0	11	19	R67840071A0
4	6	R44790031A0	1	22	R55440131A0	11	21	R67840081A0
5	5	R51110011A0	12_1	24	R60110011AY	13	5	R69010011AZ
6	3	R51110011A0	12_1	25	R60110041AY	13	7	R69010021 BZ
5	7	R51110021A0	13_1	32	R60110041AY	13	8	R69010031 BZ
6	1	R51110021A0	12	16	R60140031A0	13	2	R69010041AZ
7	1	R51240011A0	12	1	R61010011 BZ	13	12	R69010121AZ
7	6	R51340021A0	12	3	R61110012AZ	13	13	R69010161AJ
6	6	R51420012A0	12	4	R61110022AJ	13	13	R69010161AK
7	4	R51540011A0	12	4	R61110022AK	13	13	R69010161AL
7	2	R51640011A0	12	4	R61110022AL	13	11	R69020171AJ
7	11	R51740021A0	12	2	R61110031 BZ	13	11	R69020171AK
5	16	R51840011A0	12	2	R61110031AZ	13	11	R69020171AL
7	8	R51840011A0	12	13	R62010051BZ	10	13	R71110021A0

Index nummer

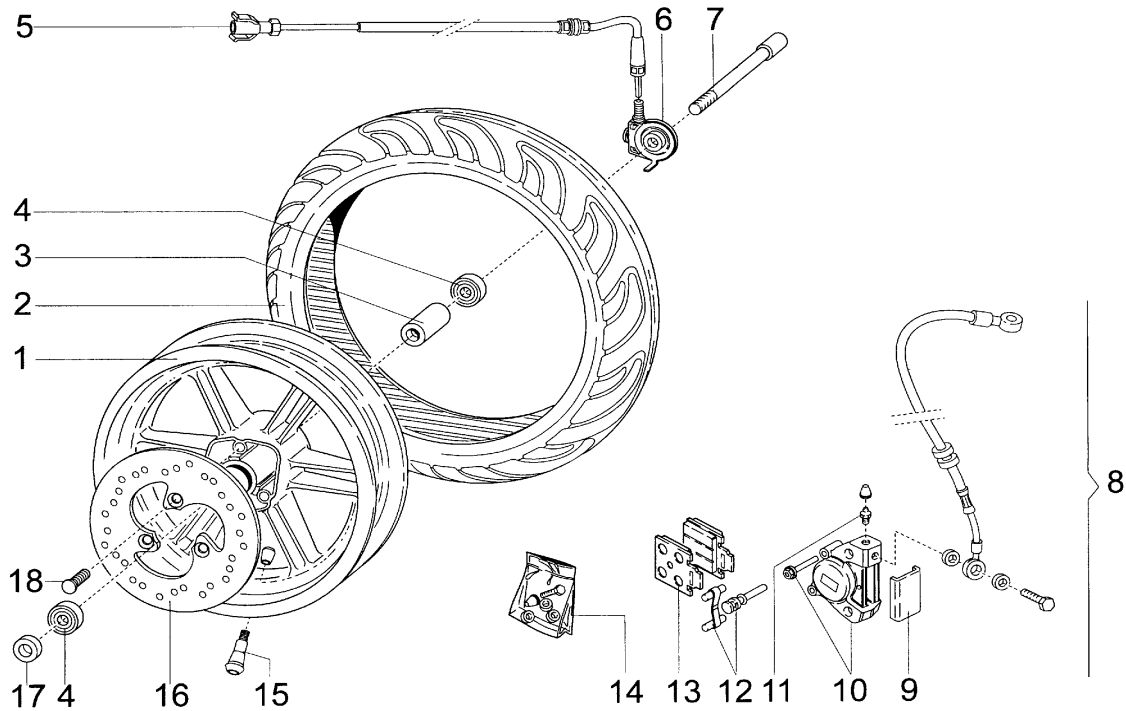
Blad	Pos.	Parts Number	Blad	Pos.	Parts Number	Blad	Pos.	Parts Number
10	14	R71340031A0	11	13	R95150207B			
10	15	R71340041A0	11	16	R95250023B			
10	1	R72020013A0	11	15	R95250041B			
10	3	R72110013A0	10	11	R95350257B			
10	2	R72210011A0	11	17	R95350257B			
10	5	R72340011A0						
10	10	R72410011A0						
10	12	R72410021A0						
10	9	R72510011A0						
10	8	R72540021A0						
10	4	R72540031A0						
7	9	R81040011A0						
5	19	R82020011A0						
5	18	R82020021A0						
14	2	R83010081A0						
14	3	R83010091A0						
13	6	R83010281A0						
14	1	R83020211A0						
13	4	R84010011A0						
10	7	R90250677B						
13_1	27	R90250677B						
11	23	R90250717B						
12	18	R90450416B						
12_1	22	R90450656B						
4	12	R90450726A						
13_1	28	R90459996B						
1	10	R90950957B						
11	3	R91050647B						
11	4	R91050656B						
12_1	23	R91050656B						
13_1	31	R91050656B						
1	7	R91250097B						
4	8	R912513478						
11	22	R91251347B						
4	4	R91350111 B						
1	25	R91450131A						
1	26	R91450291A						
4	9	R92050157A						
1	9	R92050207A						
13_1	30	R92050207A						
11	5	R92051007A						
11	7	R92051017A						
1	13	R92250111A						
1	18	R92353001A						
8	6	R93055026A						
12	19	R93055026A						
13_1	25	R93055026A						
13_1	26	R93055046A						
10	6	R93252026A						
12_1	21	R93252026A						
13_1	24	R93252026A						
11	6	R93254016A						
1	24	R95050017A						
13_1	29	R95050017A						
12_1	20	R95050022A						
13_1	23	R95050022A						



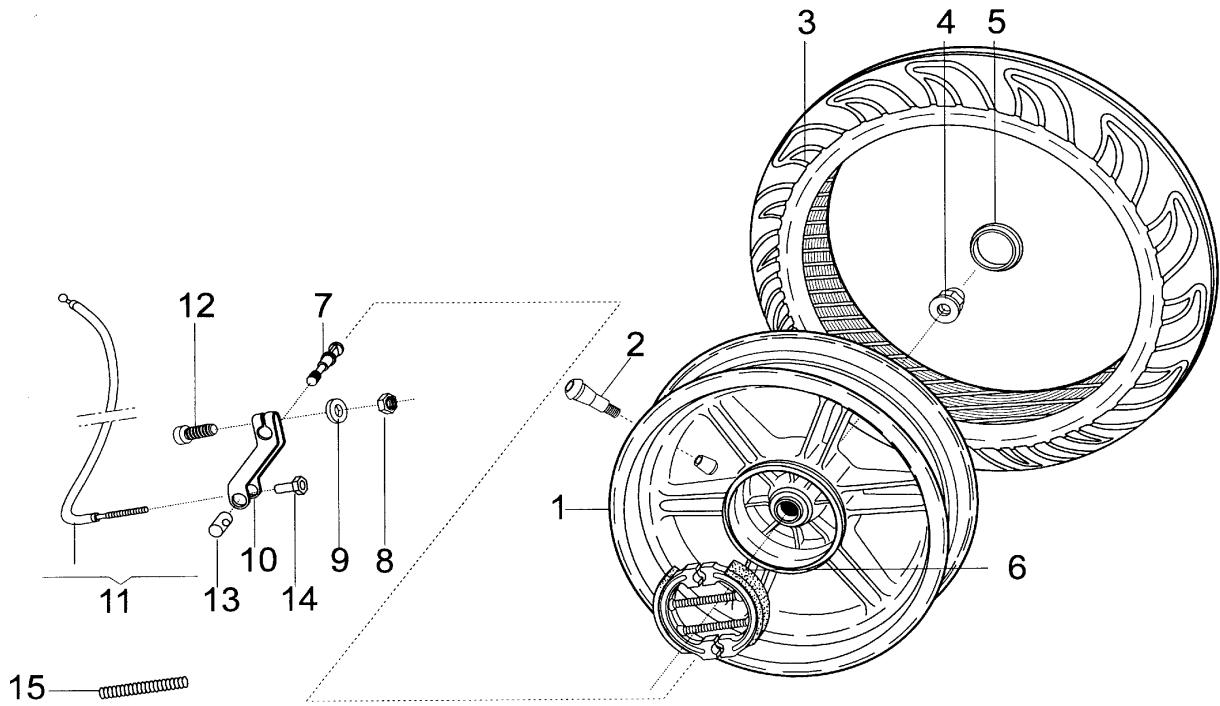
POS.	PARTS NUMBER	DESCRIPTION Spansk	DESCRIPTION Engelsk	NOTES	TG	Qty
1	05-0704	TELAIO VERNICIATO	PAINTED FRAME	-	5	1
2	05-0712	SERIE STERZO	HEAD BEARING KIT	-	1	1
3	05-1155	SERRATURA SELLA	SADELLÅS MED NYCKEL	-	0,2	1
4	05-1156	SERRATURA BAULETTO CON K142	LÅS BATTERILUCKA	-	0,1	1
5	05-1154	COPPIA CHIAVE	NYCKELÄMNE	-	-	1
6	05-0764	SET BICCHIERINI E MOLLE	CAPS AND SPRINGS	-	0,8	8
7	05-1655	DADO M12X1,25 AUT.AL	LOCKNUT	-	-	1
8	05-0760	ATTACCO MOTORE COMPLETO	ENGINE CLAMP ASSEMBLY	-	1	1
9	05-1664	RONDEL. 10,5X21X2D8	WASHER	-	-	3
10	05-1651	BULLONE M10X60TE 8.8D8	BOLT	-	-	2
11	05-0755	GRUPPO ATT. MOTORE VERN. SIL	PAINTED ENGINE CLAMP.ASS.	-	1	1
12	05-0765	PERNO FIS. MOTORE M12X250	ENGINE FIXING PIN	-	0,1	1
13	05-1667	RONDEL. DENT.INT.M12	LOCK WASHER	-	-	2
14	05-0744	CAVALLETTO COMPLETO	STAND ASSEMBLY	-	0,2	1
15	?	GOMMINO STOPPER	STOPPER RUBBER	-	-	1
16	05-0741	GR. CAVALLETTO VERNICIATO	PAINTED STAND ASSEMBLY	-	0,2	1
17	05-0751	KIT MOLLE CAVALLETTO	STAND SPRING KIT	-	-	1
18	05-1668	COPPIGLIA A MOLLA	SPRING SPLIT PIN	-	-	1
19	05-0754	RONDELLA IN GOMMA	RUBBER WASHER	-	-	1
20	05-0752	PERNO+PIASTRINO	PIN + PLATE	-	-	1
21	05-1152	COMMUT. BLOCC.	STEER. BLOCK COMMUT.	-	0,6	1
22	05-1160	VITE ZADI	ZADI SCREW	-	-	1
23	05-1158	FRONT. CHIAVE SERIGR.	COVER	-	-	1
24	05-1676	PIASTRINA M6 DB	PLATE	-	-	6
25	05-1659	DADO IN GABBIA M6 ZB	NUT IN CAGE M6 ZB	-	-	2
26	05-1661	DADO IN GABBIA M6 ZB	NUT IN CAGE M6 ZB	-	-	2



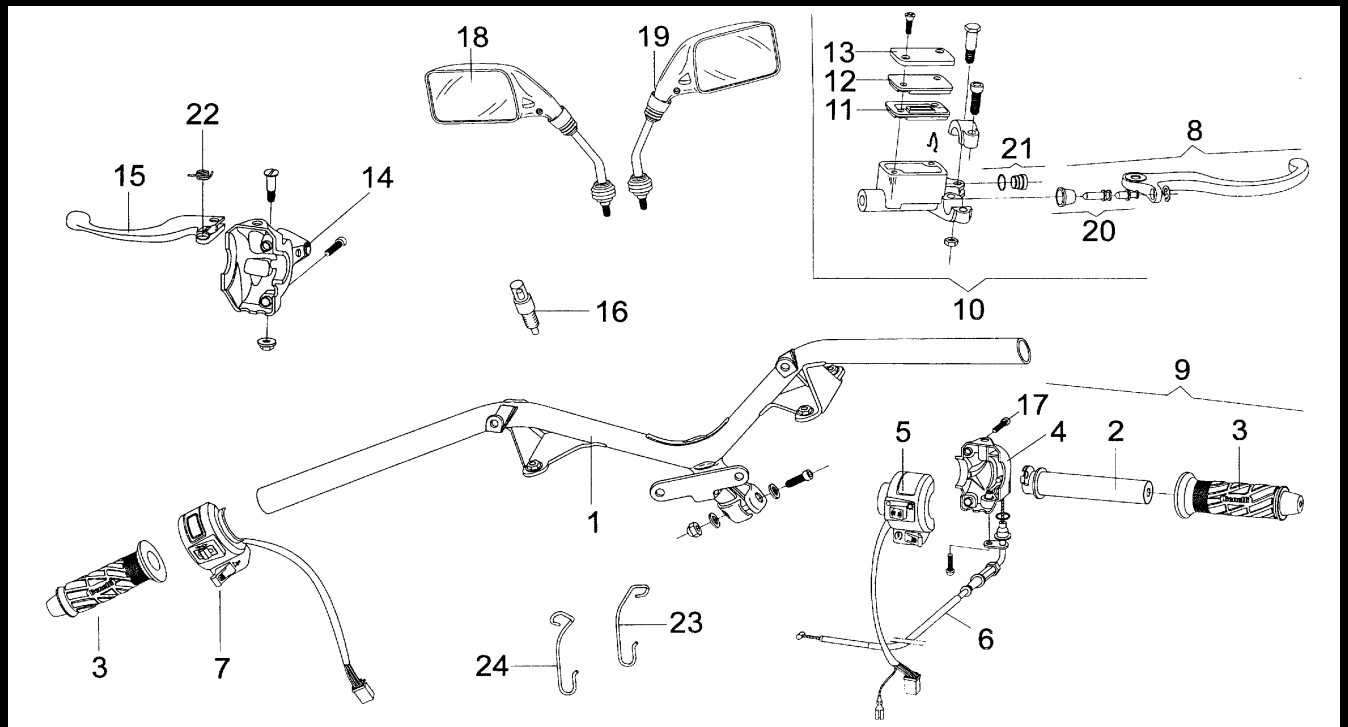
POS.	PARTS NUMBER	DESCRIPTION Spansk	DESCRIPTION Engelsk	NOTES	TG	Qty
1	05-0777	FORCELLA ANT. CON MEDAGLIE	FRONT FORK WITH MEDALS	-	0,9	1
2	05-0780	GRUPPO TRAPEZIO	BOTTOM YOKE	-	1	1
3	05-0791	GRUPPO PORTA RUOTA DX	VÄNSTER GAFFELBEN	-	0,3	1
4	05-0792	GRUPPO PORTA RUOTA SX	HÖGER GAFFELBEN	-	0,3	1
5	05-0783	GRUPPO GAMBA DX	LEFT SLIDER	-	1,1	1
6	05-0787	GRUPPO GAMBA SX	RIGHT SLIDER	-	1,1	1
7	05-0806	GRUPPO TUBO	STANCHION	-	1,1	1
8	05-0793	GRUPPO STELO	FORK DAMPER	-	1,1	1
9	05-0816	MOLLA FORCELLA	FORK SPRING	-	1,1	1
10	05-0817	ANELLO FERMA TUBO	PIPE LOCKING RING	-	1,1	1
11	05-0812	PROTEZIONE	GUARD	-	1,1	1
12	05-0813	ANELLO FERMA TAPPO	PLUG LOCKING RING	-	1,1	1
13	05-0814	TAPPO PER TUBO	PIPE PLUG	-	1,1	1
14	05-0815	O-RING 3087	O RING 3087	-	1,1	1
15	05-0809	CUFFIA PARAOLIO	OIL-SEAL COVER	-	1,1	1
16	05-0810	ANELLO	RING	-	1,1	1
17	05-0811	PARAOLIO	OIL SEAL	-	1,1	1
18	05-0840	AMMORTIZZATORE IDR.	HYDRAULIC SHOCK ABSORB.	-	0,3	1
19	05-0832	KIT VITERIE AMMORTIZZATORE	SCREWS FOR THROTTLE	-	-	1



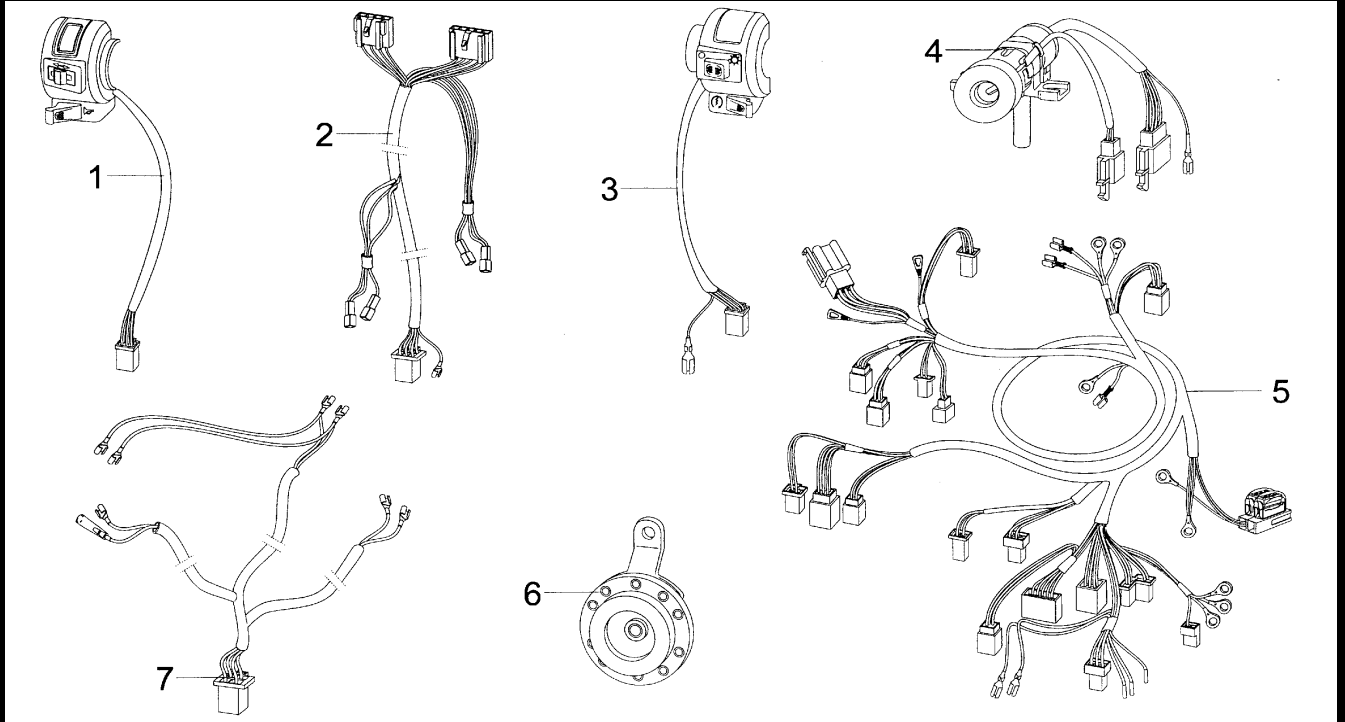
POS.	PARTS NUMBER	DESCRIPTION Spansk	DESCRIPTION Engelsk	NOTES	TG	Qty
1	05-0853	RUOTA ANTERIORE DISCO NUDA	BARE DISC FRONT WHEEL	-	0,6	1
2	05-0859	PNEUMATICO 120/7012 MICHELIN	120/7012 MICHELIN TYRE	-	0,3	1
3	05-0893	DISTANZIALE CUSCINETTO ANELLI	RING/BEARING SPACER	-	0,5	1
4	05-0896	CUSCINETTO RADIALE	RADIAL BEARING	-	0,5	2
5	05-1126	TRASMISSIONE TACHIMETRO	SPEEDOMETER CABLE	-	0,5	1
6	05-0871	RINVIO CONTACHILOMETRI	SPEEDO DRIVE	-	0,2	1
7	05-0863	PERNO RUOTA	WHEEL PIN	-	-	1
8	05-0915	GRUPPO TUBO FRENO COMP.ANT.	BROMSSLANG FRAM	-	0,7	1
9	05-0932	CUFFIA	COVER	-	-	1
10	05-0918	PINZA FRENO ANTERIORE DISCO	DISC FRONT BRAKE CALIPER	-	0,2	1
11	05-0933	VITE PER SPURGO PINZA ANT.	FRONT CALIPER DRAIN SCREW	-	-	1
12	05-0949	KIT PIASTRA, PERNO, SEEGER	PLATE, PIN, SEEGER KIT	-	-	1
13	05-0930	COPPIA PASTIGLIE FRENO ANT.	BROMSBELÄGG FRAM	-	-	1
14	05-0948	KIT GUARNIZIONI RUOTA ANTER.	FRONT WHEEL GASKET KIT	-	-	1
15	05-0849	VALVOLE TUBEIESS TR	TR TUBELESS VALVES	-	0,2	1
16	05-0944	DISCO FRENO DIAMETRO190	BRAKE DISC D.190	-	0,3	1
17	05-0894	CUSCINETTO RADIALE	RADIAL BEARING	-	0,5	1
18	05-0895	VITE FISSAGGIO DISCO	DISC LOCKING SCREW	-	-	3



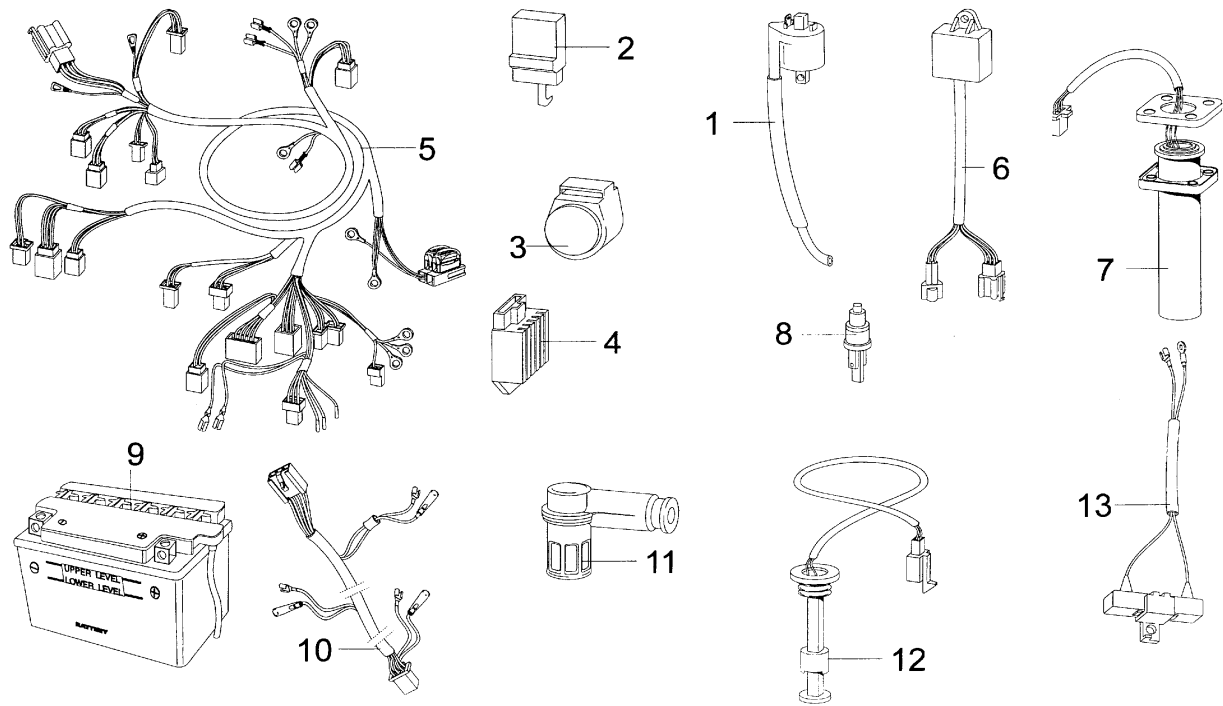
POS.	PARTS NUMBER	DESCRIPTION Spansk	DESCRIPTION Engelsk	NOTES	TG	Qty
1	05-0874	RUOTA POST. TAMBURO	BAKHJUL M TRUMMA	-	0,6	1
2	05-0849	VALVOLE TUBELESS TR	TR TUBELESS VALVES	-	0,2	1
3	05-0883	PNEUMATICO 130170 12 M/DEXTER	130/7012 M/DEXTER TYRE	-	0,6	1
4	05-1658	DADO AUTOFR. M14X1,5 DAX	LOCKNUT	-	-	1
5	05-0892	TAPPO RUOTA	TÄCKBRICKA BAKHJUL	-	-	1
6	05-0982	COPPIA CEPI CON MOLLA (KIT)	BRAKE SHOE PAIR WITH SPRING	-	0,6	1
7	05-0964	OLIVA	EXENTERBROMS	-	0,6	1
8	05-1657	DADO M6 AUTOB. BASSO	LOW LOCKNUT	-	-	1
9	05-1663	RONDEL. 6,4X12,5X1,6 DB	WASHER	-	-	1
10	05-0963	LEVA FRENO TAMBURO POST.	REAR DRUM BRAKE LEVER	-	0,1	1
11	05-0979	TRASMISSIONE FRENO POST.	REAR BRAKE DRIVE	-	0,6	1
12	05-1647	VITE M6X35 TBEI DN	SCREW	-	-	1
13	05-0968	BARILETTO	BUSSNING BROMSARM	-	-	1
14	05-0969	VITE DI REGISTRO	ADJUSTING SCREW	-	-	1
15	05-0981	MOLLA FRENO TAMBURO	REAR DRUM BRAKE SPRING	-	-	1



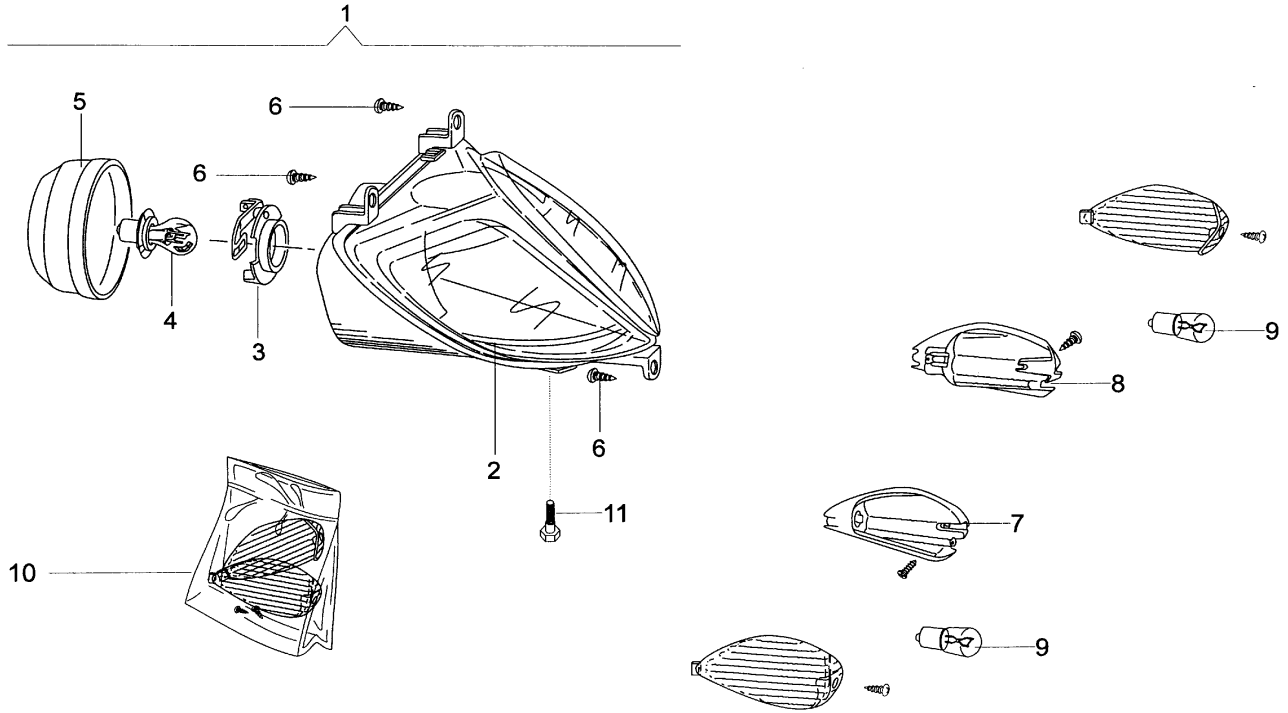
POS.	PARTS NUMBER	DESCRIPTION Spansk	DESCRIPTION Engelsk	NOTES	TG	Qty
1	05-0718	MANUBRIO VERNICIATO	PAINTED HANDLEBAR	-	0,6	1
2	05-0724	TUBO COMANDO GAS	THROTTLE CONTROL PIPE	-	0,1	1
3	05-0732	COPPIA MANOPOLE	HANDGRIP PAIR	-	-	1
4	05-0735	PORTABLOCCHETTO DX	RIGHT BLOCK HOUSING	-	0,1	1
5	05-0988	BLOCCHETTO ELETTRICO DX	RIGHT ELECTRIC BLOCK	-	0,4	1
6	05-0723	TRASMISSIONE GAS	THROTTLE CABLE	-	0,4	1
7	05-0989	BLOCCHETTO ELETTRICO SX	LEFT ELECTRIC BLOCK	-	0,4	1
8	05-0908	LEVA FRENO DISCO	DISC BRAKE LEVER	-	-	1
9	05-0726	COMANDO GAS COMPLETO	THROTTLE CONTROL ASSEMBLY	-	-	1
10	05-0909	POMPA FRENO ANTERIORE	FRONT BRAKE PUMP	-	0,5	1
11	05-0935	CAPPEL. POM. FRENO ANTIPOST.	F. /R. BRAKE PUMP CAP	-	-	1
12	05-0950	KIT GUARNIZ.COP. POMPA AJP.	PUMP COVER GASKET KIT	-	-	1
13	05-0936	COPERCHIO POMPA FRENI AJP.	LOCK BROMSOLJA	-	-	1
14	05-0974	COM. PORTALEVA SX TAMBURÖ	LEFT LEVER CONTROL - DRUM	-	0,2	1
15	05-0976	LEVA SX	LEFT LEVER	-	-	1
16	05-1022	INTERRUTTORE LUCE ARRESTÖ	STOP LIGHT SWITCH	-	0,3	2
17	05-0737	PERNO DI FISSAGGIO	FIXING PIN	-	-	2
18	05-1607	SPECCHIO SX	BACKSPEGEL VÄNSTER	-	-	1
19	05-1606	SPECCHIO DX	BACKSPEGEL HÖGER	-	-	1
20	05-0934	PISTONE POMPA FRENO	BRAKE PUMP PISTON	-	0,7	1
21	05-0937	TAPPO LIV. OLIO POMPA FR. A/P	PLUG FOR BRAKE PUMP OIL LEVEL	-	-	1
22	05-0977	MOLLA LEVA FRENO POSTIFAMB.	R:AR/DRUM BRAKE LEVER SPRING	-	-	1
23	05-0928	PASSACAVO CONTAKM	HÅLLARE HAST.MÄT. WIRE	-	-	1
24	05-0924	GUIDA TUBO FRENO ANT. INF.	HÅLLARE BROMSSLANG	-	-	1



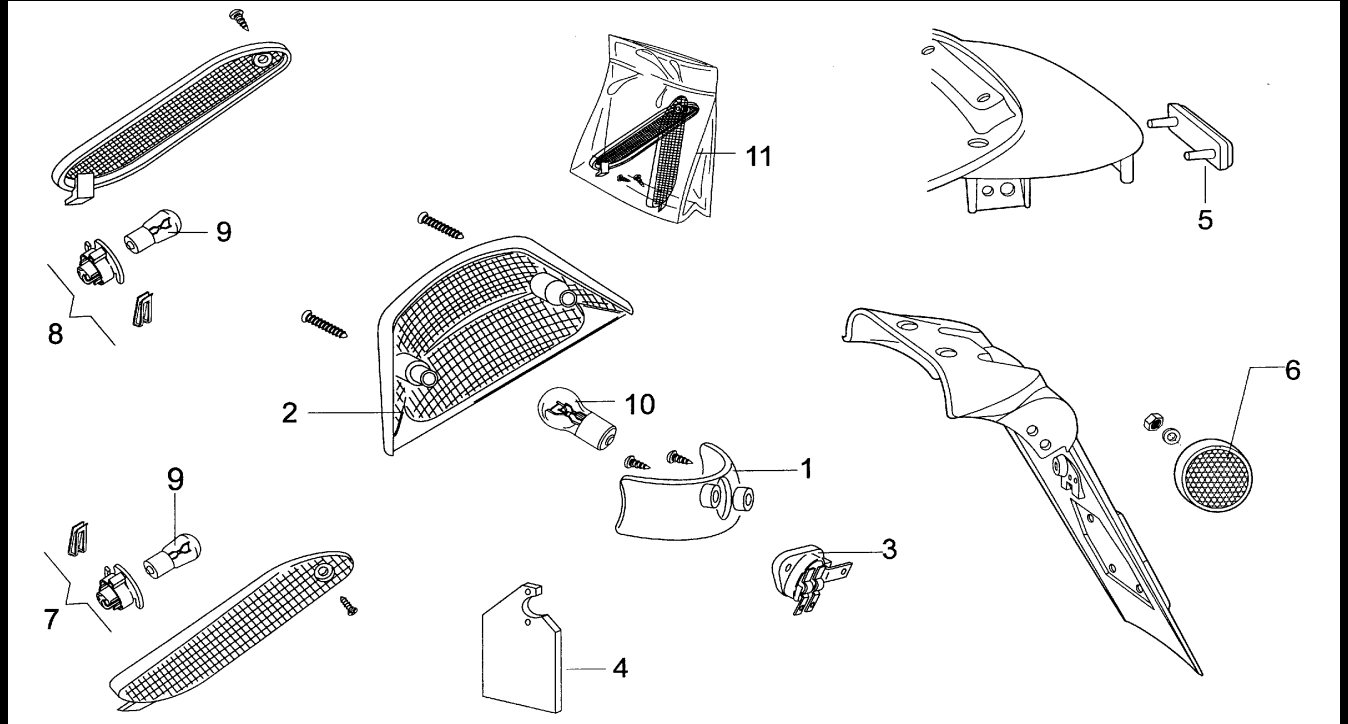
POS.	PARTS NUMBER	DESCRIPTION Spansk	DESCRIPTION Engelsk	NOTES	TG	Qty
1	05-0989	BLOCCHETTO ELETTRICO SX	LEFT ELECTRIC BLOCK	-	0,4	1
2	05-1145	CABLAGGIO CRUSCOTTO	DASHBOARD WIRING	-	0,4	1
3	05-0988	BLOCCHETTO ELETTRICO DX	RIGHT ELECTRIC BLOCK	-	0,4	1
4	05-1152	COMMUT. BLOCC.	TÄNDNINGSLÅS	-	0,6	1
5	05-1135	CABL. COMPLETO	COMPLETE WIRING	-	2	1
6	05-1007	GR. AWIS. ACUSTICO + STAFFA	HORN + BRACKET ASS.	-	-	1
7	05-1137	IMP. FARO E FRECCHE ANT.	FRNT DIR.IND.+HEADLMP ASS.	-	-	1



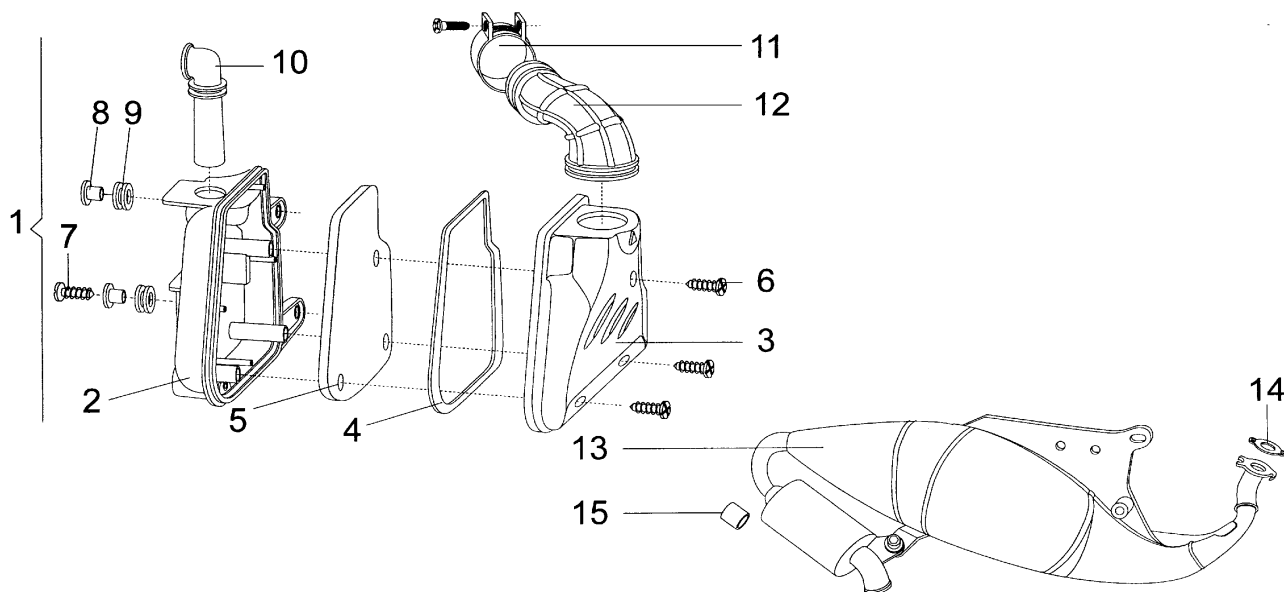
POS.	PARTS NUMBER	DESCRIPTION Spansk	DESCRIPTION Engelsk	NOTES	TG	Qty
1	05-0998	BOBINA	COIL	-	0,2	1
2	05-1013	RELAIS CON SUPPORTO	WITH SUPPORT RELAY	-	0,1	1
3	05-1024	INTERMITTENZA	RELAY	-	0,2	1
4	05-1010	REGOLATORE	REGULATOR	-	0,2	1
5	05-1135	CABL. COMPLETO	COMPLETE WIRING	-	2	1
6	05-1004	CDI	CDI	-	-	1
7	05-1380	SONDA LIVELLO CARBURANTE	BRÄNSLEARMATUR	-	0,7	1
8	05-1022	INTERRUTTORE LUCE ARRESTÖ	STOP LIGHT SWITCH	-	0,3	2
9	05-1602	BATTERIA	BATTERY	-	-	1
10	05-1142	IMP. FARO E FRECCHE POST.	REAR DIR.IND.+HEADLMP ASS.	-	0,6	1
11	05-1016	PIPETTA CANDELA	SPARK PLUG TUPE	-	-	1
12	05-1382	SONDA LIVELLO OLIO MM125	OIL LEVEL PROBE MM125	-	0,8	1
13	05-1023	RESISTENZA CABLATA	WIRING	-	-	1



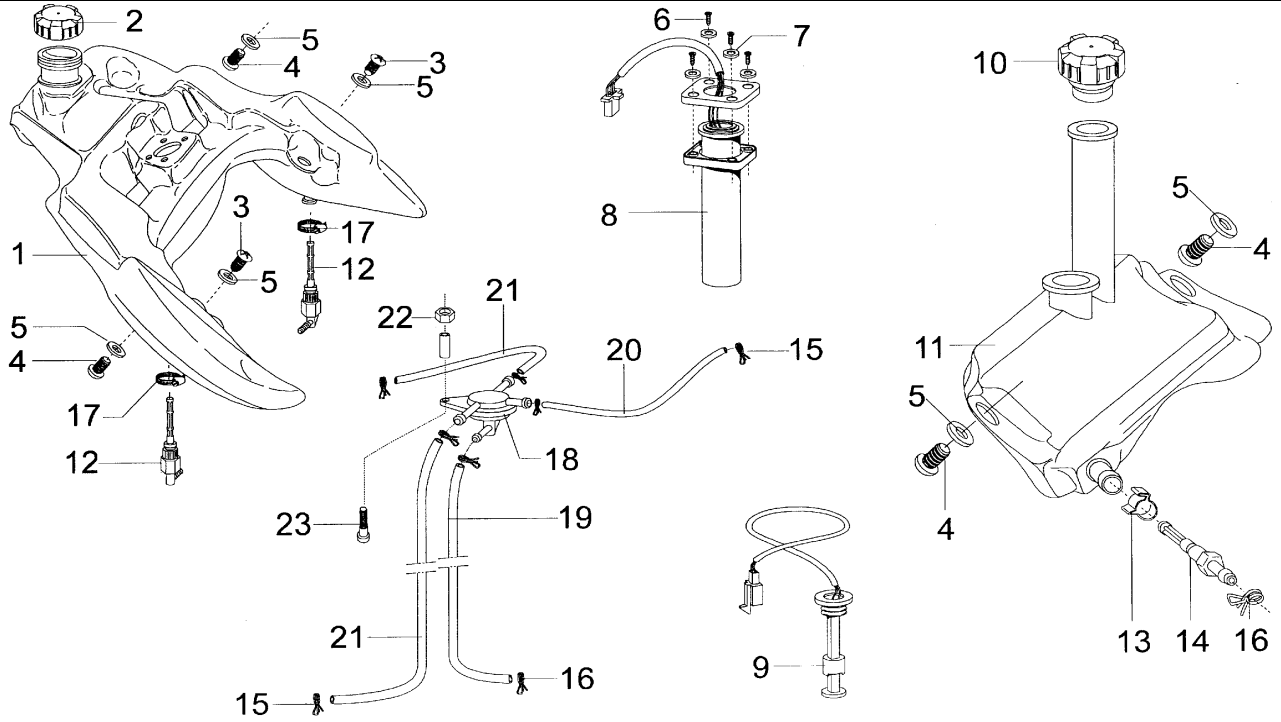
POS.	PARTS NUMBER	DESCRIPTION Spansk	DESCRIPTION Engelsk	NOTES	TG	Qty
1	05-1043	GRUPPO FARO ANTERIORE	FRONT LIGHT ASSEMBLY	-	-	1
2	05-1038	FARO ANTERIORE	FRONT LIGHT	-	-	1
3	05-1103	PORTALAMPAOA	LAMPSOCKET	-	-	1
4	05-1082	LAMPADINA FARO ANT.12V /15W	GLÖDLAMPA	-	0,4	1
5	05-1096	CAPPUCCIO PER FARO	LAMP HOLDER CAP	-	0,4	1
6	05-1671	VITE 4,8X16 AUT. DN	SCREW	-	-	3
7	05-1039	PARABOLA LD. ANT. DX +VITE	R. FRNT IND. PARABOLA+SCREW	-	-	1
8	05-1040	PARABOLA LD. ANT. SX + VITE	L. FRNT IND. PARABOLA+SCREW	-	-	1
9	05-1081	LAMPADINA IND.DIR.12V 10W	INDICATOR LAMP	-	0,1	2
10	05-1073	CONFEZIONE VETRI LD. ANTER.	BLINKERSGLAS SATS	-	-	1
11	05-1089	VITE REGOLAZIONE FARO	LIGHT REGULATING SCREW	-	0,4	1



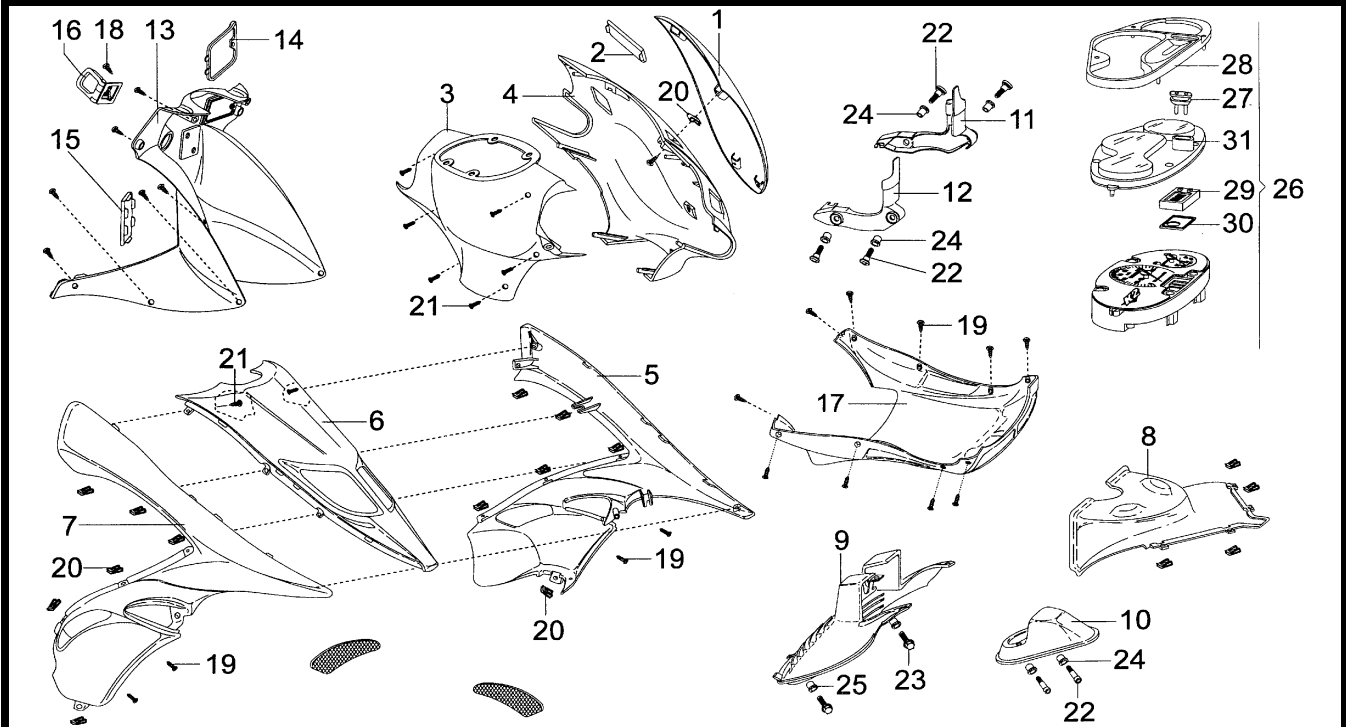
POS.	PARTS NUMBER	DESCRIPTION Spansk	DESCRIPTION Engelsk	NOTES	TG	Qty
1	05-1052	PARABOLA FARO POST. + VITT	TAIL LAMP PARABOLA+SCREWS	-	-	1
2	05-1070	VETRO FARO POSTERIORE + VITI	BAKSLJUSGLAS MED SKRUV	-	-	1
3	05-1104	PORTALAMPADA POSTERIORE	REAR LAMP SOCKET	-	-	1
4	05-1091	PROTEZIONE FARO POSTERIORE	TAIL LAMP PROTECTION	-	-	1
5	05-1110	CATADIOTTRO POSTERIORE	REAR REFLECTOR	-	-	1
6	05-1109	CATADIOTTRO LATERALE	SIDE REFLECTOR	-	0,1	2
7	05-1050	PARABOLA LD. POST. DX+CLIP	R. REAR IND. PARABOLA+CLIP	-	-	1
8	05-1051	PARABOLA LD. POST. SX + CLIP	L. REAR IND. PARABOLA+CLIP	-	-	1
9	05-1081	LAMPADINA IND.DIR.12V tOW	INDICATOR LAMP	-	0,1	2
10	05-1083	LAMPADINA FARO POST.12V	REAR LAMP	-	0,1	1
11	05-1065	CONFEZIONE VETRI LD. POST	REAR LIGHT COVER KIT	-	-	1



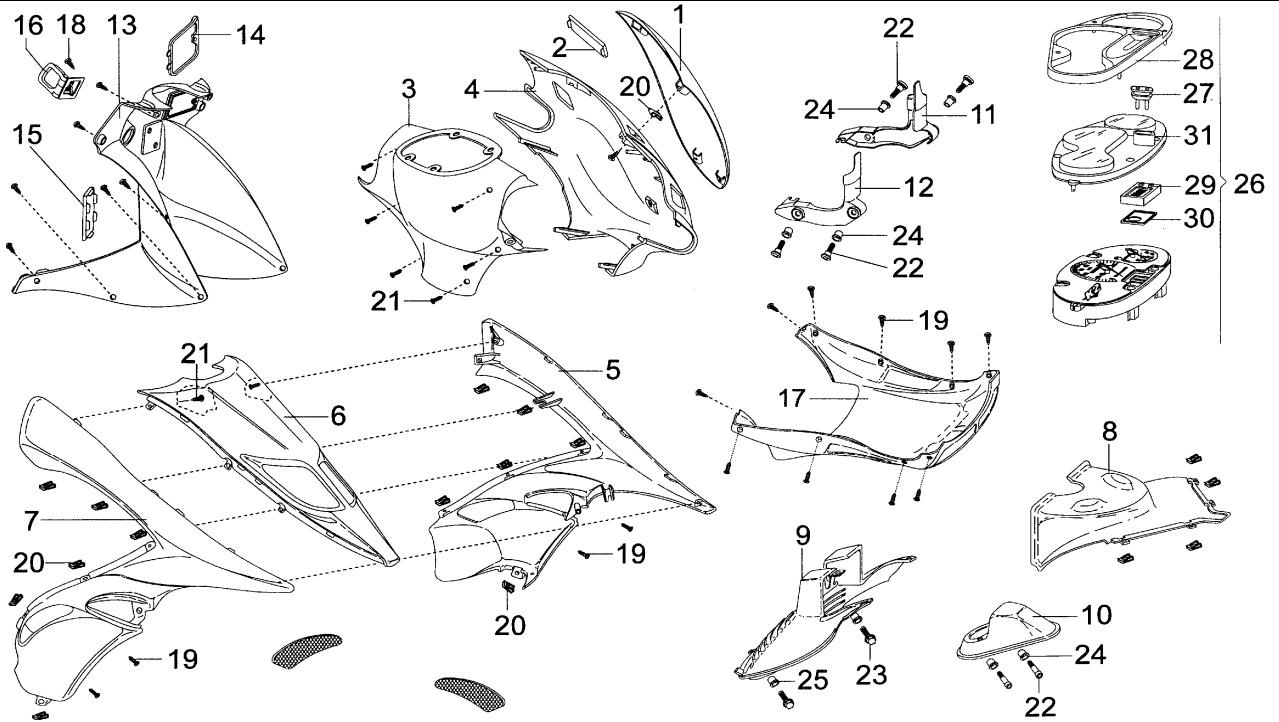
POS.	PARTS NUMBER	DESCRIPTION Spansk	DESCRIPTION Engelsk	NOTES	TG	Qty
1	05-1546	SCATOLA FILTRO COMPLETA	FILTER BOX ASSEMBLY	-	0,4	1
2	05-1556	SCATOLA FILTRO ARIA	AIR FILTER BOX	-	-	1
3	05-1551	COPERCHIO SCATOLA FILTRO	FILTER CASE COVER	-	-	1
4	05-1576	GUARNIZIONE SCATOLA FILTRO	FILTER BOX GASKET	-	0,1	1
5	05-1562	ELEMENTO FILTRANTE	FILTER CARTRIDGE	-	0,3	1
6	05-1673	VITE TMT 4X14 DN P TRUCIOLARE	SCREW	-	-	3
7	05-1640	VITE M6X20 TCEI DB	SCREW	-	-	2
8	05-1575	COLLARINO	CUP	-	-	2
9	05-1571	GOMMINO	RUBBER	-	-	2
10	05-1565	TUBO ARIA	AIR PIPE	-	-	1
11	05-1688	FASCETTA A VITE 44-48	SCREW CLAMP	-	-	1
12	05-1566	COLLETTORE	LUFTRENARSLANG	-	0,3	1
13	05-1516	MARMITTA SENZA COPRIMARM.	AVGAS UTAN KAT. ÄLDRE	-	0,2	1
13	05-1768		AVGASSYSTEM KATALYSATOR			
14	05-1537	GUARNIZIONE SCARICO	EXHAUST PIPE GASKET	-	0,2	1
15	05-1538	GUARNIZIONE SILENZIATORE	SILENCER GASKET	-	-	1



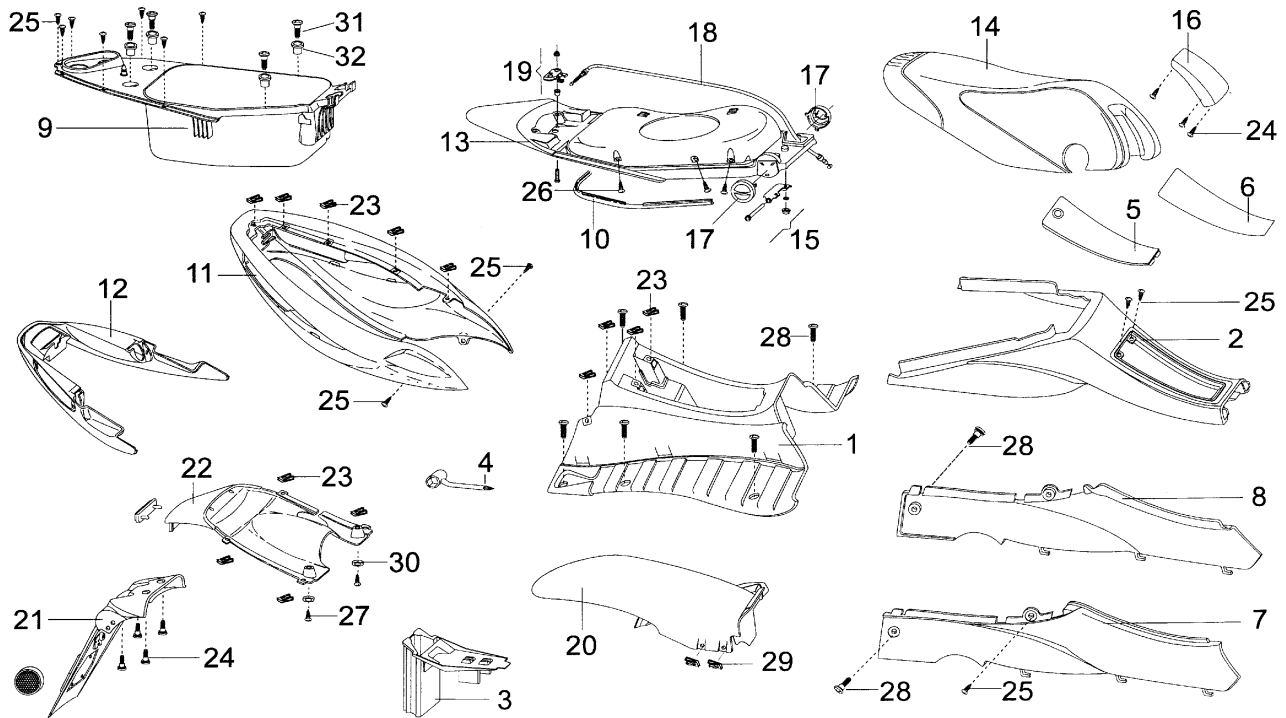
POS.	PARTS NUMBER	DESCRIPTION Spansk	DESCRIPTION Engelsk	NOTES	TG	Qty
1	05-1360	SERBATOIO BENZINA	FUEL TANK	-	0,9	1
2	05-1370	TAPPO SERBATOIO CARB. VERDE	FUEL FILLER CAP	-	-	1
3	05-1652	VITE M6X14 TEFL 8.8 DB	SCREW	-	-	2
4	05-1653	VITE M6X16 TEFL 8.8 DN	SCREW	-	-	4
5	05-1665	R. 6,4X18X1,6 DB	WASHER	-	-	6
6	05-1675	VITE 5X16 TCIC DN P TRUC.	SCREW	-	-	4
7	05-1666	RONDELLA 5X15X1,6 DB	WASHER	-	-	4
8	05-1380	SONDA LIVELLO CARBURANTE	BRÄNSLEARMATUR	-	0,7	1
9	05-1382	SONDA LIVELLO OLIO MM125	OIL LEVEL PROBE MM125	-	0,8	1
10	05-1375	TAPPO SERBATOIO OLIO	OIL FILLER CAP	-	-	1
11	05-1368	SERBATOIO OLIO	OIL TANK	-	0,8	1
12	05-1386	RACCORDO	JOINT	-	-	2
13	05-1679	FASCETTA CLICK 86-160	CLICK CLAMP	-	-	1
14	05-1388	RACCORDO CON FILTRO	BRÄNSLEANSLUTNING TANK	-	-	1
15	05-1685	FASCETTA A MOLLA	SPRING CLAMP	-	-	6
16	05-1684	FASCETTA A MOLLA D.7,5	SPRING CLAMP	-	-	3
17	05-1688	FASCETTA A VITE 44-48	SCREW CLAMP	-	-	2
18	05-1384	RUBINETTO A DEPRESSIONE	FUEL TAP	-	0,7	1
19	05-1402	TUBO DEPRESSIONE 4X8X230	DEPRESSION PIPE	-	-	1
20	05-1400	TUBO BENZINA D. 5X8X230	FUEL PIPE	-	-	1
21	05-1403	TUBO BENZINA 5X8X370	FUEL PIPE	-	-	2
22	05-1657	DADO M6 AUTOB. BASSO	LOW LOCKNUT	-	-	1
23	05-1642	VITE M6X30 TCEI DN UNI 5931	SCREW	-	-	1



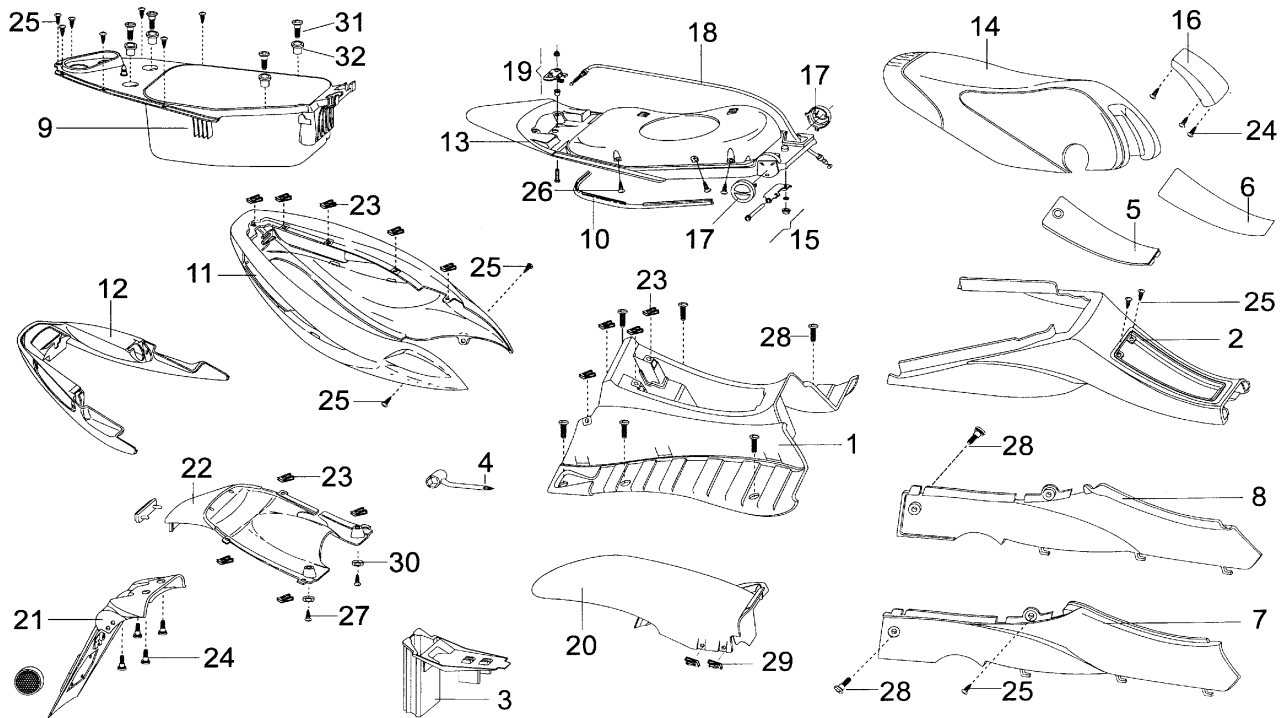
POS.	PARTS NUMBER	DESCRIPTION Spansk	DESCRIPTION Engelsk	NOTES	TG	Qty
1	05-1172	CUPOLINO NERO MASSA	WEIGHT BLACK CAP	-	-	1
2	05-1188	COPERCHIETTO POMPA FRENO	BRAKE PUMP COVER	-	-	1
2	05-1189	COPERCHIETTO POMPA FRENO	BRAKE PUMP COVER	-	-	1
3	05-1174	COPRIMANUBRIO POSTERIORE	REAR HANDLEBAR COVER	-	0,3	1
4	05-1183	COPRIMANUBRIO ANT. NERO HELL	FRNT HNDLBAR CVR-HELL BLACK.	-	-	1
4	05-1184	COPRIMANUBRIO ANT. GIALLO L.	FRNT HNDLBAR CVR-LEMON YELL.	-	-	1
4	05-1185	COPRIMANUBRIO ANT. BLU SPIRIT	FRNT HNDLBAR CVR-SPIRIT BLUE	-	-	1
5	05-1270	SEMISCUDO SX NERO	BLACK LEFT HALFSHIELD	-	-	1
5	05-1271	SEMISCUDO SX GIALLO	YELLOW LEFT HALFSHIELD	-	-	1
5	05-1272	SEMISCUDO SX BLU	BLEU LEFT HALFSHIELD	-	-	1
6	05-1221	SCUDO CENTRALE NERO HELL	CENTRAL SHIELD	-	0,4	1
6	05-1222	SCUDO CENTRALE GIALLO LEMON	CENTRAL SHIELD	-	0,4	1
6	05-1223	SCUDO CENTRALE BLU SPIRIT	CENTRAL SHIELD	-	0,4	1
7	05-1264	SEMISCUDO DX NERO	BLACK RIGHT HALFSHIELD	-	0,7	1
7	05-1265	SEMISCUDO DX GIALLO	YELLOW RIGHT HALFSHIELD	-	0,7	1
7	05-1266	SEMISCUDO DX BLU	BLEU RIGHT HALFSHIELD	-	0,7	1
8	05-1220	COPERTURA INFERIORE SCUDO	LOWER SHIELD COVER	-	-	1
9	05-1219	SCUDO INFERIORE	LOWER SHIELD	-	-	1
10	05-1288	PARAFANGO ANTERIORE	FRONT MUDGUARD	-	-	1
11	05-1305	PROTEZIONE FORCELLA SX	L. FORK GUARD	-	-	1
12	05-1310	PROTEZIONE FORCELLA DX	R.FORK GUARD	-	-	1
13	05-1215	PARAGAMBE	LEGSHIELD	-	-	1
14	05-1216	SPORTELLA PARAGAMBE	LEG SHIELD DOOR	-	-	1
15	05-1218	COPERCHIO COPRIPUNZONATURA	COVER	-	-	1
16	05-1168	GANCIO PORTABORSA	BAG HOLDER HOOK	-	-	1
17	05-1306	PUNTONE	LOWER COWLING	-	-	1
18	05-1644	VITE M5X16 TBEI DN	SCREW	-	-	2
19	05-1671	VITE 4,8X16 AUT. DN	SCREW	-	-	38



POS.	PARTS NUMBER	DESCRIPTION Spansk	DESCRIPTION Engelsk	NOTES	TG	Qty
20	05-1677	PIASTRINA 4,8 AUTOF. ZN	PLATE	-	-	30
21	05-1673	VITE TMT 4X14 DN P TRUCIOLARE	SCREW	-	-	14
22	05-1646	VITE M6X16 TBEI DN	SCREW	-	-	4
23	05-1653	VITE M6X16 TEFL 8.8 DN	SCREW	-	-	4
24	05-1165	BOCCOLA CON BATTUTA H 4	BUSHING WITH STOP H 4	-	-	6
25	05-1166	BOCCOLA CON BATTUTA H 6	BUSHING WITH STOP H 6	-	-	2
26	05-1115	CRUSCOTTO ARIA	DASHBOARD PANEL	-	0,5	1
27	05-1122	GOMMINO COMANDO OROLOGIO	CLOCK COVER	-	-	1
28	05-1120	MASCHERINA CRUSCOTTO	DASHBOARD MASK	-	-	1
29	05-1123	OROLOGIO DIGITALE	DIGITAL CLOCK	-	-	1
30	05-1124	PROT. STRUM. COM. OROLOGIO	CLOCK PROTECTION	-	-	1
31	05-1119	VETRO CRUSCOTTO	DASHBOARD GLASS COVER	-	-	1



POS.	PARTS NUMBER	DESCRIPTION Spansk	DESCRIPTION Engelsk	NOTES	TG	Qty
1	05-1305	PEDANA POGGIAPIEDI	FOOT REST BOARD	-	0,2	1
2	05-1441	COPRITUNNEL(SO7TOSELLA)	COVER(UNDERSEAT)	-	0;1	1
3	05-1351	VASCETTA PORTAOGGETTI	VERKTYGSLÅDA/BATT,LOCK	-	-	1
4	05-1635	CHIAVE POLIFUNZIONALE	MULTIFUNCTION TOOL	-	-	1
5	05-1427	SPORTELLO PORTAOGGETTI	DOOR	-	-	1
6	05-1614	STIKER PER SPORTELLO PORTAOGG.	STICKER FOR GLOVE COMP. DOOR	-	-	1
7	05-1430	FIANCHETTO DX	RIGHT SIDE PANEL	-	-	1
8	05-1432	FIANCHE7T0 SX	LEFT SIDE PANEL	-	-	1
9	05-1358	GRUPPO CONTENITORE CASCO	HJÄLMBOX	-	-	1
10	05-1346	GUARNIZIONE VANO CASCO	HELMET BOX GASKET	-	-	1
11	05-1500	GR. CODONE FISSO NERO	BLACK FIXED COWLING ASS.	-	-	1
11	05-1501	GR. CODONE F. GIALLO LEMON	LEMON YELL. FIX. COWL. ASS.	-	-	1
11	05-1502	GR. CODONE F. BLU SPIRIT	SPIRIT BLUE FIX. COWL. ASS.	-	-	1
12	05-1466	FASCIONE POSTERIORE	REAR FASCIA	-	-	1
13	05-1469	CODONE MOBILE NERO HELL	MOBILE COWLING-HELL BLACK	-	-	1
13	05-1470	CODONE MOBILE GIALLO LEMON	MOBILE COWLING-LEMON YELLOW	-	-	1
13	05-1471	CODONE MOBILE BLU SPIRIT	MOBILE COWLING-SPIRIT BLUE	-	-	1
14	05-1323	GRUPPO SELLA	SEAT	-	0,4	1
15	05-1349	KIT CERNIERA SELLA	SEAT HINGE KIT	-	0,4	1
16	05-1339	MENTO SELLA NERO HELL	SEAT CAP BLACK HELL	-	-	1
16	05-1340	MENTO SELLA GIALLO LEMON	SADDLE FRONT-LEMON YELLOW	-	-	1
16	05-1341	MENTO SELLA BLU SPIRIT	SADDLE FRONT-SPIRIT BLUE	-	-	1
17	05-1350	KIT BOTTONE DX E SX	RIGHT AND LEFT BUTTONS KIT	-	-	1
18	05-1160	COMANDO FLESSIBILE L=570	WIRE SADELLÅS	-	0,4	1
19	05-1159	MECCANISNO SGANCIO SELLA	KLAFF SADELLÅS	-	0,4	1
20	05-1280	PARAFANGO POSTERIORE	REAR MUDGUARD	-	0,1	1
21	05-1289	PROLUNGA PORTA TARGA	PLATE HOLDER EXTENSION	-	0,4	1
22	05-1290	PARASPRUZZI	SPLASH GUARD	-	0,4	1



POS.	PARTS NUMBER	DESCRIPTION Spansk	DESCRIPTION Engelsk	NOTES	TG	Qty
23	05-1677	PIASTRINA 4,8 AUTOF. ZN	PLATE	-	-	24
24	05-1673	VITE TMT 4X14 DN P TRUCIOLARE	SCREW	-	-	7
25	05-1671	VITE 4,8X16 AUT. DN	SCREW	-	-	16
26	05-1672	VITE 4,8X22 AUT. DN	SCREW	-	-	6
27	05-1640	VITE M6X20 TCEI DB	SCREW	-	-	4
28	05-1649	VITE M6X25 TBLEI DN	SCREW	-	-	8
29	05-1676	PIASTRINA M6 DB	PLATE	-	-	2
30	05-1664	RONDEL.10,5X21X2DB	WASHER	-	-	4
31	05-1653	VITE M6X16 TEFL 8.B DN	SCREW	-	-	4
32	05-1166	80CCOLA CON BATTUTA H 6	BUSHING WITH STOP H 6	-	-	4



1



1

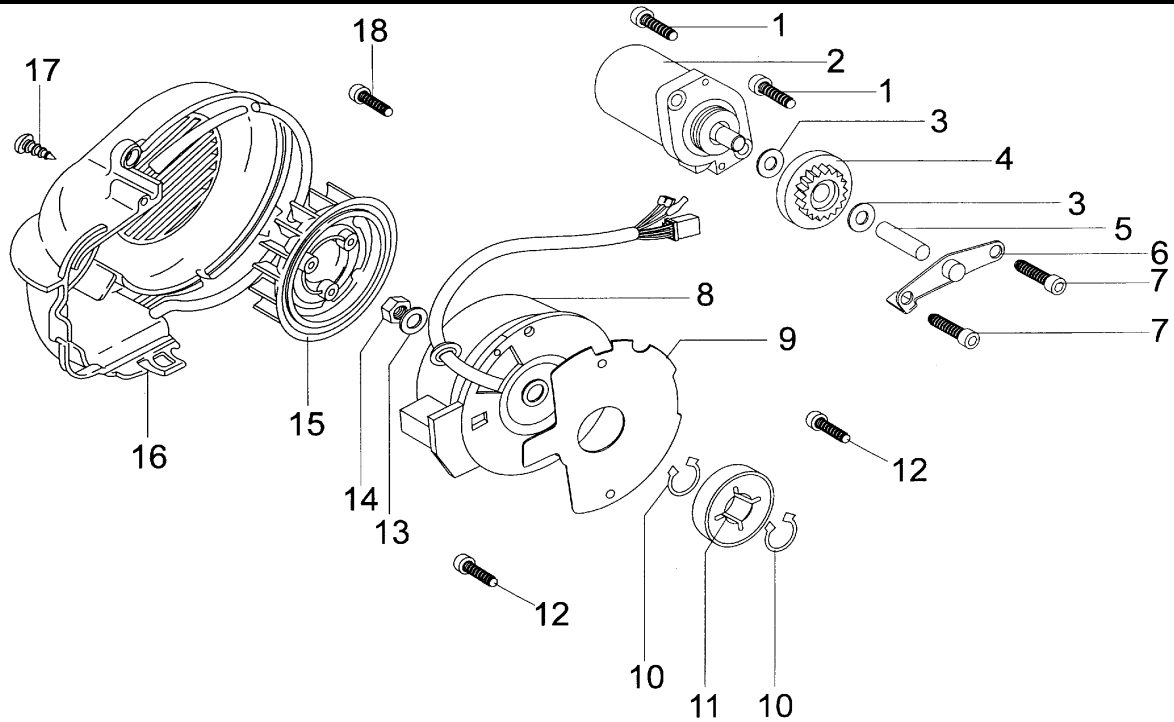


2

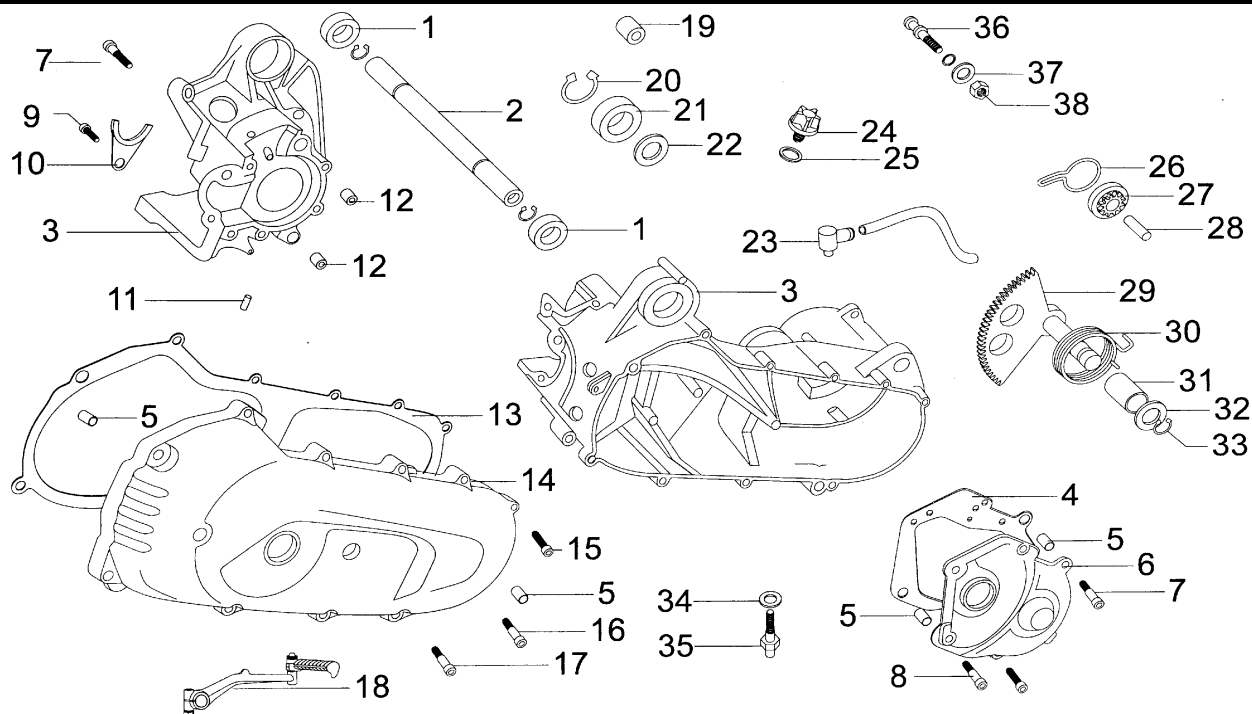


3

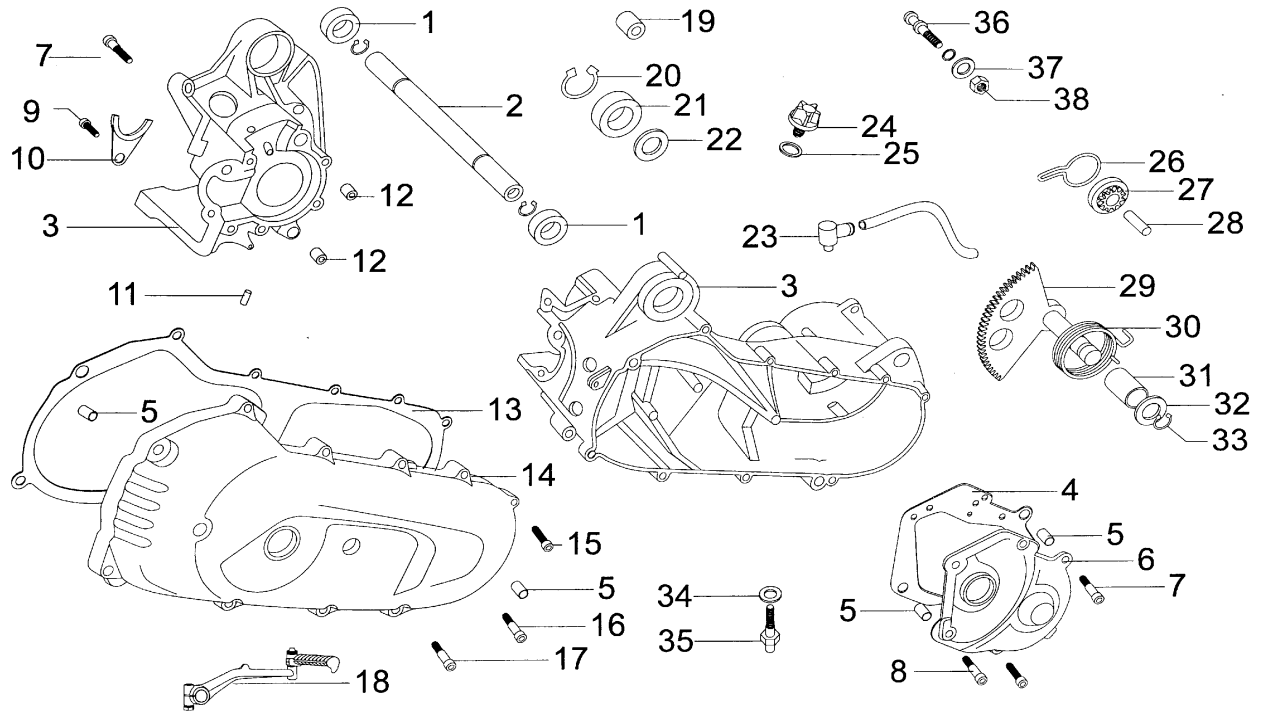
POS.	PARTS NUMBER	DESCRIPTION Spansk	DESCRIPTION Engelsk	NOTES	TG	Qty
1	05-1619	GRAFICHE K2 ARIA	GRAPHS K2	-	-	1
2	05-1612	LOGO HIGH TENSILE STEEL	HIGH TENSILE STEEL LOGO	-	-	2
3	05-1613	STIKER PROLUNGA PORTATARGA	LICENCE-HOLDER EXTENSION STIC.	-	-	1



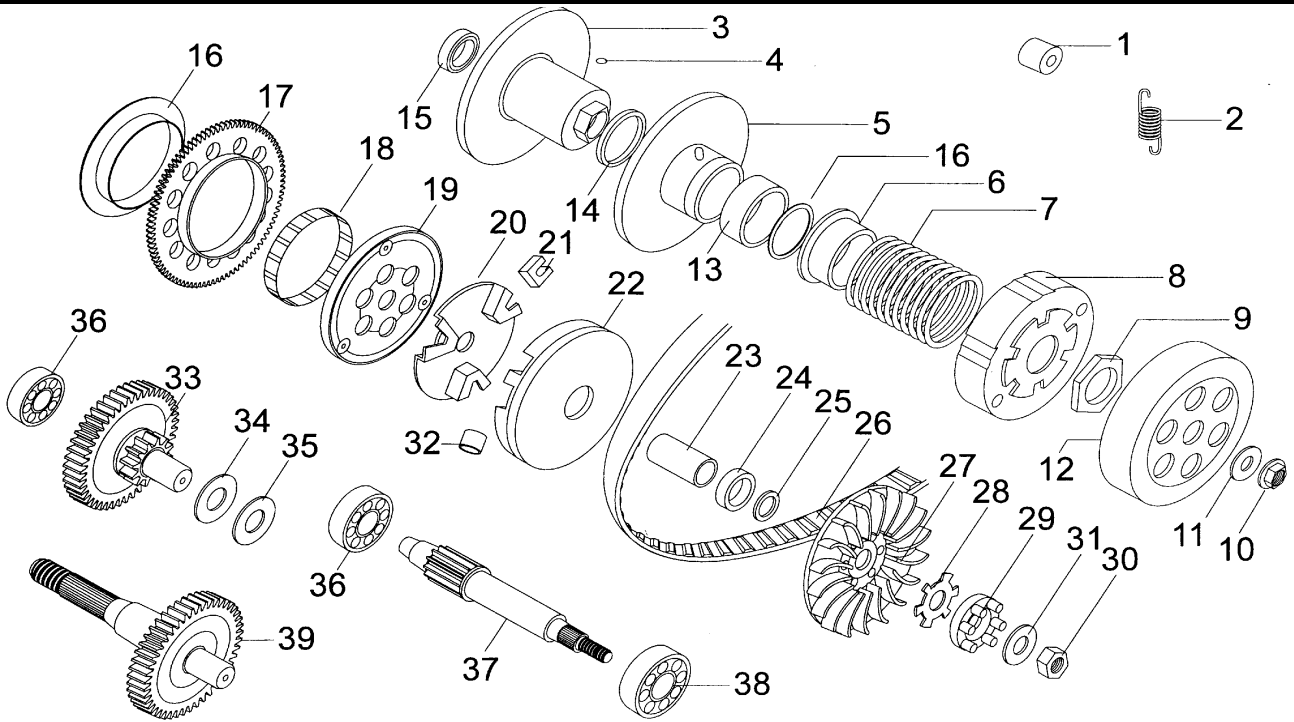
POS.	PARTS NUMBER	DESCRIPTION Spansk	DESCRIPTION Engelsk	NOTES	TG	Qty
1	05-0131	VITE T.C.C.E. M6X20 R.80	SCREW	-	-	2
2	05-0702	MOTORINO AWIAMENTO	STARTER	-	0,4	1
3	05-0672	RONDELLA 8X16X2	WASHER	-	-	2
4	05-0664	INGRANAG.DOPPIO INTERM.	INTERM. DOUBLE GEAR	-	0,5	1
5	05-0669	PERNO 8X32	PIN	-	-	1
6	05-0663	PIASTRINA INGR.DOPPIO INTR.	DOUBLE GEAR PLATE	-	-	1
7	05-0129	VITE T.C.C.E. M6X12 R.80	SCREW	-	-	2
8	05-0553	VOLANO MAGNETE	FLYWHEEL MAGNETO	-	0,7	1
9	05-0095	GUARNIZ.STATORE VOLANO	FLYWHEEL STATOR GASKET	-	-	1
10	05-0119	SEEGER PER ALBERO 019	SHAFT SEEGER D.19	-	-	2
11	05-0009	INGR. CONDUTTORE POMPA OLIO	OIL PUMP DRIVER GEAR	-	-	1
12	05-0130	VITE T.C.C.E. M6X16 R.80	SCREW	-	-	2
13	05-0556	RONDELLA10,5X18X2	WASHER	-	-	1
14	05-0555	DADO M10X1,25 H.8 CH 17	NUT	-	-	1
15	05-0480	VENTOLA IN PLASTICA	PLASTIC FAN	-	0,2	1
16	05-0481	CONVOGLIATORE VENTOLA	FAN BELT	-	0,1	1
17	05-0123	VITE AUTOFIL. 5,5X40	SCREW	-	-	1
18	05-0484	VITE T.C.C.E. M6X12 R.80	SCREW	-	-	3



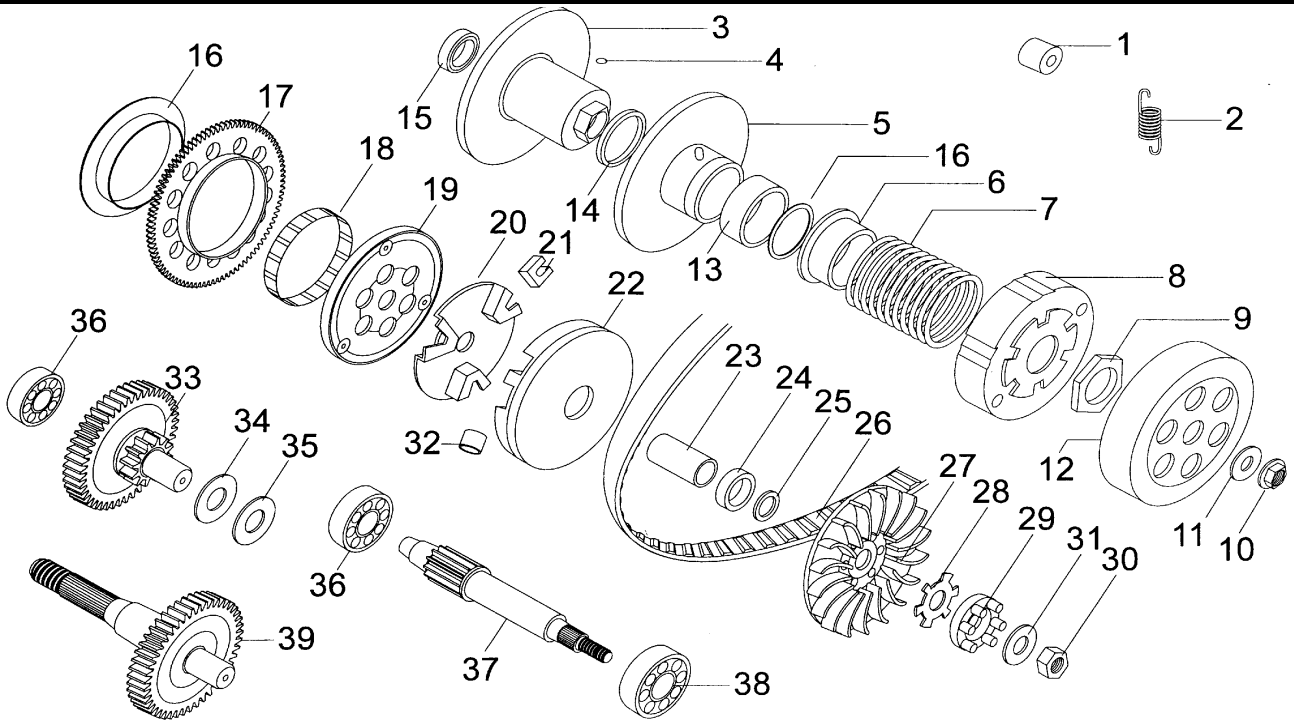
POS.	PARTS NUMBER	DESCRIPTION Spansk	DESCRIPTION Engelsk	NOTES	TG	Qty
1	05-0090	CUSCINETTO 17X35X10	BEARING	-	0,7	2
2	05-0012	DISTANZ.12X17X227 + SEEG	DISTANSRÖR MOTORUPPHÄNG.	-	-	1
3	05-0001	COPPIA CARTER VERS. TAMBURÖ	VEVHUSHALVOR PARVIS	-	5	1
4	05-0094	GUARNIZ. COPERCHIO TRASMISS.	DRIVE COVER GASKET	-	-	1
5	05-0114	GRANO RIF.COP. FRIZIONE 10X14	STYRSTIFT	-	-	4
6	05-0004	COPERCHIO TRASMISSIONE	DRIVE COVER	-	0,8	1
7	05-0132	VITE T.C.C.E. M6X35 R.80	SCREW	-	-	8
8	05-0131	VITE T.C.C.E. M6X20 R.80	SCREW	-	-	4
9	05-0129	VITE T.C.C.E. M6X12 R.80	SCREW	-	-	1
10	05-0008	PIASTRINA RITEGNO PARAOLIO	STOPPLATTA VEVAXELTÄTN.	-	-	1
11	05-0117	RULLO DIAMETRO 3X11,8	ROLLER D. 3X11,8	-	-	1
12	05-0115	GRANO RIFER.CARTER 12X16	DOWEL	-	-	2
13	05-0093	GUARNIZ. COPERCH. M.MOTO	STARTER COVER GASKET	-	-	1
14	05-0003	COPERCHIO MESSA IN MOTO	STARTER COVER	-	0,2	1
15	05-0121	VITE T.C.C.E. M6X35 Z.N.	SKRUV	-	-	1
16	05-0122	VITE T.C.C.E.M6X45 Z.N.	SKRUV	-	-	1
17	05-0135	VITE T.C.C.E.M6X25	SKRUV	-	-	4
18	05-0662	LEVA KICK STARTER	KICKSTARTARM	-	-	1
19	05-0005	GOMMINO SILENT-BLOCK	GUMMIBUSSNING MOTORUPPH.	-	-	1
20	05-0120	SEEGER PER FORO 040	SHAFT SEEGER D.40	-	-	1
21	05-0386	CUSCINETT017X40X12 2RS	BEARING	-	1	1
22	05-0100	PARAOLIO 22X32X6	OIL SEAL	-	-	1
23	05-0006	RACCORDO PER SFIATO	BREATHER UNION	-	-	1
24	05-0007	TAPPO ALIMENTAZ. OLIO	OIL TANK PLUG	-	-	1
25	05-0389	ANELLO OR 13,3X2,4	O RING	-	-	1
26	05-0666	MOLLA SCORREVOLE M.MOTO	STARTER SLIDING SPRING	-	-	1
27	05-0665	MOTO M SCORR INGRAN	STARTER SLIDING GEAR	-	-	1



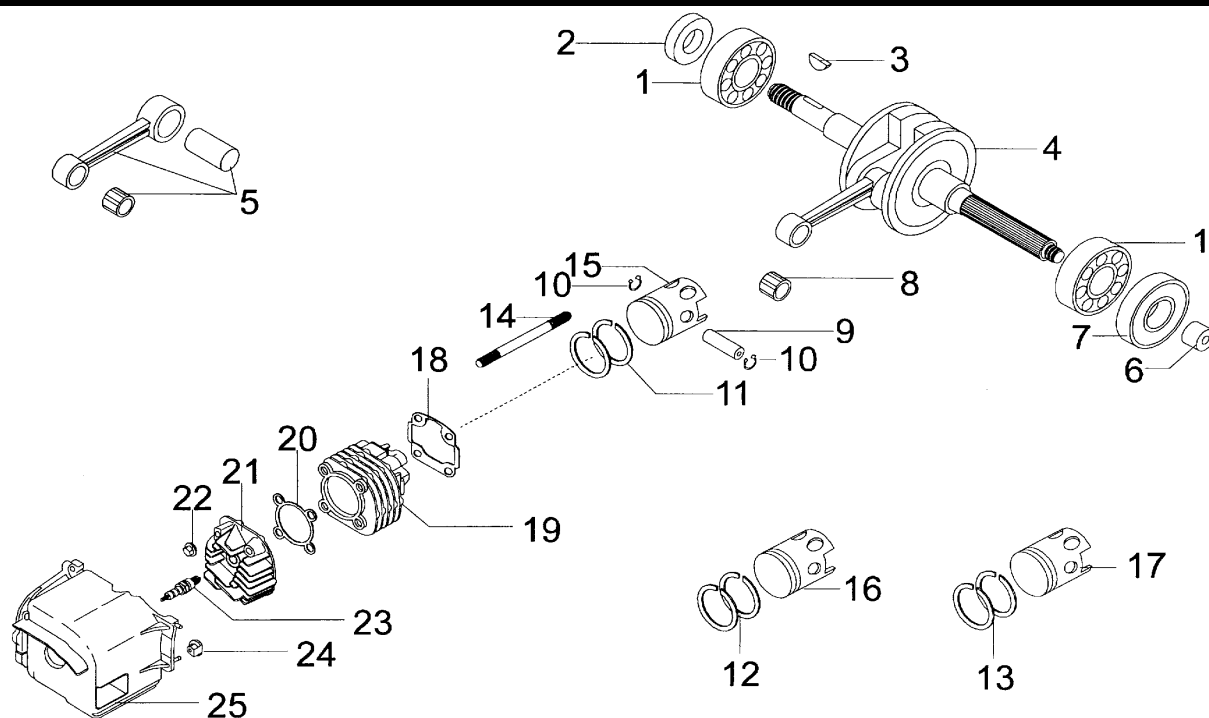
POS.	PARTS NUMBER	DESCRIPTION Spansk	DESCRIPTION Engelsk	NOTES	TG	Qty
28	05-0669	.	PIN	-	-	1
29	05-0673	MOTO COMPLETO ALBERG M	STARTER SHAFT ASSEMBLY	-	0,3	1
30	05-0667	MOTO LEVA M MOLLA RIT	STARTER LEVER RET. SPRING	-	-	1
31	05-0668	MOTO BOCCOLA ALBERG M	STARTER SHAFT BUSH	-	-	1
32	05-0671	RONDELLA ACC.15,1X28X1	STEEL WASHER	-	-	1
33	05-0670	SEEGER PER ALBERO DIAM.15	SHAFT SEEGER D.15	-	-	1
34	05-0096	GUARNIZ. VITE SCARICO OLIO	OIL EXHAUST SCREW GASKET	-	-	1
35	05-0133	VITE T.E. M8X1,25X15 FLANG.	SCREW	-	-	1
36	05-0010	PERNO PER CEPPI	PINNE FÖR BROMSBACKAR	-	-	1
37	05-0393	RONDELLA BISEL.10X21X2	BEVEL WASHER	-	-	2
38	05-0395	DADO M10X1,25 H7	LOCKNUT	-	-	1
	05-0101	SERIE PARAOLI	OIL SEALS SET	-	-	1



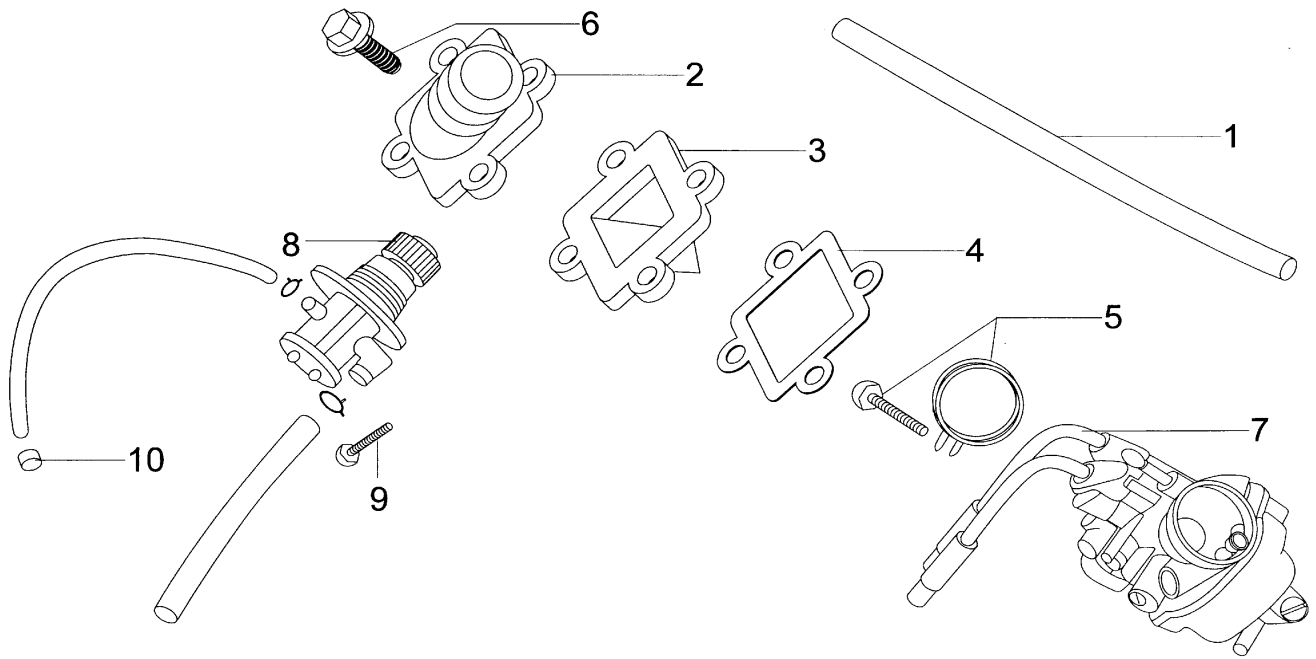
POS.	PARTS NUMBER	DESCRIPTION Spansk	DESCRIPTION Engelsk	NOTES	TG	Qty
1	05-0365	GOMMINO CEPPI FRIZIONE	CLUTCH SHOES RUBBER	-	-	3
2	05-0379	MOLLA RICH. CEPPI FRIZIONE	CLUTCH SHOES SPRING	-	0,4	3
3	05-0368	PULEGGIA SEC.FISSA COMPL.	SEC. FIXED PULLEY ASSEMBLY	-	-	1
4	05-0391	RULLINO GUIDA PER VARIAT.	PIN GUIDE	-	-	1
5	05-0369	PULEGGIA SEC.MOB.COMPL.	SEC. MOBILE PULLEY ASSEMBLY	-	-	1
6	05-0373	SCODELLINO PORTAMOL.VAR.	SPRING RETAINING CUP	-	-	1
7	05-0378	MOLLA PULEG.SEC.MOBILE	SEC. MOBILE PULLEY SPRING	-	0,4	1
8	05-0374	FRIZIONE CENTR. COMPL. 3 CEPPI	CARRIER CLUTCH ASSEMBLY	-	0,4	1
9	05-0392	DADO M28X1 H.4 CH.41	NUT	-	-	1
10	05-0394	DADO M10X1 H.8 CH.17 8G	NUT	-	-	1
11	05-0393	RONDELLA BISEL.ØX21X2	BEVEL WASHER	-	-	1
12	05-0367	CAMPANA FRIZIONE COMPL.	CLUTCH HOUSING ASSEMBLY	-	0,4	1
13	05-0388	ANELLO OR 37,85X1,7	O RING	-	-	2
14	05-0400	PARAOLIO 32X39X4	OIL SEAL	-	-	2
15	05-0097	PARAOLIO 17X28X5,5	OIL SEAL	-	-	1
16	05-0383	BOCCOLA FLANG.PER CORONA	FLANGED BUSH FOR RING GEAR	-	-	1
17	05-0376	CORONA AWIAM. ELETTRICO	ELECTRIC STARTER GEAR	-	0,5	1
18	05-0399	GABBIA D.57X61X10	RETAINER	-	-	1
19	05-0377	RUOTA LIBERA COMPLETA	COMPL. FREE WHEEL	-	0,5	1
20	05-0370	CAPPELOTTO PORTA TASSELLI	SLIDER HOUSING CAP	-	-	1
21	05-0366	TASSELLO DI TRAINO	SLIDER	-	-	3
22	05-0362	PULEGGIA ANT.MOBILE	FRONT MOBILE PULLEY	-	0,3	1
23	05-0384	BOCCOLA PULEGGIA ANT. MOBILE	FRONT MOBILE PULLEY BUSH	-	-	1
24	05-0382	DISTANZIALE18X23X5	SPACER	-	-	1
25	05-0397	RONDELLA ACC.13X18,5X1	STEEL WASHER	-	0,4	1
26	05-0360	CINGHIA DI TRASMISSIONE	DRIVE BELT	-	0,4	1
27	05-0361	PULEGGIA FISS.ANTERIORE	FRONT FIXED PULLEY	-	0,4	1



POS.	PARTS NUMBER	DESCRIPTION Spansk	DESCRIPTION Engelsk	NOTES	TG	Qty
28	05-0371	PIASTR.TRAINO PULEG.ANT.FISSA	FRONT FIXED PULLEY PLATE	-	-	1
29	05-0372	SCODELLINO DENT.M.MOTO	STARTER COGGED CUP	-	-	1
30	05-0555	DADO M10X1,25 H.8 CH 17	NUT	-	-	1
31	05-0401	RONDEL. CON.10,2X24X2,6	WASHER	-	-	1
32	05-0390	MASSA CENTRIFUGA DIAM. 9,5	WEIGHT D. 9,5	-	-	6
33	05-0375	INGR.DOPPIO INTERM.COMPL.	DOUBLE INTERM. GEAR ASSEMBLY	-	-	1
34	05-0380	MOLLA A DISCO REGGISPINTA	SPRING	-	-	1
35	05-0398	RONDELLA ACC.14X29X1	STEEL WASHER	-	-	1
36	05-0387	CUSCINETTO 10X30X9	BEARING	-	-	2
37	05-0364	ALBERO TRASMISSIONE	DRIVE SHAFT	-	0,6	1
38	05-0385	CUSCINETT017X40X12	BEARING	-	0,8	1
39	05-0363	ALBERO USCITA MOTO COMPL.	OUTPUT SHAFT ASSEMBLY	-	0,6	1
	05-0478	GRUPPO VARIATORE A/D	VARIATOR ASSEMBLY	-	-	1
	05-0396	DISTANZ.CUSC/PARAOLIO FRIZ.	CLUTCH SEAL / BEARING SPACER	-	-	1



POS.	PARTS NUMBER	DESCRIPTION Spansk	DESCRIPTION Engelsk	NOTES	TG	Qty
1	05-0205	CUSCINETT020X47X14	BEARING	-	3,3	2
2	05-0098	PARAOLIO 20X30/33,5X5,3	OIL SEAL	-	-	1
3	05-0554	CHIAVETTA VOLANO D.13X3	FLYWHEEL KEY D.13X3	-	-	1
4	05-0186	IMBIELLAGGIO (VERS. ARIA)	CRANKSHAFT	-	2,7	1
5	05-0198	BIELLA COMPLETA	CRANK ASSEMBLY	-	3,5	1
6	05-0396	DISTANZ.CUSC/PARAOLIO FRIZ.	CLUTCH SEAL / BEARING SPACER	-	-	1
7	05-0099	PARAOLIÖ 20X42/43X8/9	OIL SEAL	-	-	1
8	05-0199	GABBIA SPINOTTO	PISTON PIN RETAINER	-	1,8	1
9	05-0244	SPINOTTO 10X33	PISTON PIN	-	1,8	1
10	05-0245	ANELLO FERMA SPINOTTO	PISTON PIN CLIP RING	-	1,8	2
11	05-0254	SERIE SEGMENTI D.40 BASE	PISTON RING SET D.40 (STD)	-	1,8	1
12	05-0255	SERIE SEGMENTI D.40,5	PISTON RING SET D.40,5	-	-	1
13	05-0254	SERIE SEGMENTI D.41	PISTON RING SET D.41	-	-	1
14	05-0011	PRIGION.M7X1X109 FIS.TES.	STUD BOLT	-	-	4
15	05-0238	PISTONE D40	PISTON D40	-	-	1
16	05-0239	PIST.1 MAGG. 40,5 VERS. ARIA	1 ST OVERS. PISTON 40,5	-	-	1
17	05-0240	PIST. 2 MAGG. 41 VERS. ARIA	2ND OVERS. PISTON 41	-	-	1
18	05-0103	GUARNIZ. BASE CILINDRO	CYLINDER BASE GASKET	-	-	1
19	05-0216	CILINDRO VERS. ARIA	CYLINDER	-	1,8	1
20	05-0268	GUARNIZIONE PER TESTA	HEAD GASKET	-	1,8	1
21	05-0264	TESTA VERS ARIA	HEAD	-	1,8	1
22	05-0112	DADO M7X1 H.7 CH.10 FLAN.	NUT	-	-	1
23	05-0610	CANDELA VERS. ARIA	SPARK PLUG	-	-	1
24	05-0483	GOMMINO	RUBBER	-	-	1
25	05-0482	CUFFIA	COVER	-	-	1



POS.	PARTS NUMBER	DESCRIPTION Spansk	DESCRIPTION Engelsk	NOTES	TG	Qty
1	05-0510	TUBO ACOUA SFIATO TESTA CARB.	CARB. HEAD BREATHER WAT. PIPE	-	1	1
2	05-0615	COLLETORE ASPIRAZIONE	INLET MANIFOLD	-	1	1
3	05-0614	VALVOLA LAMELLE COMPLETA	STRIP VALVE ASSEMBLY	-	1	1
4	05-0104	GUARNIZ. VALVOLA LAMELLE	STRIP VALVE GASKET	-	1	1
5	05-0616	FASCETTA FLANGIA ASPIRAZ.	INLET FLANGE CLAMP	-	-	1
6	05-0131	VITE T.C.C.E. M6X20 R.80	SCREW	-	-	4
7	05-0613	CARBURATORE GURTNER	GURTNER CARBURETOR	-	0,6	1
8	05-0635	POMPA OLIO COMPLETA	OIL PUMP ASSEMBLY	-	0,6	1
9	05-0127	VITE T.C.C.E. M5X14	SCREW	-	-	2
10	05-0636	FASCETTA TUBO POMPA OLIO	OIL PUMP PIPE CLAMP	-	-	1