

Benelli Velvet 250

Reservdelskatalog



Index nummer

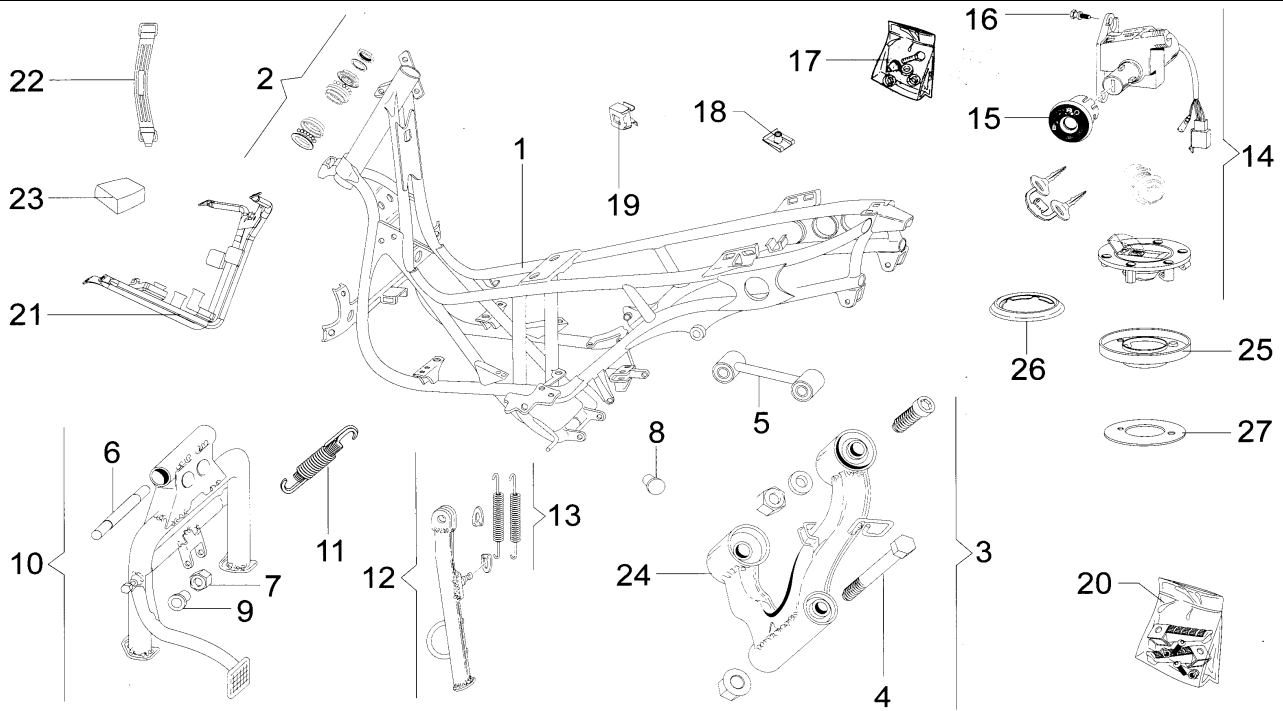
Blad	Pos.	Parts Number	Blad	Pos.	Parts Number	Blad	Pos.	Parts Number
B	27	R11040681A0	E	9	R13040111A0	C	11	R16040131A0
B	28	R11040691A0	E	10	R13040121A0	C	12	R16040141A0
B_1	29	R11040731A0	E	11	R13040131A0	C	13	R16040151A0
B_1	30	R11040741A0	E	12	R13040141A0	C	14	R16040161A0
B_1	31	R11040751A0	E	13	R13040151A0	C	15	R16040171A0
B_1	32	R11040761A0	E	14	R13040161A0	C	16	R16040181A0
B_1	33	R11040771A0	E	16	R13040171A0	C	2	R16040191A0
B_1	34	R11040781A0	E	17	R13040181A0	C	17	R16040201A0
B_1	35	R11040791A0	E	18	R13040191A0	C	18	R16040211A0
B_1	36	R11040801A0	E	19	R13040201A0	C	19	R16040221A0
B_1	37	R11040811A0	E	25	R13240171A0	C	20	R16040231A0
B_1	38	R11040821A0	E_1	25	R13240181A0	C	21	R16040241A0
B_1	39	R11040831A0	E	25	R13240191A0	C	22	R16040251A0
B_1	40	R11040841A0	E_1	26	R13340071A0	C	23	R16040261A0
B_1	41	R11040851A0	E_1	26	R13340081A0	C	24	R16040271A0
B_1	42	R11040861A0	E_1	26	R13340091A0	C	25	R16040281A0
D	29	R11040861A0	E	1	R14040061A0	C	26	R16040291A0
B	1	R11040871A0	D	1	R15040111A0	C	27	R16040301A0
B	2	R11040881A0	D	2	R15040121A0	C	28	R16040311A0
B	3	R11040891A0	D	3	R15040131A0	C_1	29	R16040321A0
B	5	R11040901A0	D	4	R15040141A0	C_1	30	R16040331A0
B	6	R11040911A0	D	5	R15040151A0	C_1	31	R16040341A0
B	7	R11040921A0	D	6	R15040161A0	C_1	32	R16040351A0
B	8	R11040931A0	D	7	R15040171A0	C_1	33	R16040361A0
B	9	R11040941A0	D	8	R15040181A0	C_1	34	R16040371A0
B	10	R11040951A0	D	9	R15040191A0	C_1	35	R16040381A0
B	11	R11040961A0	D	10	R15040201A0	C_1	36	R16040391A0
B	18	R11040971A0	D	11	R15040211A0	C_1	37	R16040401A0
B	19	R11040981A0	D	12	R15040221A0	C_1	38	R16040411A0
B	20	R11040991A0	D	13	R15040231A0	C_1	39	R16040421A0
B	21	R11041001A0	D	14	R15040241A0	C_1	40	R16040431A0
B	23	R11041011A0	D	15	R15040251A0	B	15	R17040281A0
B	24	R11041021A0	D	16	R15040261A0	B	16	R17040291A0
B	25	R11041031A0	D	17	R15040271A0	B	17	R17040301A0
B	26	R11041041A0	D	18	R15040281A0	B	12	R17040311A0
B	22	R11041051A0	D	19	R15040291A0	B	14	R17040321A0
B	13	R11350731A0	D	20	R15040301A0	B	4	R17040331A0
A	21	R11540061A0	D	21	R15040311A0	7	9	R17140211A0
A	22	R11540071A0	D	22	R15040321A0	A	1	R17140281A0
A	23	R11540081A0	D	23	R15040331A0	A	2	R17140291A0
A	24	R11540091A0	D	24	R15040341A0	A	3	R17140301A0
A	25	R11540101A0	D	25	R15040351A0	A	4	R17140311A0
A	26	R11540111A0	D	26	R15040361A0	A	5	R17140321A0
A	27	R11540121A0	D	27	R15040371A0	A	6	R17140331A0
E	21	R12040141A0	D	28	R15040381A0	A	7	R17140341A0
E	22	R12040151A0	D	30	R15040391A0	A	8	R17140351A0
E	23	R12040161A0	D	31	R15040401A0	A	9	R17140361A0
E	24	R12040171A0	C	1	R16040041A0	A	10	R17140371A0
E_1	27	R12040181A0	C	3	R16040051A0	E	2	R17140371A0
E_1	28	R12040191A0	C	4	R16040061A0	A	11	R17140381A0
E	3	R13040051A0	C	5	R16040071A0	A	12	R17140391A0
E	4	R13040061A0	C	6	R16040081A0	A	13	R17140401A0
E	5	R13040071A0	C	7	R16040091A0	A	14	R17140411A0
E	6	R13040081A0	C	8	R16040101A0	A	15	R17140421A0
E	7	R13040091A0	C	9	R16040111A0	A	16	R17140431A0
E	8	R13040101A0	C	10	R16040121A0	A	17	R17140441A0

Index nummer

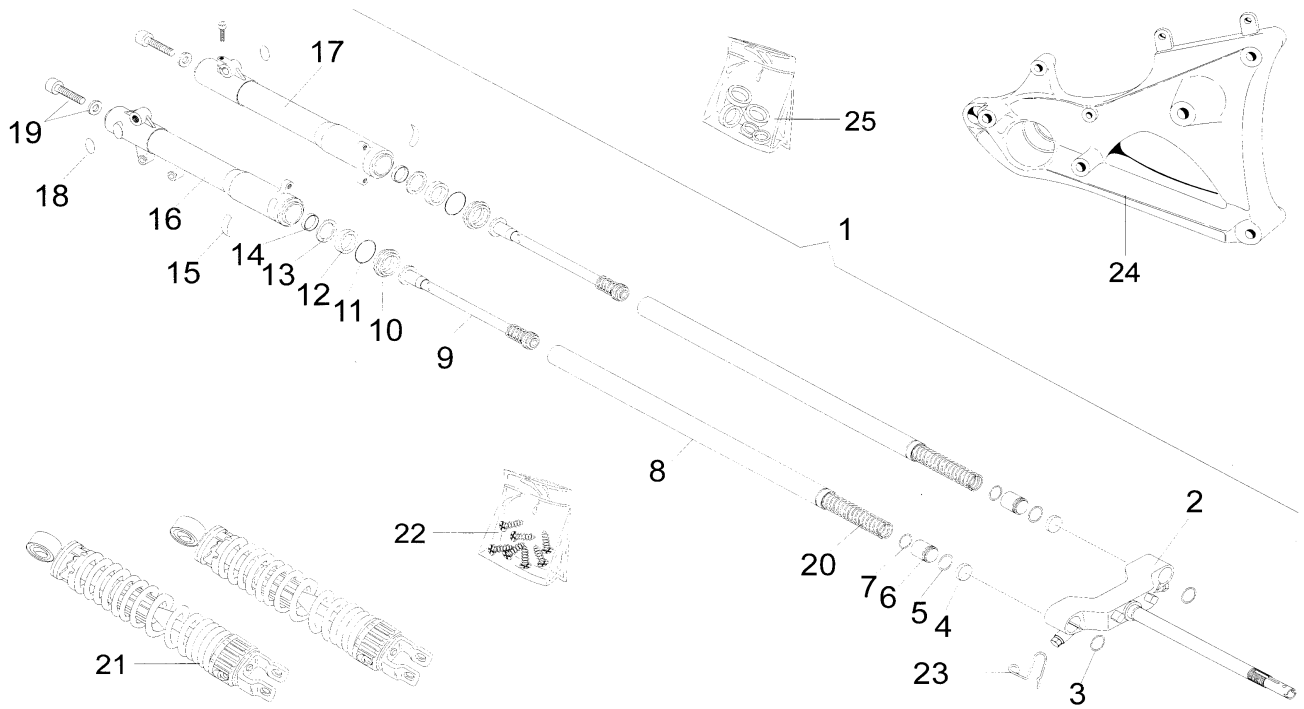
Blad	Pos.	Parts Number	Blad	Pos.	Parts Number	Blad	Pos.	Parts Number
A	18	R17140451A0	1	3	R25090291A0	5	13	R43920031A0
A	19	R17140461A0	1	4	R25210131AY	3	11	R43990051A0
A	20	R17140471A0	1	5	R25227021A0	5	16	R44140011A0
6	14	R17140481A0	1	8	R25240101AZ	4	8	R44220051A0
6	15	R17140491A0	1	13	R25390031A0	4	10	R44340031AG
6	16	R17140501A0	11	3	R25510011AO	4	7	R44440161A0
6	17	R17140511AO	1	20	R26090051A0	4	9	R44810021A0
6	18	R17140521A0	2	1	R31020041A0	5	8	R51110121A0
6	19	R17140531A0	2	2	R31110101A0	5	5	R51110131A0
6	20	R17140541A0	2	17	R31340111AO	7	5	R51240111A0
E_1	36	R17140541A0	2	16	R31440031A0	7	16	R51340071A0
E	15	R18040681A0	2	9	R31740181A0	7	4	R51420041A0
F	1	R18040691A0	2	3	R31840601A0	7	8	R51540071A0
F	2	R18040701A0	2	4	R31840611A0	7	6	R51640011A0
F	3	R18040711A0	2	5	R31840621A0	7	13	R51640021A0
F	4	R18040721A0	2	6	R31840631A0	7	11	R51740101A0
E_1	30	R18341011A0	2	7	R31840641A0	1	23	R51810171A0
E_1	31	R18341021A0	2	10	R31840651A0	5	20	R51840061A0
E_1	32	R18341031A0	2	11	R31840661A0	5	19	R51840071A0
E_1	33	R18341041A0	2	12	R31840671A0	8	11	R51840101A0
E_1	34	R18341051A0	2	13	R31840681A0	7	12	R51840151A0
E_1	35	R18341061A0	2	14	R31840691A0	7	7	R51890211A0
E_1	39	R18440151A0	2	15	R31840701A0	8	1	R52140331A0
E_1	37	R18440161A0	2	18	R31840711AO	9	1	R52140341A0
E_1	38	R18440171A0	2	19	R31890721A0	8	6	R52140401A0
F	6	R19040121A0	2	20	R31890731A0	9	4	R52140401A0
F	7	R19040131A0	2	8	R31910011A0	8	7	R52140411A0
F	8	R19040141A0	2	21	R32110071A0	9	5	R52140411A0
F	9	R19040151A0	2	22	R32390011A0	9	13	R52140441A0
F	10	R19040161A0	2	24	R33017001AG	8	2	R52140461A0
F	11	R19040171A0	3	9	R40140011A0	9	8	R52140471A0
F	12	R19040181A0	4	2	R40140051A0	8	13	R52190561A0
F	5	R19040191A0	3	1	R41110051A0	9	12	R52190561A0
1	1	R21027001AX	3	2	R41240101A0	9	2	R52240171A0
11	6	R21311071A0	3	8	R41340011AY	9	9	R52410121A0
1	2	R21440031A0	3	5	R41340041A0	7	14	R52440041A0
1	22	R21610191AZ	3	3	R41410021A0	8	8	R52440041A0
1	21	R21620011AX	3	4	R41410031A0	9	6	R52440041A0
13	3	R21620071AH	3	7	R41540031A0	9	7	R52440061A0
5	1	R22020091AX	4	1	R42110101A0	8	10	R52440091A0
5	23	R22110271AY	4	3	R42240101A0	8	4	R52440101A0
5	2	R22210031A0	2	25	R42390051A0	8	12	R52440111A0
5	10	R22220121A0	4	5	R42390061A0	8	5	R52640131A0
5	9	R22220151A0	5	15	R43120021A0	9	10	R52640151A0
E_1	40	R22220251A0	5	11	R43140011A0	9	11	R52640161A0
5	3	R22490041A0	3	12	R43220131A0	8	9	R52640171A0
5	7	R22620081A0	3	15	R43340041AG	8	3	R52740051A0
5	4	R22640071A0	2	23	R43410301A0	9	3	R52840041A0
5	6	R22640091A0	5	17	R43440051A0	12	3	R53140071A0
1	10	R24027001AX	5	12	R43440061A0	12_1	22	R53210021AH
1	12	R24090131A0	5	14	R43440071A0	3	6	R53410041A0
1	6	R24217001AY	5	18	R43440081A0	7	1	R54110081A0
1	7	R24217021A0	3	13	R43440281A0	7	2	R54210071A0
1	9	R24217031AY	4	6	R43440281A0	7	3	R54710041A0
1	11	R24220051AY	3	14	R43440311A0	1	14	R55020041A0
1	24	R25020191A0	3	10	R43810041A0	1	17	R55090051A0

Index nummer

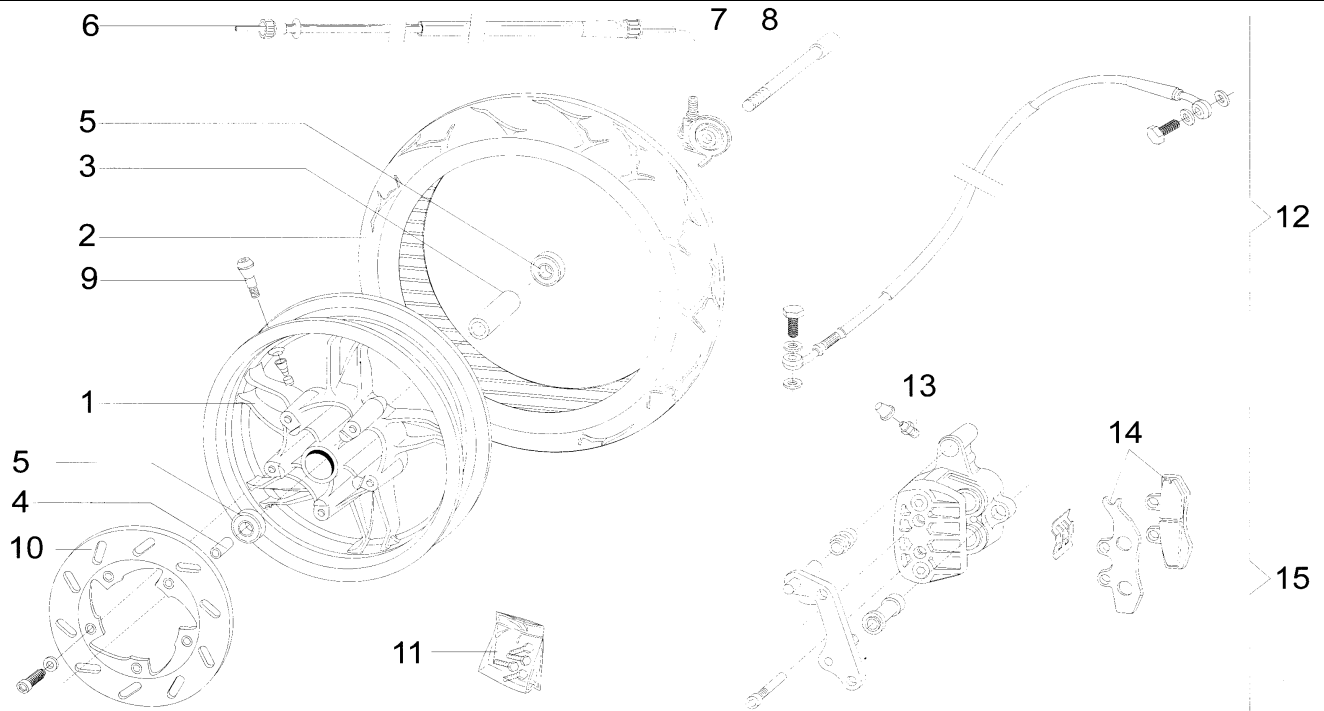
Blad	Pos.	Parts Number	Blad	Pos.	Parts Number	Blad	Pos.	Parts Number
1	16	R55440131A0	11	12	R67810151A0	5	21	R82040091A0
13	10	R55440211A0	11	9	R67810181A0	14	1	R83020781A0
13	12	R55440221A0	1	27	R67940041AZ	E_1	29	R84010021A0
1	15	R55440231A0	E	20	R67940111A0	4	4	R91350111 B
12_1	21	R61010011AH	11	2	R67990061A0	1	19	R91450131A
12	15	R61110041AAE	11	13	R67990091A0	1	18	R95050017A
12	15	R61110041AAH	12	9	R69010311AZ			
12	15	R61110041AAI	12	10	R69010321AZ			
12	16	R61110051AAE	12	11	R69010341AZ			
12	16	R61110051AAH	13	5	R69010361AH			
12	16	R61110051AAI	13	6	R69010371AH			
12	5	R62010211AAE	13	14	R69010381AZ			
12	5	R62010211AAH	13	15	R69010391AZ			
12	5	R62010211AAI	13	4	R69020301AAE			
12	6	R62010221AAE	13	4	R69020301AAH			
12	6	R62010221AAH	13	4	R69020301AAI			
12	6	R62010221AAI	13	11	R69110091AZ			
12	12	R62010231AH	13	13	R69190071A0			
12	13	R62010241AH	10	23	R71110251A0			
12	2	R62010271AZ	10	11	R71140261A0			
12	8	R62010291AAE	10	12	R71140271A0			
12	8	R62010291AAH	10	13	R71140281A0			
12	8	R62010291AAI	10	14	R71140291A0			
13	7	R62010311AZ	10	15	R71140301A0			
13	8	R62010321AZ	10	16	R71140311A0			
12_1	19	R62010331A0	10	17	R71140321A0			
12_1	17	R62010341AZ	10	18	R71140331A0			
12_1	18	R62010351AZ	10	19	R71140341A0			
12	4	R62020301AAG	10	20	R71140351A0			
12_1	20	R62110051AY	10	21	R71140361A0			
12_1	24	R62120171A0	10	24	R71220371A0			
12	14	R62190201A0	10	22	R71340101A0			
12	1	R63010091AAE	10	25	R71917001AX			
12	1	R63010091AAH	10	1	R72027001A0			
12	1	R63010091AAI	10	4	R72117001AZ			
13	2	R63017001AZ	10	2	R72217001AZ			
13	9	R65020291A0	10	3	R72317001AZ			
13	18	R65310191AY	10	6	R72317011A0			
13	16	R65310201AZ	10	7	R72417001AZ			
13	17	R65340251A0	10	9	R72517001AZ			
13	1	R66010101AZ	10	5	R72517011AZ			
13	19	R66010171AZ	10	8	R72517021A0			
7	15	R66017011AY	10	10	R72590111A0			
12	7	R66020161A0	6	2	R73110051A0			
11	1	R67110121AZ	6	1	R73117001A0			
11	7	R67140241A0	6	7	R73210071A0			
6	8	R67310021A0	6	10	R73210081A0			
6	9	R67410091A0	6	6	R73217001A0			
1	26	R67410101A0	6	5	R73217011A0			
12_1	23	R67410101A0	6	3	R73340051A0			
1	25	R67440071AY	6	4	R73340061A0			
11	5	R67510121A0	6	12	R73410021A0			
11	4	R67740021A0	6	13	R73417021AY			
11	8	R67740031A0	6	11	R73490051A0			
11	10	R67810131A0	7	10	R81040101A0			
11	11	R67810141A0	5	22	R82040081A0			



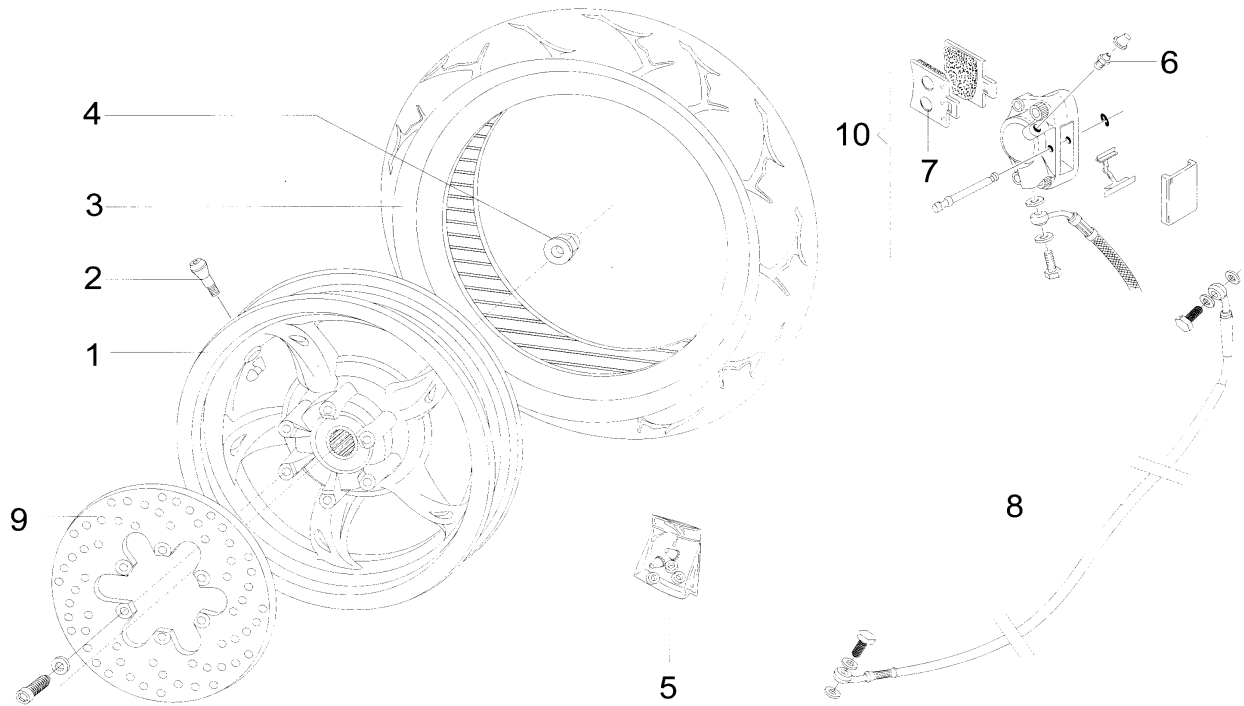
POS.	PARTS NUMBER	DESCRIPTION Spansk	DESCRIPTION Engelsk	NOTES	TG	Qty
1	R21027001AX	TELAIO VERNICIATO	PAINTED FRAME	-	5	1
2	R21440031A0	SERIE STERZO	HEAD BEARING KIT	-	1	1
3	R25090291A0	SUPPORTO MOTORE COMPLETO	COMPL. ENGINE MOUNTING	-	0,5	1
4	R25210131AY	PERNO	PIN	-	-	1
5	R25227021A0	COMPLESSIVO ASTA DI REAZIONE	REACTION ROD UNIT	-	-	1
6	R24217001AY	PERNO CAVALLETTO	STAND PIN	-	-	1
7	R24217021A0	ROTELLA	ROLLER	-	-	1
8	R25240101AZ	GOMMINO PUFFER	PUFFER RUBBER RING	-	-	1
9	R24217031AY	BOCCOLA	BUSH	-	-	1
10	R24027001AX	CAVALLETTO CENTRALE COMPLETO	COMPL. CENTRAL PROP STAND	-	0,2	1
11	R24220051AY	KIT MOLLE CAVALLETTO	STAND SPRING KIT	-	-	1
12	R24090131A0	CAVALLETTO LATERALE COMPLETO	COMPL. SIDE PROP STAND	-	0,2	1
13	R25390031A0	GR. MOLLE+ PIASTRINO	SPRING + PLATE SET	-	-	1
14	R55020041A0	SERIE SERRATURE (01636)	SET OF KEYS (01636)	-	0,7	1
15	R55440231A0	FRONT. CHIAVE SERIGR.	COVER	-	-	1
16	R55440131A0	VITE ZADI	ZADI SCREW	-	0,1	1
17	R55090051A0	GR. VITERIE SERRATURE	SET OF SCREWS FOR KEYS	-	-	1
18	R95050017A	PIASTRINA M6 DB	PLATE	-	-	5
19	R91450131A	DADO IN GABBIA M6 ZB	NUT IN CAGE M6 ZB	-	-	9
20	R26090051A0	GR. PEDANA PASSEGGERI	PASSENGER FOOTREST ASS.	-	-	1
21	R21620011AX	CESTELLO BATTERIA	BATTERY HOLDER	-	-	1
22	R21610191AZ	CINGHIA CEST. BATTERIA	BATTERY HOLDER BELT	-	-	1
23	R51810171A0	TAMPONE BATTERIA	BUFFER BATTERY HOLDER	-	-	2
24	R25020191A0	BILANCIERE CPL	CPL EQUALIZER	-	-	1
25	R67440071AY	RACCORDO TAPPÒ	PIPE UNION	-	0,2	1
26	R67410101A0	FINIZIONE TAPPÒ CARBURANTE	FINISHING OF FUEL CAP	-	0,1	1
27	R67940041AZ	GUARNIZIONE PER TAPPÒ ZADI	GASKET FOR ZADI PLUG	-	0,2	1



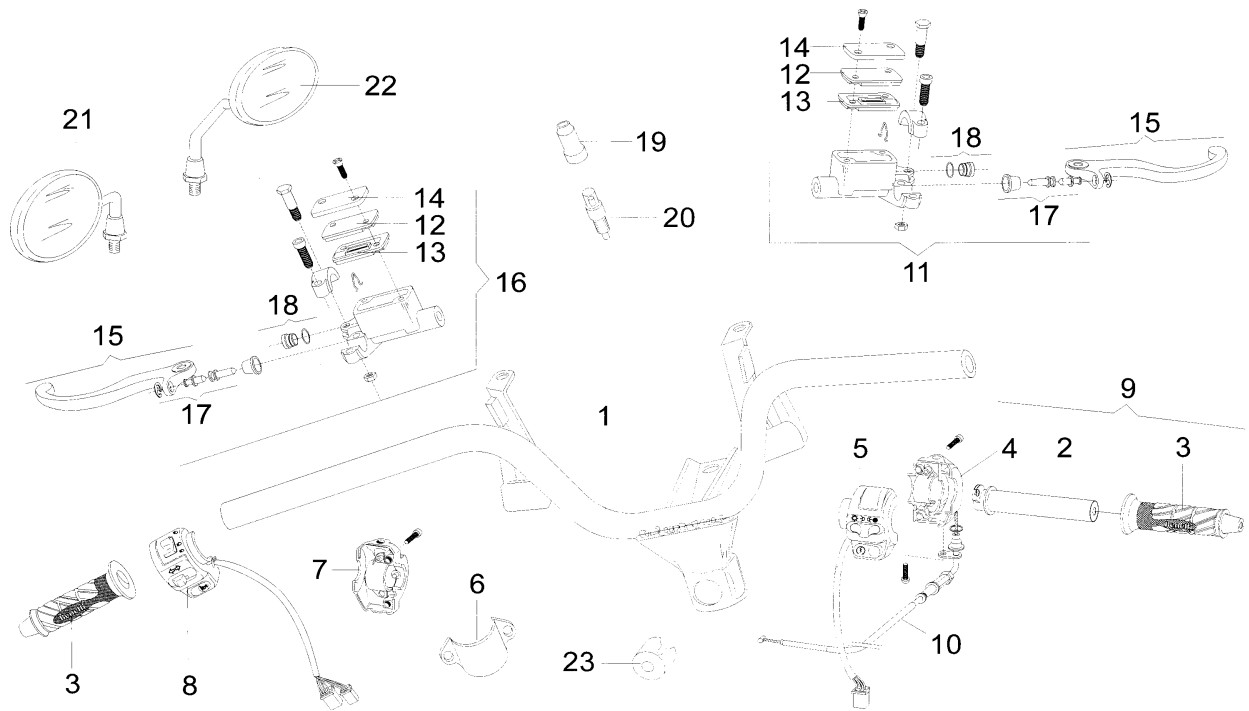
POS.	PARTS NUMBER	DESCRIPTION Spansk	DESCRIPTION Engelsk	NOTES	TG	Qty
1	R31020041A0	FORCELLA COMPLETA	COMPLETE FORK	-	0,9	1
2	R31110101A0	TRAPEZIO	TRAPEZOID	-	0,6	1
3	R31840601A0	ANELLO FERMA TUBO	PIPE LOCKING RING	-	1,1	2
4	R31840611A0	TAPPÖ DI PROTEZIONE IN GÖMMA	RUBBER PROTECTION CAP	-	-	2
5	R31840621A0	ANELLO FERMA TAPPÖ	PLUG LOCKING RING	-	1,1	2
6	R31840631A0	TAPPÖ PER TUBO	PIPE PLUG	-	1,1	2
7	R31840641A0	O-RING 4087	O RING 4087	-	1,1	2
8	R31910011A0	TUBO	PIPE	-	-	2
9	R31740181A0	GRUPPÖ STELO	FORK DAMPER	-	1,1	2
10	R31840651A0	CUFFIA PARAOLIO	OIL-SEAL COVER	-	1,1	2
11	R31840661A0	ANELLO FERMA PARAOLIO	OIL RETAINER RING	-	-	2
12	R31840671A0	ANELLO PARAOLIO ARS	ARS OIL RETAINER RING	-	-	2
13	R31840681A0	RONDELLA FERMA BOCCOLA DU	DU FERRULE STOP WASHER	-	-	2
14	R31840691A0	BOCCOLA DU	DU WASHER	-	-	2
15	R31840701A0	MEDAGLIA CERIANI	CERIANI MEDAL	-	-	2
16	R31440031A0	GAMBA SX	LEFT LEG	-	0,3	1
17	R31340111A0	GAMBA DX	RIGHT LEG	-	0,3	1
18	R31840711A0	MEDAGLIA PAIOLI	PAIOLI MEDAL	-	-	2
19	R31890721A0	GR. VITERIA FORCELLA	FORK SCREW SET	-	-	1
20	R31890731A0	MOLLA FORCELLA	FORK SPRING	-	1,1	2
21	R32110071A0	AMMORTIZZATORE	THROTTLE	-	0,1	2
22	R32390011A0	GR. VITI AMMORTIZZATORE	SHOCK ABSORBER SCREW SET	-	-	1
23	R43410301A0	GUIDATUBO	TUBEGUIDE	-	-	2
24	R33017001AG	PIASTRA SUPP. AMMORTIZZATORE	SHOCK ABSORBER SUPPRT PLATE	-	0,3	1
25	R42390051A0	GR. CUSCINETTI E PARAPOLVERE	BEARINGS AND BOOT SET	-	0,4	1



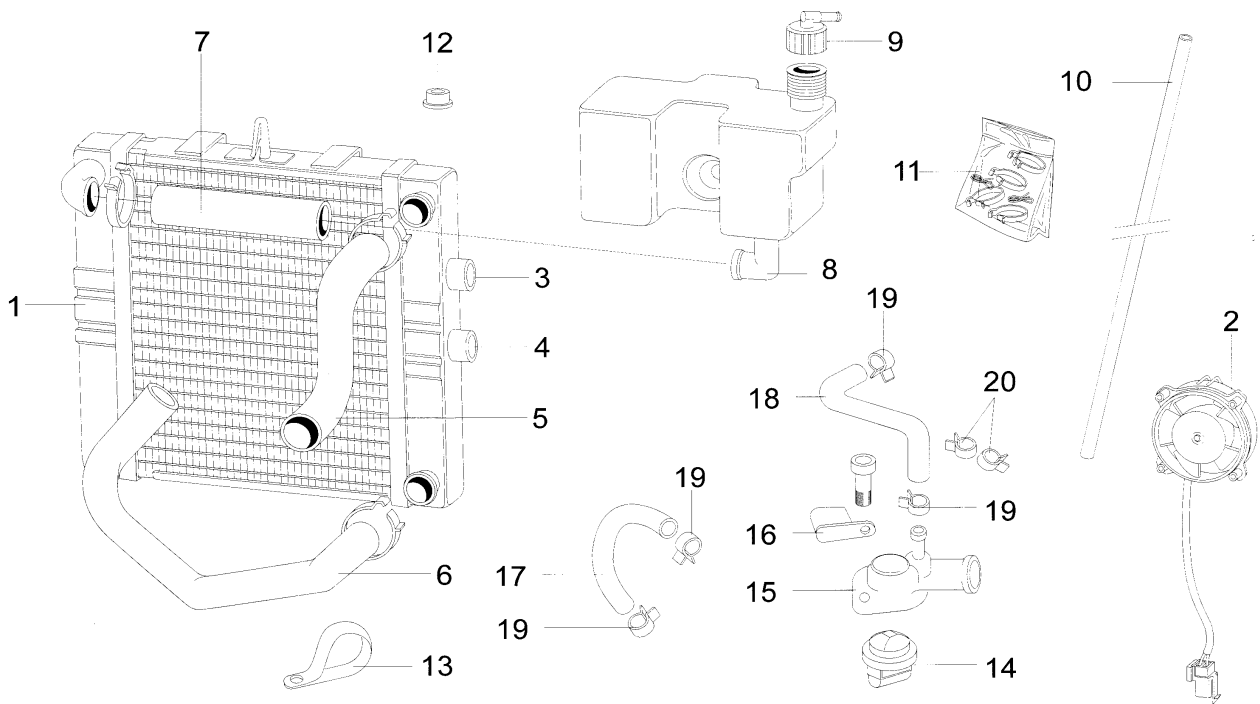
POS.	PARTS NUMBER	DESCRIPTION Spansk	DESCRIPTION Engelsk	NOTES	TG	Qty
1	R41110051A0	RUOTA ANTERIORE DISCO NUDA	BARE DISC FRONT WHEEL	-	0,6	1
2	R41240101A0	PNEUMATICO 120/7013 XXP	120/7013 XXP TYRE	-	-	1
3	R41410021A0	DISTANZIALE INTERNÖ CUSCINETTO	INTERNAL BEARING SPACER	-	0,5	1
4	R41410031A0	DISTANZIALE SX	LEFT SPACER	-	-	1
5	R41340041A0	CUSCINETTO RADIALE	RADIAL BEARING	-	0,5	2
6	R53410041A0	TRAMMISSIONE TACHIMETRO	SPEEDOMETER CABLE	-	0,5	1
7	R41540031A0	RINVIO CONTACHILOMETRI	SPEEDO DRIVE	-	0,2	1
8	R41340011AY	PERNO RUOTA	WHEEL PIN	-	-	1
9	R40140011A0	VALVOLE TUBELESS TR	TR TUBELESS VALVES	-	0,2	1
10	R43810041A0	DISCO FRENO DIAMETRO 240	BRAKE DISC D.240	-	0,3	1
11	R43990051A0	KIT VITI FISSAGGIO DISCO ANT.	FRONT DISC SCREW FIXING KIT	-	-	1
12	R43220131A0	GRUPPÒ TUBO FRENO COMP.ANT.	FRONT BRAKE PIPE SET	-	0,7	1
13	R43440281A0	VITE PER SPURGO PINZA	CALIPER DRAIN SCREW	-	-	1
14	R43440311A0	COPPIA PASTIGLIE FRENO	BRAKE PADS PAIR	-	-	1
15	R43340041AG	PINZA FRENO ANT. COMPL.	COMPLETE FRONT BREAK PINCERS	-	-	1



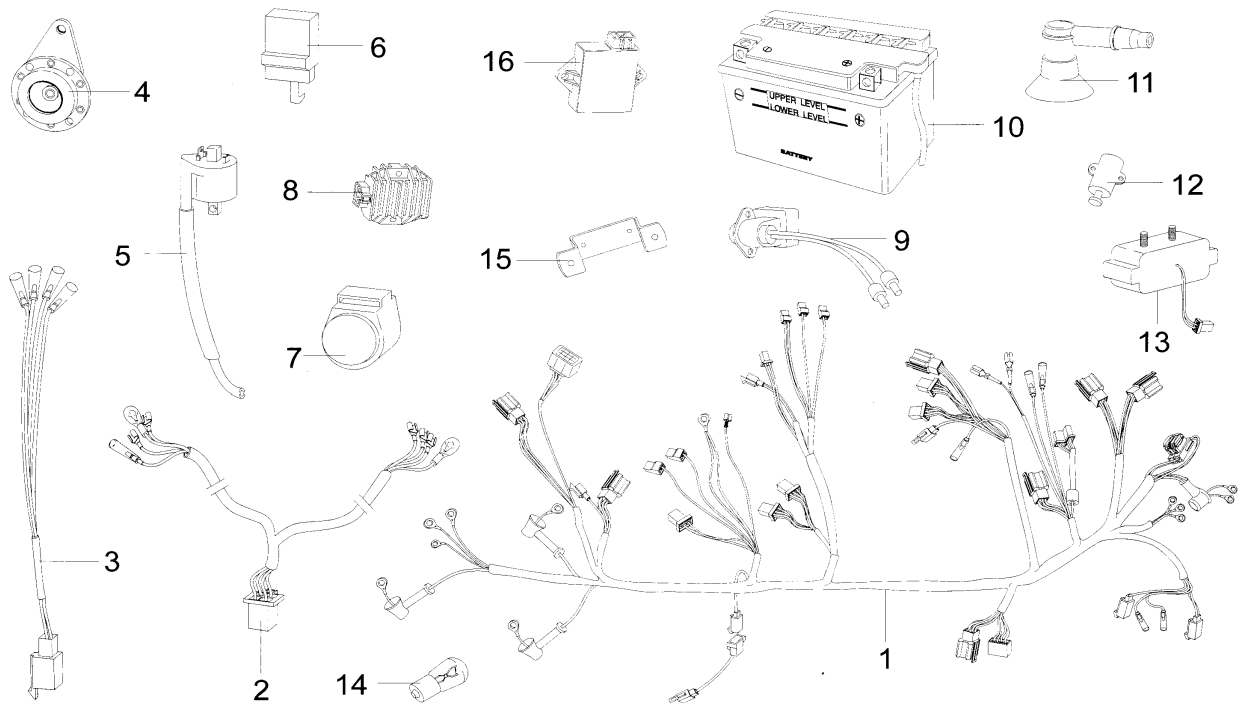
POS.	PARTS NUMBER	DESCRIPTION Spansk	DESCRIPTION Engelsk	NOTES	TG	Qty
1	R42110101A0	RUOTA POST. DISCO NUDA	BARE DISC REAR WHEEL	-	0,6	1
2	R40140051A0	VALVOLE TUBELESS TR	TR TUBELESS VALVES	-	0,2	1
3	R42240101A0	PNEUMATICO 140/70 12 XXP	140/70 12 XXP TYRE	-	0,6	1
4	R91350111 B	DADO AUTOFR. M14X1,5 DAX	LOCKNUT	-	-	1
5	R42390061A0	KIT VITI FISSAGGIO DISCO POST.	REAR DISC SCREW FIXING KIT	-	-	1
6	R43440281A0	VITE PER SPURGO PINZA	CALIPER DRAIN SCREW	-	-	1
7	R44440161A0	COPPIA PASTIGLIE FRENO	BRAKE PADS PAIR	-	-	1
8	R44220051A0	GR.TUBO FRENO COMPL. POST.	REAR BRAKE PIPE ASSEMBLY	-	1	1
9	R44810021A0	DISCO FRENO POST.	BRAKE DISC	-	0,3	1
10	R44340031AG	PINZA FRENO POST. COMPL.	COMPLETE REAR BREAK PINCERS	-	-	1



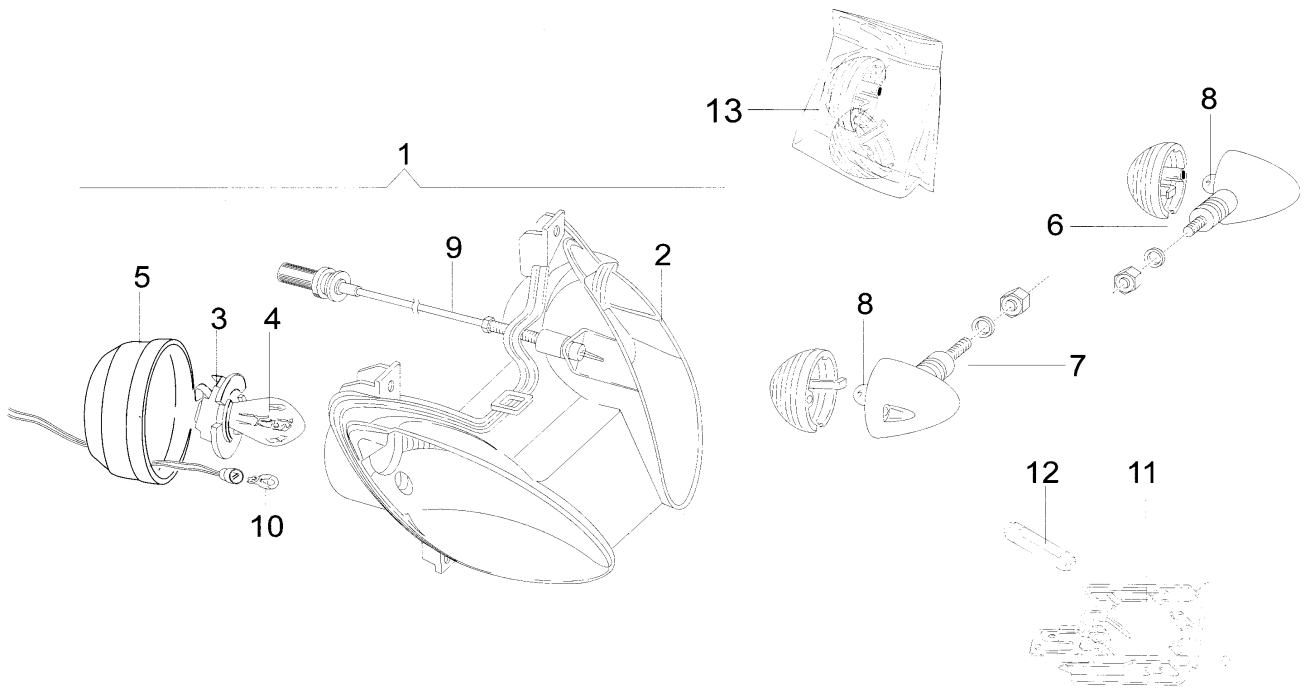
POS.	PARTS NUMBER	DESCRIPTION Spansk	DESCRIPTION Engelsk	NOTES	TG	Qty
1	R22020091AX	MANUBRIO VERNICIATO	PAINTED HANDLEBAR	-	0,6	1
2	R22210031A0	TUBO COMANDO GAS	THROTTLE CONTROL PIPE	-	0,1	1
3	R22490041A0	COPPIA MANOPOLE	HANDGRIP PAIR	-	-	1
4	R22640071A0	PORTABLOCCHETTO DX	RIGHT BLOCK HOUSING	-	0,1	1
5	R51110131A0	BLOCCHETTO ELETTRICO DX	RIGHT ELECTRIC BLOCK	-	0,4	1
6	R22640091A0	CAVALLOTTO PER BLOCCHETTO	U BOLT FOR WEDGE CLAMP	-	-	1
7	R22620081A0	PORTABLOCCHETTO SX	LEFT BLOCK HOUSING	-	0,7	1
8	R51110121A0	BLOCCHETTO ELETTRICO SX	LEFT ELECTRIC BLOCK	-	0,4	1
9	R22220151A0	COMANDO GAS COMPLETO	THROTTLE CONTROL ASSEMBLY	-	-	1
10	R22220121A0	TRASMISSIONE GAS	THROTTLE CABLE	-	0,4	1
11	R43140011A0	POMPA FRENO ANTERIORE	FRONT BRAKE PUMP	-	0,5	1
12	R43440061A0	CAPPEL. POM. FRENO ANT./POST.	F./R. BRAKE PUMP CAP	-	-	2
13	R43920031A0	KIT GUARNIZ.COP. POMPA A./P.	PUMP COVER GASKET KIT	-	-	2
14	R43440071A0	COPERCHIO POMPA FRENI A./P.	F./R. PUMP COVER	-	-	2
15	R43120021A0	LEVA FRENO DISCO	DISC BRAKE LEVER	-	-	2
16	R44140011A0	POMPA FRENO POSTERIORE	REAR BRAKE PUMP	-	0,5	1
17	R43440051A0	PISTONE POMPA FRENO	BRAKE PUMP PISTON	-	0,7	2
18	R43440081A0	TAPPÒ LIV. OLIO POMPA FR. A/P	PLUG FOR BRAKE PUMP OIL LEVEL	-	-	2
19	R51840071A0	CAPP. PER INTERR. STOP	COVER FOR STOP SWITCH	-	-	2
20	R51840061A0	INTERRUTTORE LUCE ARRESTÒ	STOP LIGHT SWITCH	-	0,1	2
21	R82040091A0	SPECCHIO SX	LEFT MIRROR	-	-	1
22	R82040081A0	SPECCHIO DX	RIGHT MIRROR	-	-	1
23	R22110271AY	DISTANZIALE SERR. MANUBRIO	HANDLEBAR LOCK SPACER	-	-	1



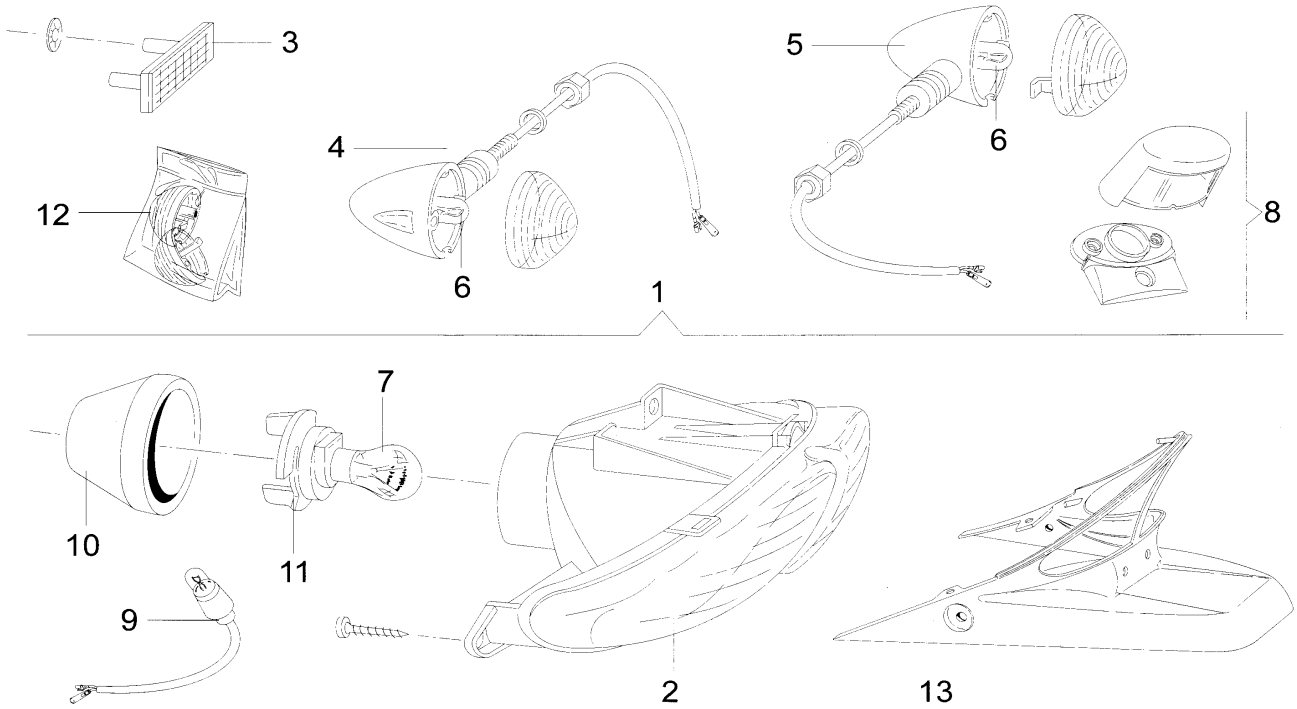
POS.	PARTS NUMBER	DESCRIPTION Spansk	DESCRIPTION Engelsk	NOTES	TG	Qty
1	R73117001A0	RADIATORE	RADIATOR	-	0,6	1
2	R73110051A0	ELETTOVENTOLA	HEATERFAN	-	0,4	1
3	R73340051A0	SONDA PER ELETTOVENTOLA	HEATER FAN FEELER	-	0,4	1
4	R73340061A0	SONDA TERMICA	TEMPERATURE SWITCH	-	0,3	1
5	R73217011A0	TUBO ACQUA DA MOT. A RAD.	WATER TUBE FROM ENG. TO RAD.	-	-	1
6	R73217001A0	TUBO ACQUA DA RAD. A POMP.	WATER TUBE FROM RAD. TO PUMP	-	-	1
7	R73210071A0	TUBO ACQUA DA NOURRICE A RAD.	WTR PIPE FRM EXPNS BOX TO RAD	-	-	1
8	R67310021A0	VASO ESPANSIONE (NOURICE)	EXPANSION BOX	-	-	1
9	R67410091A0	TAPPÒ	PLUG	-	-	1
10	R73210081A0	TUBO SFIATO	BREATHER PIPE	-	0,3	1
11	R73490051A0	KIT FASCETTE RADIATORE	RADIATOR CLAMP KIT	-	-	1
12	R73410021A0	GOMMINO SUPPORTO RADIATORE	RADIATOR SUPPORT RUBBER	-	-	1
13	R73417021AY	SUPPORTO TUBO RADIATORE	RADIATOR TUBE SUPPORT	-	-	1
14	R17140481A0	TERMOSTATO	THERMOSTAT	-	0,4	1
15	R17140491A0	COPERCHIO TERMOSTATO	THERMOSTAT COVER	-	-	1
16	R17140501A0	MORSETTO	HOLDFAST	-	-	1
17	R17140511A0	TUBO	PIPE	-	0,7	1
18	R17140521A0	TUBO	PIPE	-	0,7	1
19	R17140531A0	CLIP	CLIP	-	-	4
20	R17140541A0	MORSETTO	HOLDFAST	-	-	1



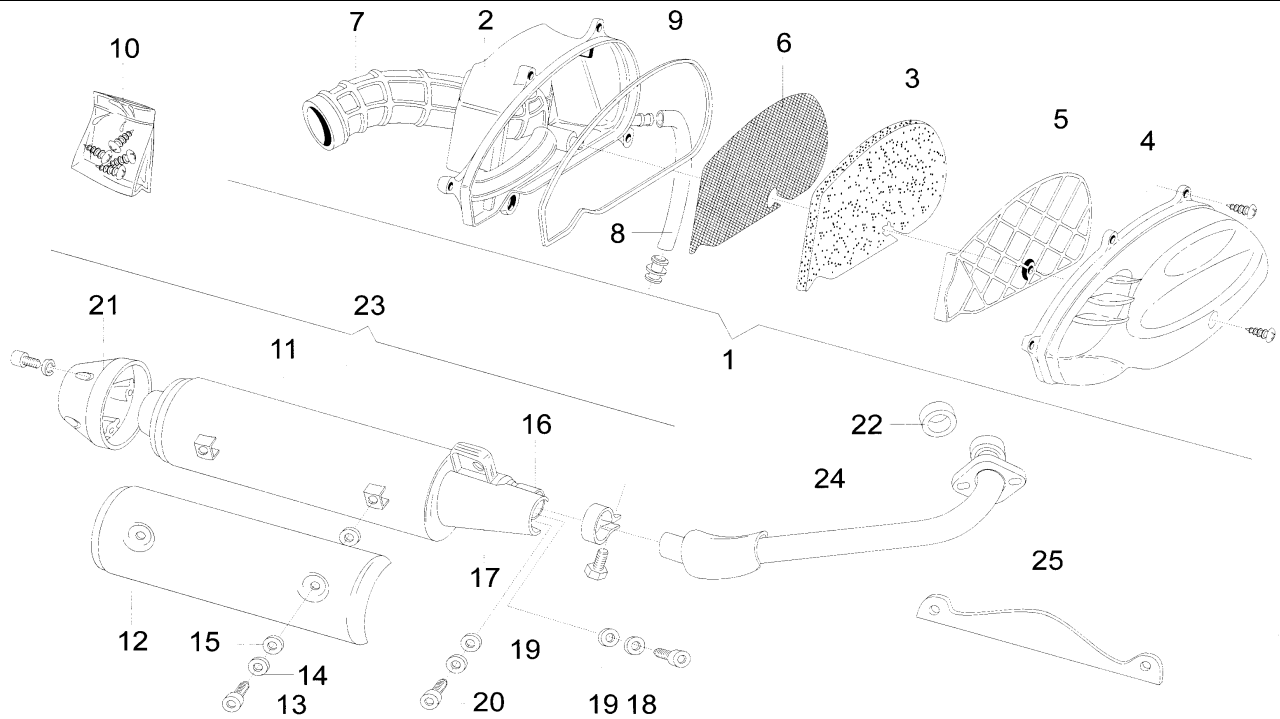
POS.	PARTS NUMBER	DESCRIPTION Spansk	DESCRIPTION Engelsk	NOTES	TG	Qty
1	R54110081A0	CABLAGGIO CENTRALE	RADIATOR CLAMP KIT	-	2,5	1
2	R54210071A0	CABLAGGIO FARO ANT.	FRONT HEAD LAMP HARNESS	-	0,4	1
3	R54710041A0	CABLAGGIOINTERR.STOP	STOP BUTTON HARNESS	-	0,4	1
4	R51420041A0	GR. AVVIS. ACUSTICO + STAFFA	HORN + BRACKET ASS.	-	-	1
5	R51240111A0	BOBINA	COIL	-	0,3	1
6	R51640011A0	RELAIS CON SUPPORTO	WITH SUPPORT RELAY	-	0,1	1
7	R51890211A0	INTERMITTENZA COMPLETA	COMPLETE RELAY	-	0,2	1
8	R51540071A0	REGOLATORE	REGULATOR	-	0,2	1
9	R17140211A0	SONDA RILEVAMENTO TEMP. ARIA	AIR TEMP. INDICATOR PROBE	-	-	1
10	R81040101A0	BATTERIA	BATTERY	-	-	1
11	R51740101A0	PIPETTA CANDELA	SPARK PLUG TUPE	-	-	1
12	R51840151A0	INT. CAVALLETTO LATERALE	SIDE PROP STAND SWITCH	-	0,4	1
13	R51640021A0	RELAIS DI POTENZA *	POWER RELAY	-	0,2	1
14	R52440041A0	LAMPADINA IND.DIR.12V 10W	INDICATOR LAMP	-	0,1	2
15	R66017011AY	SUPPORTO CDI	CDI SUPPORT	-	-	1
16	R51340071A0	CDI COMPLETO	COMPLETE CDI	-	0,2	1



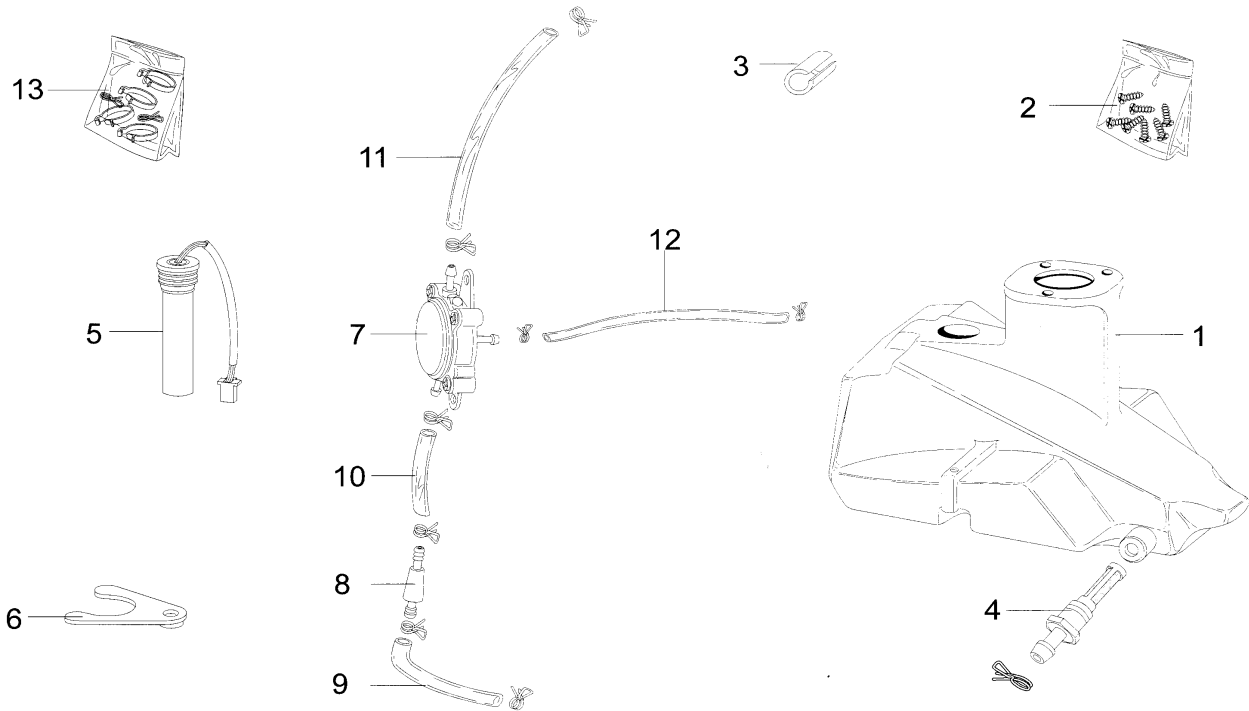
POS.	PARTS NUMBER	DESCRIPTION Spansk	DESCRIPTION Engelsk	NOTES	TG	Qty
1	R52140331A0	GRUPPÒ FARO ANTERIORE	FRONT LIGHT ASSEMBLY	-	0,4	1
2	R52140461A0	FARO ANTERIORE	FRONT LIGHT	-	0,2	1
3	R52740051A0	PORTALAMPADA	LAMP SOCKET	-	0,1	2
4	R52440101A0	LAMPADINA FARO ANT. 12V 35/35W	HEADLIGHT LAMP	-	0,4	2
5	R52640131A0	CAPPUCCIO PER FARO ANT.	HEAD LAMP CAP	-	0,2	2
6	R52140401A0	IND. DIR. ANT. DX / POST. SX	FRONT RGHT/REAR LFT INDICATOR	-	0,1	1
7	R52140411A0	IND. DIR. ANT. SX / POST. DX	FRONT LFT/REAR RGHT INDICATOR	-	-	1
8	R52440041A0	LAMPADINA IND.DIR.12V 10W	INDICATOR LAMP	-	0,1	2
9	R52640171A0	DISP. REGOLAZIONE FARO	HEAD LAMP ADJUST. DEVICE	-	0,4	1
10	R52440091A0	LAMPADINA DI POSIZIONE 12V 5W	POSITION LAMP 12V 5W	-	-	2
11	R51840101A0	ILLUMINAZIONE VAND CASCO	HELMET COMPARTMENT LIGHT	-	-	1
12	R52440111A0	LAMPADINA 12V 5W	LAMP	-	-	1
13	R52190561A0	CONF. COPPETTE IND. SX DX	IND. LFT RGHT SOCKET KIT	-	-	1



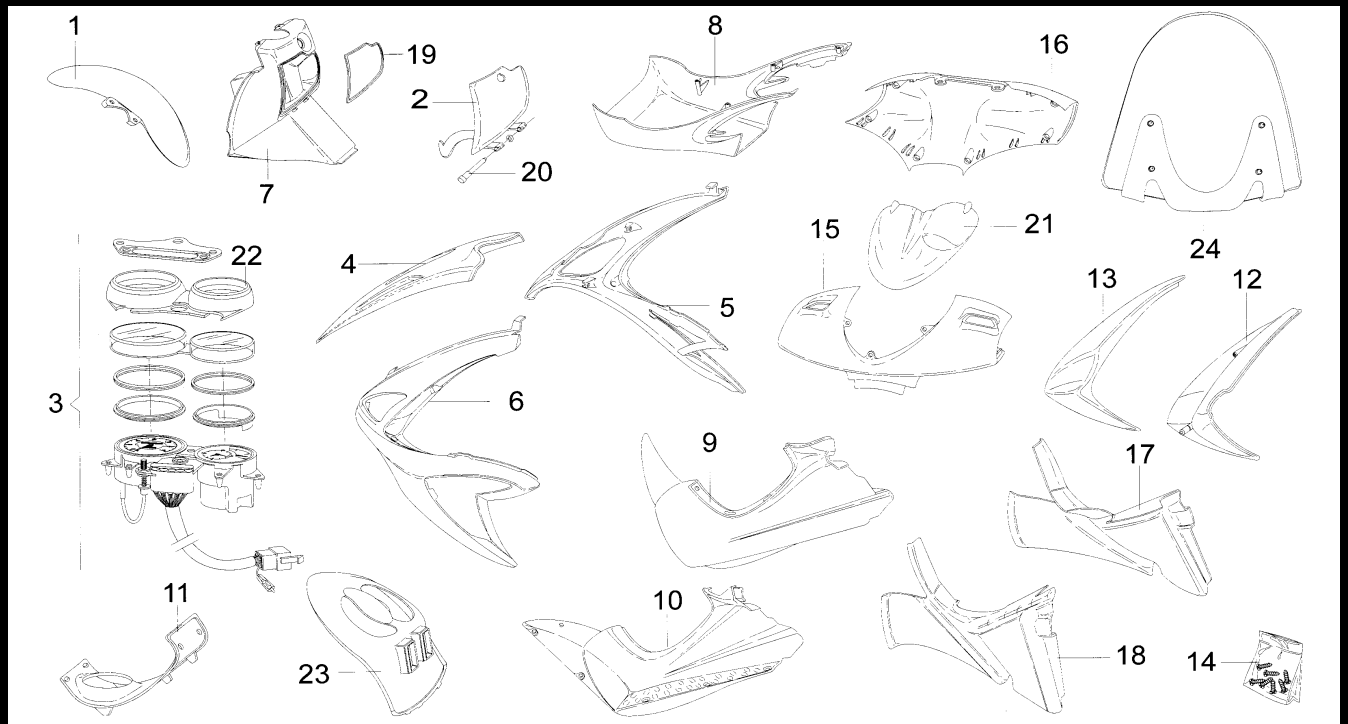
POS.	PARTS NUMBER	DESCRIPTION Spansk	DESCRIPTION Engelsk	NOTES	TG	Qty
1	R52140341A0	FARO POST. COMPL.	COMPLETE REAR HEAD LAMP	-	0,6	1
2	R52240171A0	VETRO FARO POSTERIORE+VITI	TAIL LAMP GLASS CVR+SCREWS	-	-	1
3	R52840041A0	CATADIOTTRO POSTERIORE	REAR REFLECTOR	-	-	1
4	R52140401A0	IND. DIR. ANT. DX / POST. SX	FRONT RGHT/REAR LFT INDICATOR	-	0,1	1
5	R52140411A0	IND. DIR. ANT. SX / POST. DX	FRONT LFT/REAR RGHT INDICATOR	-	0,1	1
6	R52440041A0	LAMPADINA IND.DIR. 12V 10W	INDICATOR LAMP	-	0,1	2
7	R52440061A0	LAMPADINA FARO POST. 12V	REAR LAMP	-	0,1	1
8	R52140471A0	ILLUMINAZIONE TARGA	NUMBER PLATE LIGHT	-	-	1
9	R52410121A0	LAMPADINA 12V 5W	LAMP	-	-	1
10	R52640151A0	CAPPUCCIO PER FARO	LAMP HOLDER CAP	-	0,4	1
11	R52640161A0	PORTALAMPADA	LAMP SOCKET	-	-	1
12	R52190561A0	CONF. COPPETTE IND. SX DX	IND. LFT RGHT SOCKET KIT	-	-	1
13	R52140441A0	SUPPORTO FARO POST.	REAR HEADLIGHT SUPPORT	-	-	1



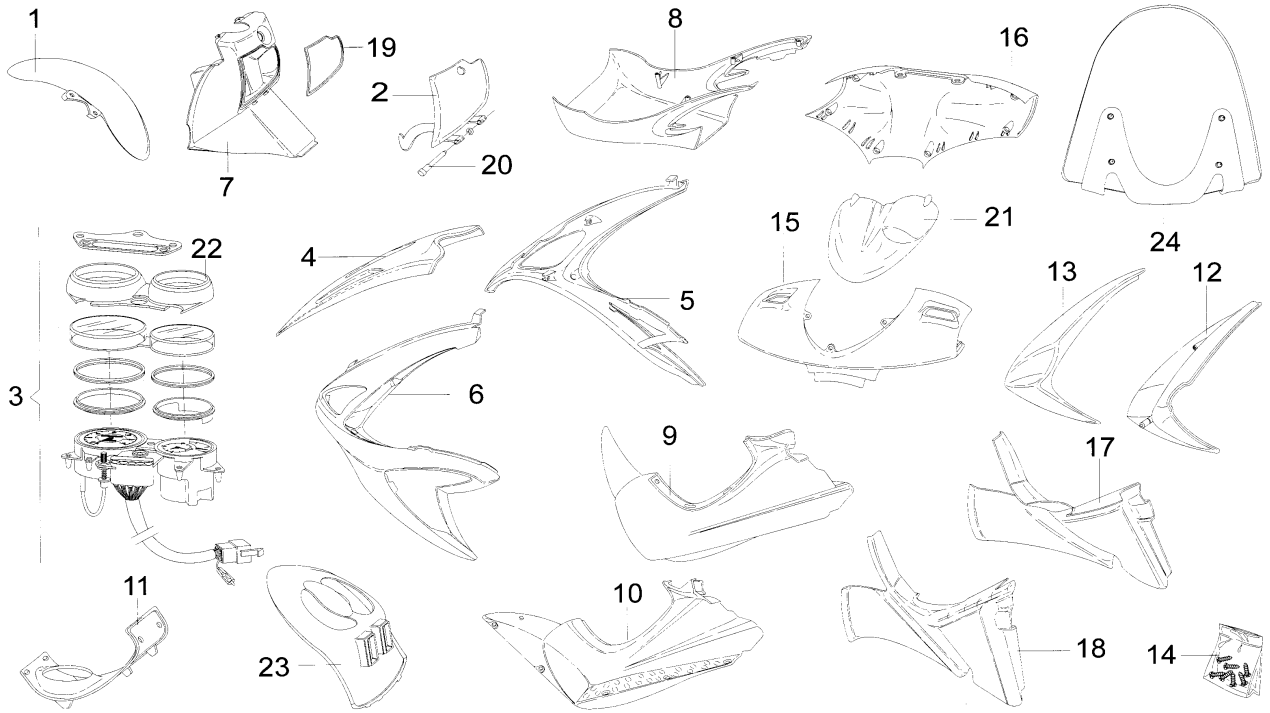
POS.	PARTS NUMBER	DESCRIPTION Spansk	DESCRIPTION Engelsk	NOTES	TG	Qty
1	R72027001A0	SCATOLA FILTRO COMPLETA	FILTER BOX ASSEMBLY	-	0,2	1
2	R72217001AZ	SCATOLA FILTRO ARIA	AIR FILTER BOX	-	-	1
3	R72317001AZ	ELEMENTO FILTRANTE	FILTER CARTRIDGE	-	0,2	1
4	R72117001AZ	COPERCHIO SCATOLA FILTRO	FILTER CASE COVER	-	-	1
5	R72517011AZ	GRIGLIA FILTRO ARIA	AIR FILTER GRID	-	-	2
6	R72317011A0	RETE ANTIFLAMMA	FLAME RETARDANT SCREEN	-	-	2
7	R72417001AZ	RACCORDO CARBURANTE	FUEL PIPE UNION	-	-	1
8	R72517021A0	TUBO DRENAGGIO	DRAINAGE TUBE	-	-	1
9	R72517001AZ	GUARNIZIONE	GASKET	-	-	1
10	R72590111A0	GRUPPO VITE E FASCETTA	SCREWS AND CLIPS SET	-	-	1
11	R71140261A0	MARMITTA	EXHAUST PIPE	-	-	1
12	R71140271A0	COPRIMARMITTA POST. COMPL.	COMPL. REAR EXHAUST COVER	-	-	1
13	R71140281A0	VITE	SCREW	-	-	3
14	R71140291A0	RONDELLA	WASHER	-	-	3
15	R71140301A0	RONDELLA	WASHER	-	-	6
16	R71140311A0	GUARNIZIONE	GASKET	-	-	1
17	R71140321A0	COPRIMARMITTA ANT.	FRONT EXHAUST COVER	-	-	1
18	R71140331A0	RONDELLA	WASHER	-	-	1
19	R71140341A0	RONDELLA	WASHER	-	-	6
20	R71140351A0	VITE FLANGIATA	FLANGED SCREW	-	-	2
21	R71140361A0	COPERCHIO MARMITTA	EXHAUST COVER	-	-	1
22	R71340101A0	GUARNIZIONE SCARICO	EXHAUST PIPE GASKET	-	0,2	1
23	R71110251A0	MARMITTA COMPLETA	EXHAUST PIPE ASSEMBLY	-	-	1
24	R71220371A0	COLLETTORE	MANIFOLD	-	0,3	1
25	R71917001AX	SUPPORTO MARMITTA	EXHAUST SUPPORT	-	-	1



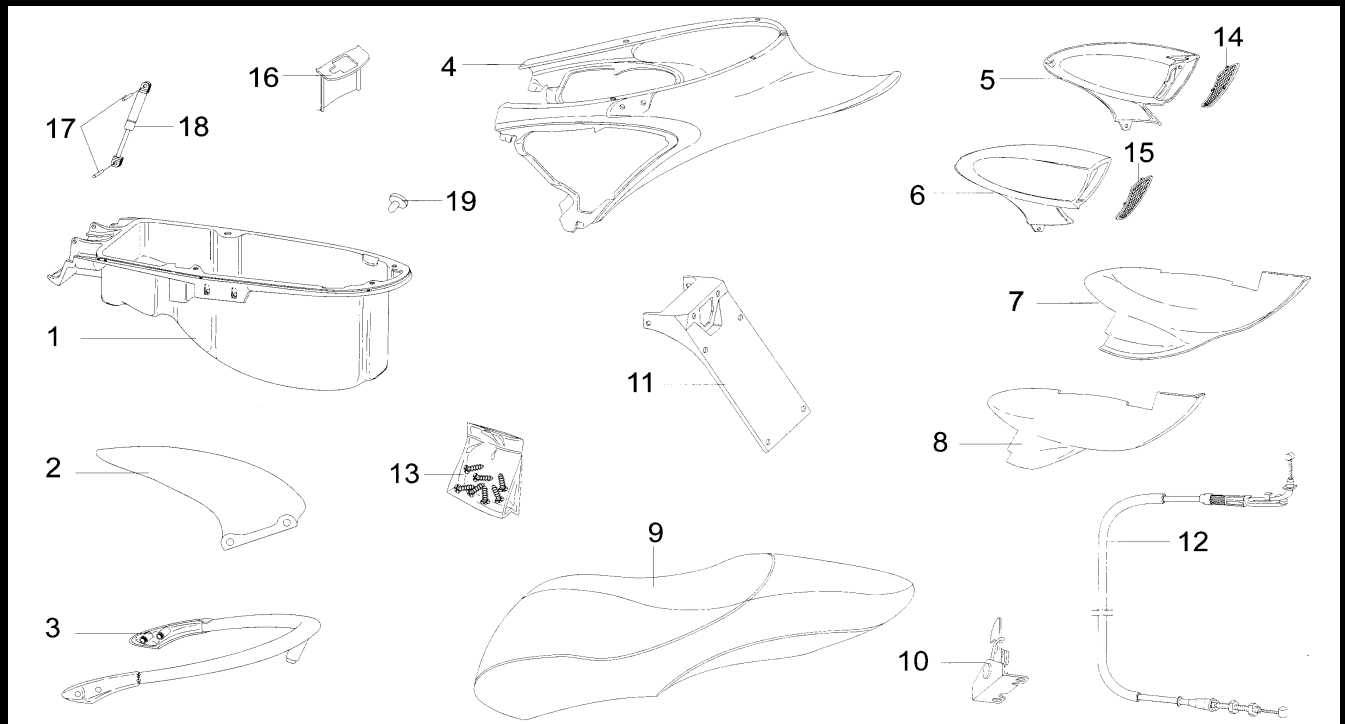
POS.	PARTS NUMBER	DESCRIPTION Spansk	DESCRIPTION Engelsk	NOTES	TG	Qty
1	R67110121AZ	SERBAT010 CARBURANTE	FUEL TANK	-	1	1
2	R67990061A0	GR. VITT E RONDELLE	SCREWS/WASHERS SET	-	-	1
3	R25510011AO	MANICOTTO ELASTICO	ELASTIC SLEEVE	-	-	2
4	R67740021A0	RACCORDO CON FILTRO	JOINT WITH FILTER	-	-	1
5	R67510121A0	SONDA LIVELLO CARBURANTE	FUEL LEVEL PROBE	-	0,3	1
6	R21311071A0	PIASTRINO SONDA CARBURANTE	FUEL PROBE PLATE	-	0,3	1
7	R67140241A0	POMPA BENZINA COMPL	FUEL PUMP	-	0,2	1
8	R67740031A0	VALVOLA DI NON RITORNO	NON RETURN VALVE	-	0,1	1
9	R67810181A0	TUBO BENZINA SERB.	PETROL TANK PIPE	-	0,1	1
10	R67810131A0	TUBO DA VALV. A POMPA	PIPE FRM VALVE TO PUMP	-	0,1	1
11	R67810141A0	TUBO DA POMPA A CARB.	PIPE FRM PUMP TO CARBURET.	-	0,1	1
12	R67810151A0	TUBO DA POMPA A COLLETTORE	PIPE FRM PUMP TO MANIFOLD	-	0,2	1
13	R67990091A0	GR. FASCETTE	CLAMP SET	-	-	1



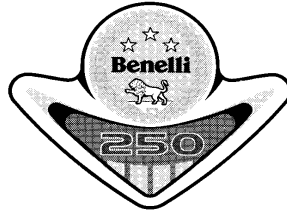
POS.	PARTS NUMBER	DESCRIPTION Spansk	DESCRIPTION Engelsk	NOTES	TG	Qty
1	R63010091AAH	PARAFANGO ANTER. GRIGIO	FRONT MUDGUARD GREY	-	0,1	1
1	R63010091AAE	PARAFANGO ANT. BLU	FRONT MUDGUARD BLEU	-	-	1
1	R63010091AAI	PARAFANGO ANTERIORE ROSSO	FRONT MUDGUARD RED	-	-	1
2	R62010271AZ	SPORTELLO BAULETTO	STORAGE BOX DOOR	-	0,5	1
3	R53140071A0	CRUSCOTTO COMPLETO	COMPL. INSTRUMENT BOARD	-	0,4	1
4	R62020301AAG	SCUDO CENTRALS ALLUMINIO	CENTRAL ALUMINIUM SHIELD	-	-	1
5	R62010211AAH	SEMISCUDO DX GRIGIO	RIGHT HALFSHIELD GREY	-	0,7	1
5	R62010211AAE	SEMISCUDO DX BLU	RIGHT HALFSHIELD BLEU	-	0,7	1
5	R62010211AAI	SEMISCUDO DX ROSSO	RIGHT HALFSHIELD RED	-	0,7	1
6	R62010221AAH	SEMISCUDO SX GRIGIO	LEFT HALFSHIELD GREY	-	0,7	1
6	R62010221AAE	SEMISCUDO SX BLU	LEFT HALFSHIELD BLEU	-	0,7	1
6	R62010221AAI	SEMISCUDO SX ROSSO	LEFT HALFSHIELD RED	-	0,7	1
7	R66020161A0	BAULETTO	STORAGEBOX	-	0,5	1
8	R62010291AAH	PUNTONE GRIGIO	LOWER COWLING GREY	-	0,4	1
8	R62010291AAE	PUNTONE BLU	LOWER COWLING BLEU	-	-	1
8	R62010291AAI	PUNTONE ROSSO	LOWER COWLING RED	-	-	1
9	R69010311AZ	FIANCH. PEDANA POGGIAPIEDI DX	RIGHT FOOTBOARD	-	0,3	1
10	R69010321AZ	FIANCH. PEDANA POGGIAPIEDI SX	LEFT FOOTBOARD	-	0,3	1
11	R69010341AZ	CHIUSURA TUNNEL	TUNNEL CLOSING	-	0,2	1
12	R62010231AH	RIPORTO LATERALS DX CROMATO	RGHT CHROME SHIELD	-	0,2	1
13	R62010241AH	RIPORTO LATERALS SX CROMATO	LFT CHROME SHIELD	-	-	1
14	R62190201A0	CONF. VITT PLASTICHE ANT.	FRONT PLASTIC SCREW KIT	-	-	1
15	R61110041AAH	COPRIMANUBRIO ANT. GRIGIO	FRONT HANDLEBAR COVER GREY	-	0,5	1
15	R61110041AAE	COPRIMANUBRIO ANT. BLU	FRONT HANDLEBAR COVER BLEU	-	0,5	1
15	R61110041AAI	COPRIMANUBRIO ANT. ROSSO	FRONT HANDLEBAR COVER RED	-	0,5	1
16	R61110051AAE	COPRIMANUBRIO POST. BLU	REAR HANDLEBAR COVER BLEU	-	0,3	1
16	R61110051AAI	COPRIMANUBRIO POST. ROSSO	REAR HANDLEBAR COVER RED	-	0,3	1
16	R61110051AAH	COPRIMANUBRIO POST. GRIGIO	REAR HANDLEBAR COVER GREY	-	0,3	1



POS.	PARTS NUMBER	DESCRIPTION Spansk	DESCRIPTION Engelsk	NOTES	TG	Qty
17	R62010341AZ	CONVOGLIATORE ARIA DX	RGHT AIR CONVEYOR	150/250 cc	0,3	1
18	R62010351AZ	CONVOGLIATORE ARIA SX	LFT AI R CONVEYOR	150/250 cc	0,3	1
19	R62010331A0	GUARNIZ. BAULETTO	HELMET COMPARTM. SEAL	-	0,1	1
20	R62110051AY	PERNO CERNIERA SPORTELO	DOOR PIN HINGE	-	-	2
21	R61010011AH	SCUDO MANUBRIO CROMATO	CHROMED HANDLEBAR SHIELD	-	0,4	1
22	R53210021AH	MASCHERINA CRUSCOTTO	INSTRUMENT PANEL MASK	-	0,4	1
23	R67410101A0	FINIZIONE TAPPO CARBURANTE	FINISHING OF FUEL CAP	-	0,1	1
24	R62120171A0	PARABREZZA COMPLETO	COMPLETE WINDSHIELD	-	-	1



POS.	PARTS NUMBER	DESCRIPTION Spansk	DESCRIPTION Engelsk	NOTES	TG	Qty
1	R66010101AZ	VAND CASCO	HELMET COMPARTMENT	-	0,7	1
2	R63017001AZ	PARAFANGO POST. NERO MASSA	REAR MUDGUARD \ENDASH BLACK	-	0,1	1
3	R21620071AH	MANIGLIONE	GRIP	-	0,2	1
4	R69020301AAH	CODONE GRIGIO	GREY COWLING	-	0,6	1
4	R69020301AAE	CODONE BLU	BLUE COWLING	-	0,6	1
4	R69020301AAI	CODONE ROSSO	RED COWLING	-	0,6	1
5	R69010361AH	PRESA ARIA DX CROMATA	RGHT AIR INTAKE (CHROMED)	-	0,1	1
6	R69010371AH	PRESA ARIA SX CROMATA	LFT AIR INTAKE (CHROMED)	-	-	1
7	R62010311AZ	CHIUSURA INF. LAT. DX	RGHT SIDE LOW CLOSING	-	-	1
8	R62010321AZ	CHIUSURA INF. LAT. SX	LFT SIDE LOW CLOSING	-	-	1
9	R65020291A0	SELLA	SADDLE	-	0,2	1
10	R55440211A0	LEVISMO SELLA A51619	A51619 SADDLE	-	0,1	1
11	R69110091AZ	PORTATARGA	NUMBER PLATE HOLDER	-	0,1	1
12	R55440221A0	CAVO SGANCIO SELLA	SADDLE RELEASE WIRE	-	0,5	1
13	R69190071A0	CONF. VITT PLASTICHE POST.	SET REAR PLASTIC SCREWS	-	-	1
14	R69010381AZ	MOSTRINA DX	RGHT FRAME	-	-	1
15	R69010391AZ	MOSTRINA SX	LFT FRAME	-	-	1
16	R65310201AZ	MOSTRINA SERRATURA	LOCK FRAME	-	-	1
17	R65340251A0	AMMORTIZZATORE	THROTTLE	-	1,15	1
18	R65310191AY	PERNO DI FISSAGGIO	FIXING PIN	-	-	2
19	R66010171AZ	GOMMINO	RUBBER	-	-	1

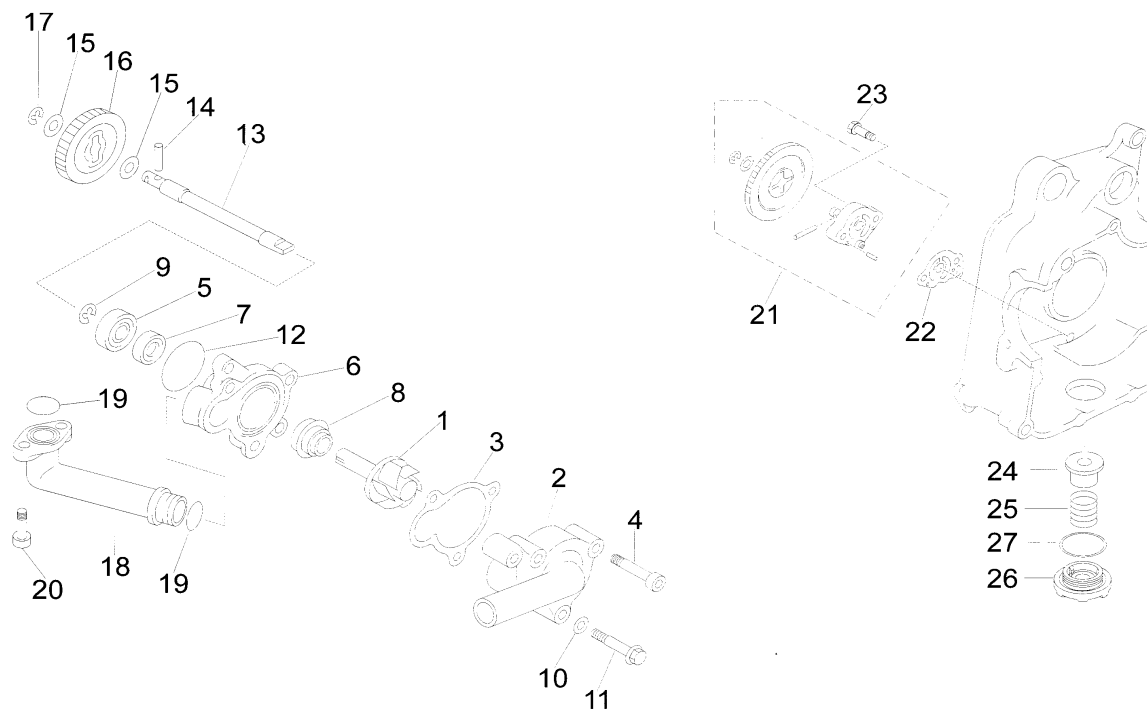


Benelli

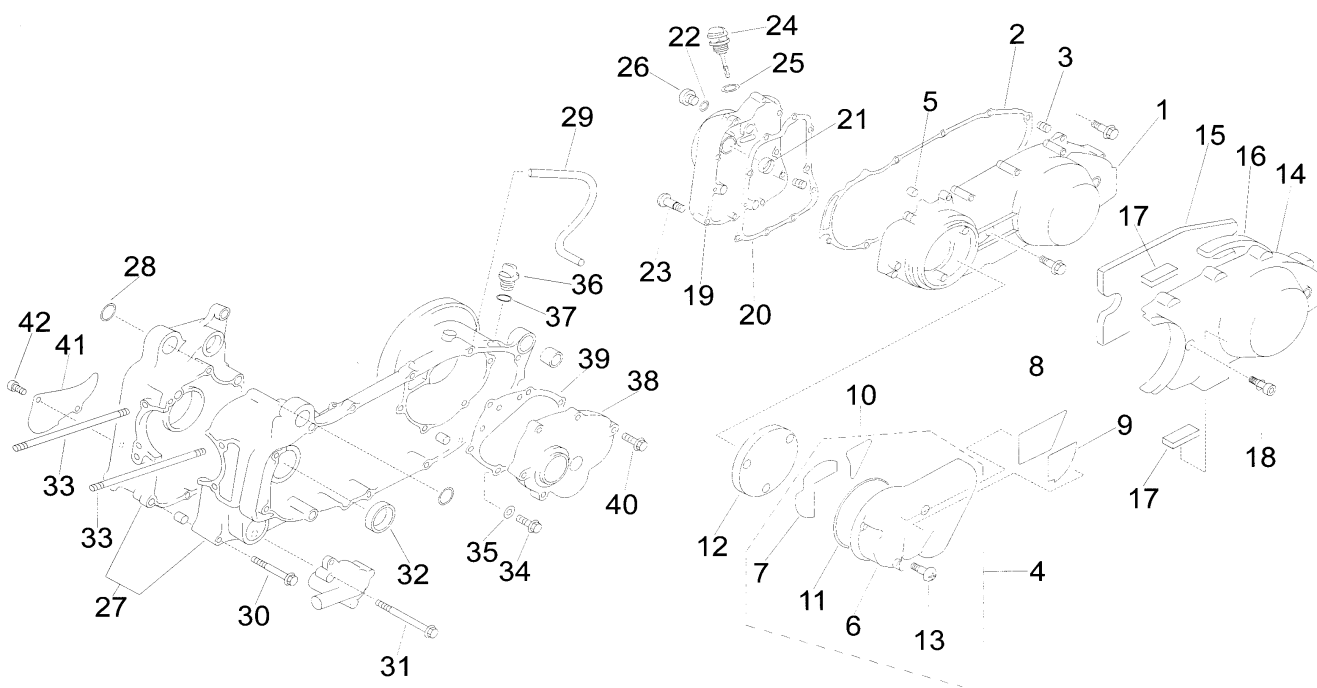
Velvet 250

1

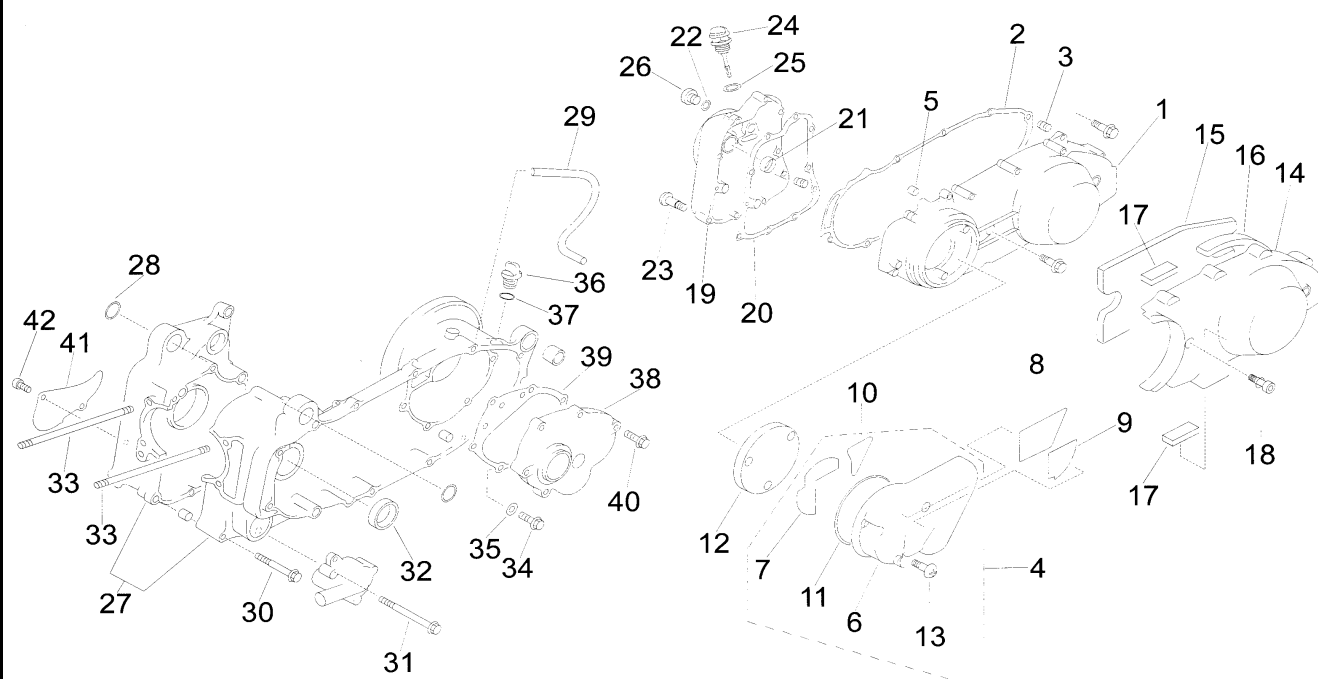
POS.	PARTS NUMBER	DESCRIPTION Spansk	DESCRIPTION Engelsk	NOTES	TG	Qty
1	R83020781A0	GR. GRAFICHE VELVET 250	VELVET 250 STICKER SET	-	-	1



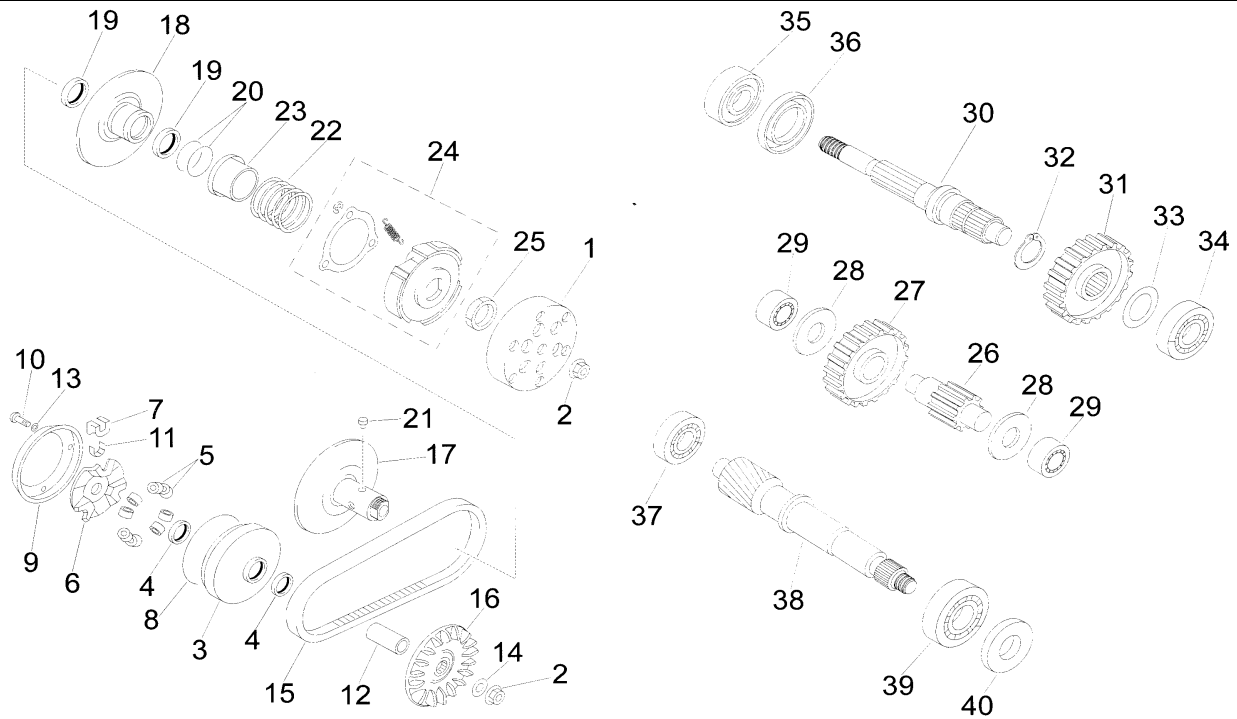
POS.	PARTS NUMBER	DESCRIPTION Spansk	DESCRIPTION Engelsk	NOTES	TG	Qty
1	R17140281A0	GIRANTE POMPA COMPLETO	COMPLETE PUMP IMPELLER	-	-	1
2	R17140291A0	COPERCHIO POMPA ACQUA	WATER PUMP COVER	-	-	1
3	R17140301A0	GUARNIZIONE	GASKET	-	-	1
4	R17140311A0	VITE	SCREW	-	-	2
5	R17140321A0	CUSCINETTO	BEARING	-	-	1
6	R17140331A0	CORPO POMPA ACQUA	WATER PUMP BODY	-	0,8	1
7	R17140341A0	PARAOILIO	OIL SEAL	-	-	1
8	R17140351A0	GUARNIZIONE	GASKET	-	-	1
9	R17140361A0	SEEGER	SEEGER	-	-	1
10	R17140371A0	GUARNIZIONE	GASKET	-	-	1
11	R17140381A0	VITE FLANGIATA	SCREW	-	-	1
12	R17140391A0	O-RING	O-RING	-	-	1
13	R17140401A0	ALBERO	SHAFTARBRE	-	-	1
14	R17140411A0	SPINA	PIN	-	-	2
15	R17140421A0	RONDELLA	WASHER	-	-	2
16	R17140431A0	INGRANAGGIO ALBERO POMPA	PUMP SHAFT GEAR	-	-	1
17	R17140441A0	SEEGER	SEEGER	-	-	1
18	R17140451A0	COLLETTORE POMPA ACQUA	WATER PUMP MANIFOLD	-	0,3	1
19	R17140461A0	O-RING	O-RING	-	-	2
20	R17140471A0	VITE	SCREW	-	-	2
21	R11540061A0	POMPA OLIO COMPLETA	OIL PUMP ASSEMBLY	-	-	1
22	R11540071A0	GUARNIZIONE	GASKET	-	-	1
23	R11540081A0	VITE	SCREW	-	-	2
24	R11540091A0	FILTRO OLIO	OIL FILTER	-	-	1
25	R11540101A0	MOLLA	SPRING	-	-	1
26	R11540111A0	TAPPÒ DI DRENAGGIO OLIO	OIL DRAINAGE CAP	-	-	1
27	R11540121A0	O-RING	O-RING	-	-	1



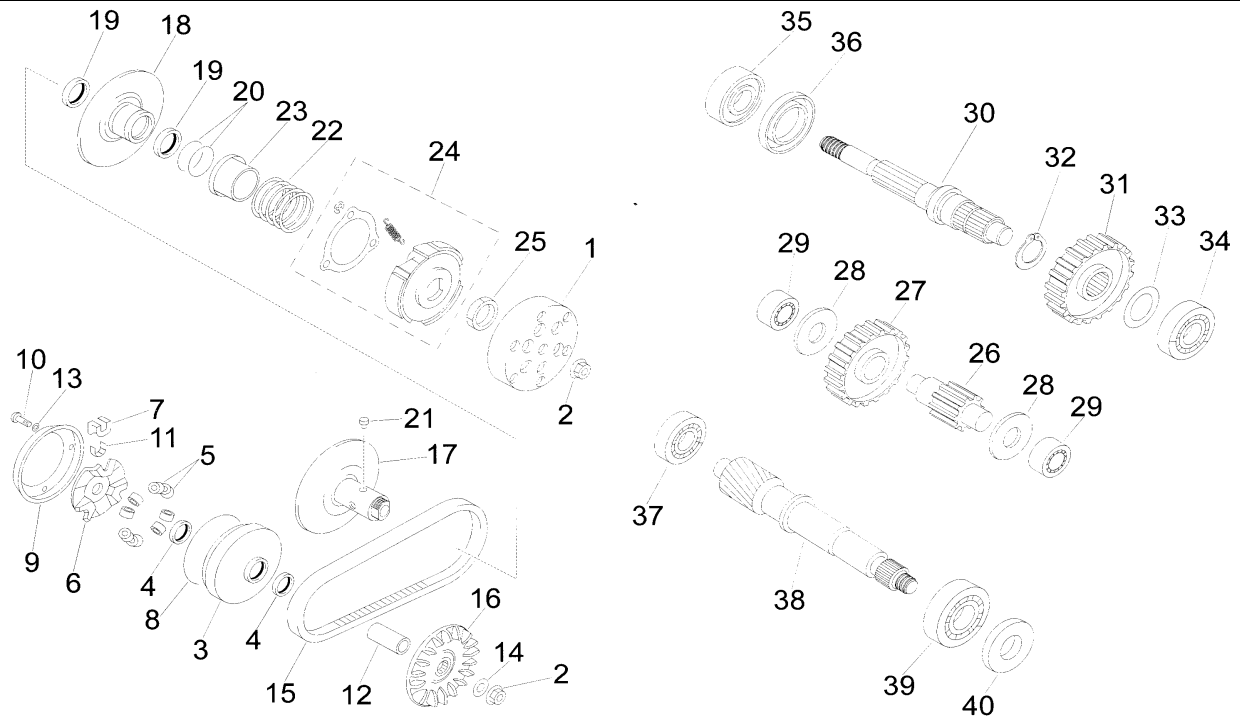
POS.	PARTS NUMBER	DESCRIPTION Spansk	DESCRIPTION Engelsk	NOTES	TG	Qty
1	R11040871A0	COPERCHIO MESSAIN MOTO	STARTER COVER	-	-	1
2	R11040881A0	GUARNIZIONE	GASKET	-	1,4	1
3	R11040891A0	SPINA	PIN	-	-	2
4	R17040331A0	ASSIEME CONVOGLIATORE ARIA	AIR CONVEYOR SET	-	-	1
5	R11040901A0	BOCCOLA	BUSH	-	-	1
6	R11040911A0	COPERCHIO CONVOGLIATORE ARIA	AIR CONVEYOR COVER	-	-	1
7	R11040921A0	ANTIVIBRANTE	VIBRATION-DAMPING	-	-	1
8	R11040931A0	ANTIVIBRANTE MOTORE	MOTOR VIBRATION-DAMPING	-	-	1
9	R11040941A0	PROTEZIONE	GUARD	-	-	1
10	R11040951A0	PROTEZIONE COPERCHIO	COVER PROTECTION	-	-	1
11	R11040961A0	GUARNIZ. CONVOGLIATORE ARIA	AIR CONVEYOR GASKET	-	-	1
12	R17040311A0	ELEMENTÖ 1	ELEMENT 1	-	-	1
13	R11350731A0	VITE TESTA BOMBATA	SCREW	-	-	3
14	R17040321A0	COPRICARTER 3	TIMING CASE COVER 3	-	-	1
15	R17040281A0	ANTIVIBRANTE 1	VIBRATION-DAMPING 1	-	-	1
16	R17040291A0	ANTIVIBRANTE 2	VIBRATION-DAMPING 2	-	-	1
17	R17040301A0	ANTIVIBRANTE 3	VIBRATION-DAMPING 3	-	-	2
18	R11040971A0	VITE	SCREW	-	-	2
19	R11040981A0	COPERCHIO LATO VOLANO	COVER FLYWHEEL SIDE	-	0,2	1
20	R11040991A0	GUARNIZIONE	GASKET	-	-	1
21	R11041001A0	PARAOILIO	OIL SEAL	-	1,2	1
22	R11041051A0	O-RING	O-RING	-	-	1
23	R11041011A0	VITE FLANGIATA	SCREW	-	-	10
24	R11041021A0	TAPPÖ ASTA CONTROLLO OLIO	OIL LEVEL ROD COVER	-	-	1
25	R11041031A0	O-RING	O-RING	-	-	1
26	R11041041A0	TAPPÖ	COVER	-	-	1
27	R11040681A0	BASAMENTO COMPLETO	COMPLETE BASE	-	4	1
28	R11040691A0	SOSTEGNO	SUPPORT	-	-	2



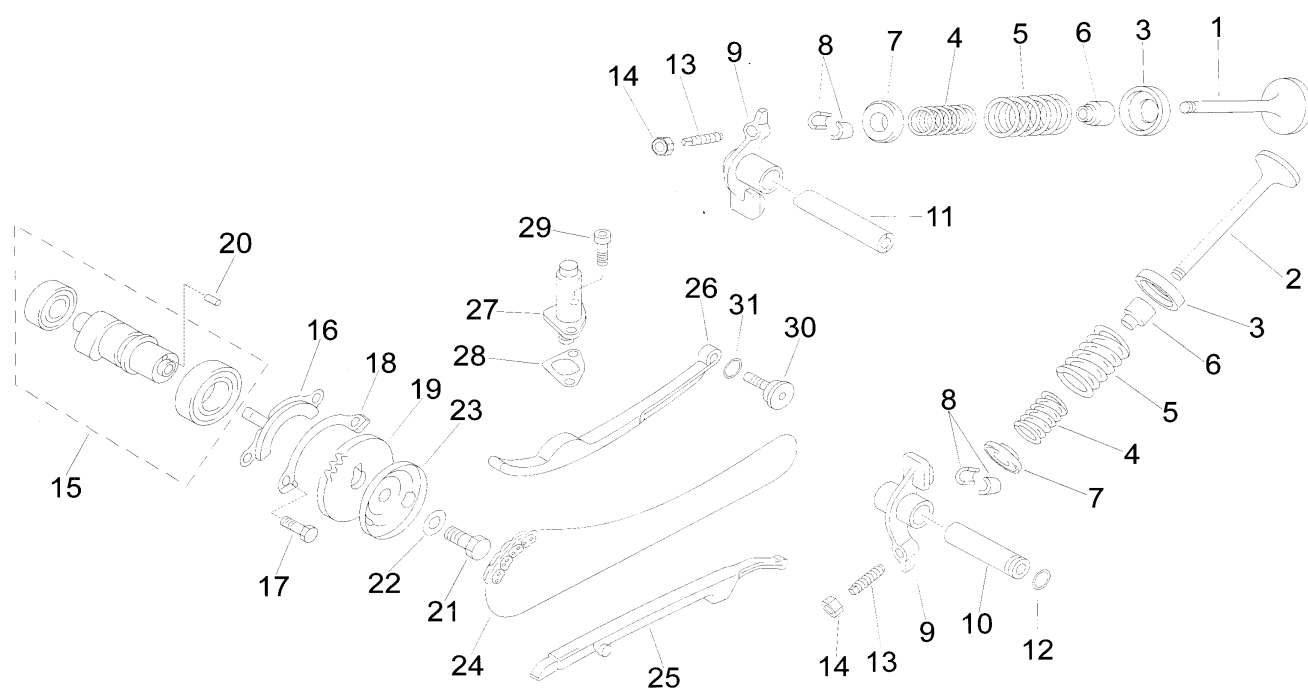
POS.	PARTS NUMBER	DESCRIPTION Spansk	DESCRIPTION Engelsk	NOTES	TG	Qty
29	R11040731A0	TUBO	PIPE	-	-	1
30	R11040741A0	VITE FLANGIATA	SCREW	-	-	4
31	R11040751A0	VITE FLANGIATA	SCREW	-	-	5
32	R11040761A0	PARAOILIO	OIL SEAL	-	-	1
33	R11040771A0	VITE	SCREW	-	2,4	4
34	R11040781A0	VITE FLANGIATA	SCREW	-	-	1
35	R11040791A0	GUARNIZIONE	GASKET	-	-	1
36	R11040801A0	TAPPÒ OLIO MOZZO	HUB OIL CAP	-	-	1
37	R11040811A0	O-RING	O-RING	-	-	1
38	R11040821A0	COPERCHIO TRASMISSIONE	DRIVE COVER	-	1,4	1
39	R11040831A0	GUARNIZIONE	GASKET	-	-	1
40	R11040841A0	VITE FLANGIATA	SCREW	-	1	6
41	R11040851A0	COPERCHIO	COVER	-	-	1
42	R11040861A0	VITE	SCREW	-	-	2



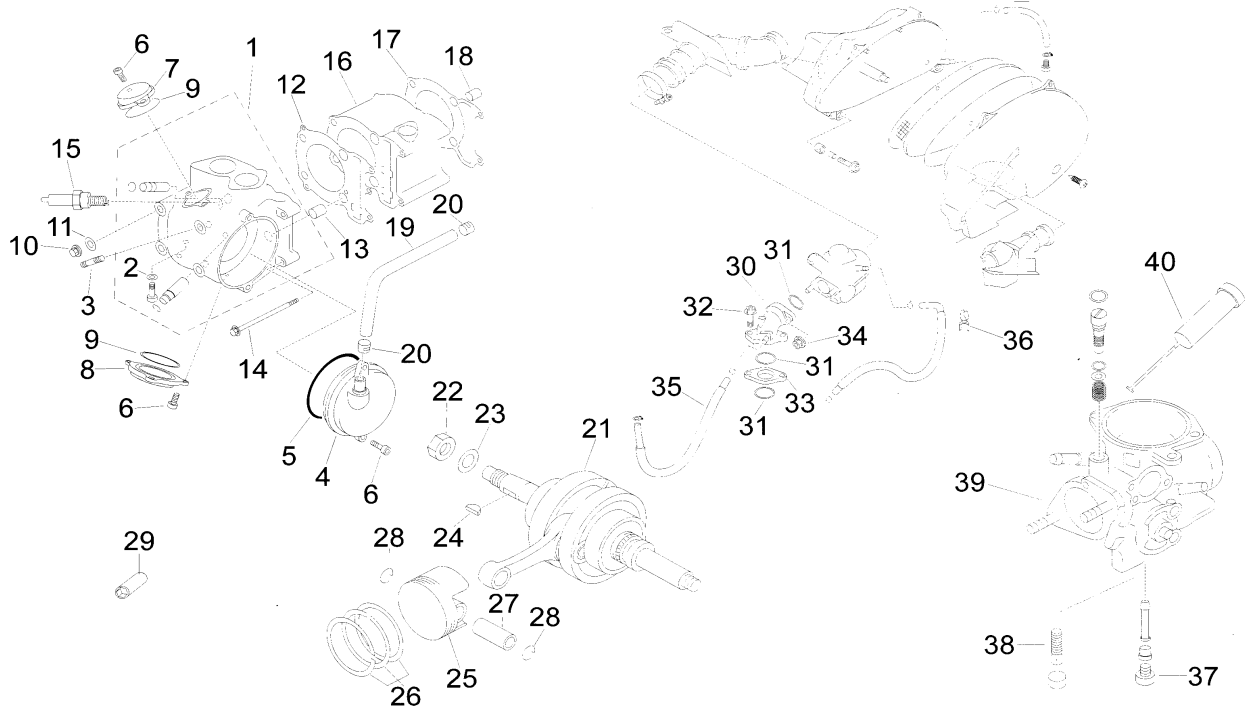
POS.	PARTS NUMBER	DESCRIPTION Spansk	DESCRIPTION Engelsk	NOTES	TG	Qty
1	R16040041A0	CAMPANA FRIZIONE COMPLETA	CLUTCH HOUSING ASSEMBLY	-	1	1
2	R16040191A0	DADO	NUT	-	-	2
3	R16040051A0	PULEGGIA ANT. MOBILE COMPL.	MOBILE FRONT PULLEY ASSEMBLY	-	1,3	1
4	R16040061A0	PARAOLIO	OIL SEAL	-	1,3	2
5	R16040071A0	MASSA	WEIGHT	-	1,3	8
6	R16040081A0	CAM	CAM	-	1,3	1
7	R16040091A0	TASSELLO DI TRAINO	SLIDER	-	1,3	4
8	R16040101A0	O-RING	O-RING	-	1,3	1
9	R16040111A0	STOPPER	STOPPER	-	1,3	1
10	R16040121A0	VITE	SCREW	-	-	4
11	R16040131A0	DISTANZIATORE	SPACER	-	1,3	4
12	R16040141A0	BOCCOLA	BUSH	-	1,3	1
13	R16040151A0	RONDELLA	WASHER	-	-	4
14	R16040161A0	RONDELLA	WASHER	-	-	1
15	R16040171A0	CINGHIA	BELT	-	1	1
16	R16040181A0	PULEGGIA PRIM. FISSA COMPLETA	PRIMARY FIXED PULLEY ASSEMBLY	-	1	1
17	R16040201A0	PULEGGIA SEC FISSA COMPLETA	SEC. FIXED PULLEY ASSEMBLY	-	1,2	1
18	R16040211A0	PULEGGIA SEC MOBILE COMPLETA	SEC. MOBILE PULLEY ASSEMBLY	-	1,2	1
19	R16040221A0	PARAOLIO	OILSEAL	-	1,4	2
20	R16040231A0	O-RING	O-RING	-	1,4	2
21	R16040241A0	RULLIND GUIDA PER VARIAT.	PIN GUIDE	-	-	4
22	R16040251A0	MOLLA	SPRING	-	1,2	1
23	R16040261A0	SCODELLINO PORTAMOL. VAR.	SPRING RETAINING CUP	-	-	1
24	R16040271A0	FRIZIONE COMPLETA	ASSEMBLY CLUTCH	-	1,2	1
25	R16040281A0	DADO	NUT	-	-	1
26	R16040291A0	INGRANAGGIO INTERMEDIO 1	INTERMEDIATE GEAR 1	-	1,6	1
27	R16040301A0	INGRANAGGIO INTERMEDIO 2	INTERMEDIATE GEAR 2	-	1,6	1
28	R16040311A0	RONDELLA	WASHER	-	1,6	2



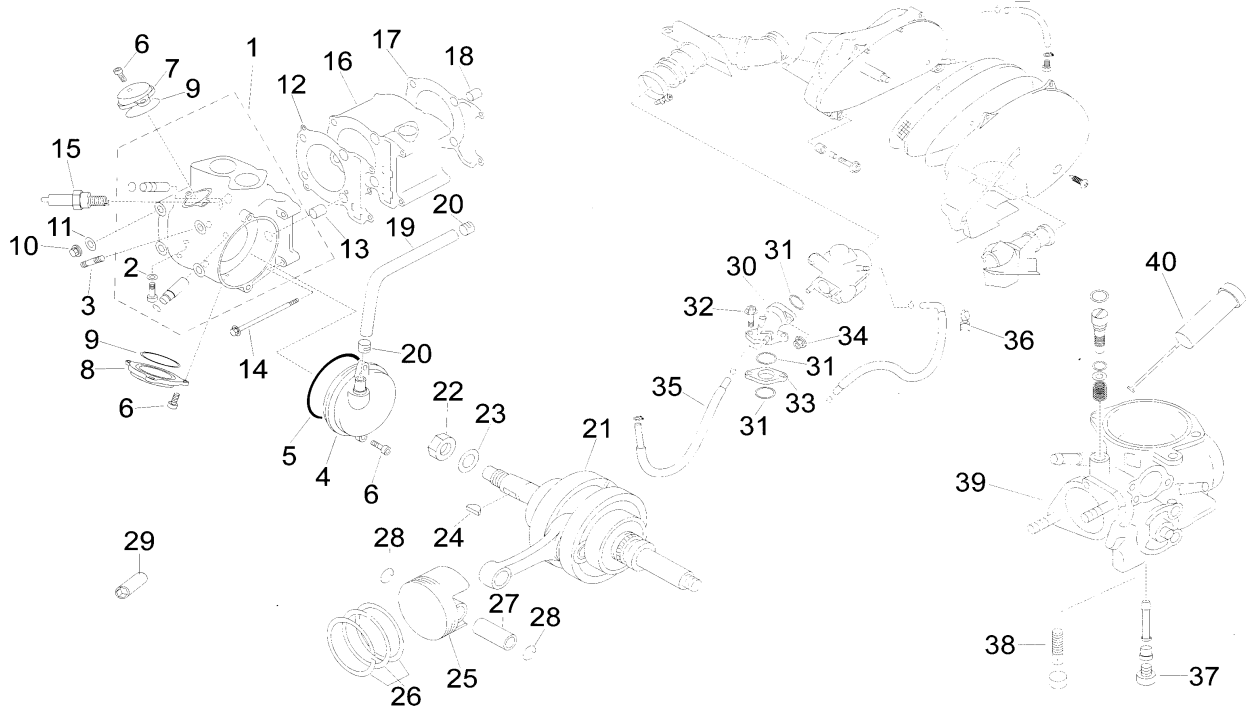
POS.	PARTS NUMBER	DESCRIPTION Spansk	DESCRIPTION Engelsk	NOTES	TG	Qty
29	R16040321A0	CUSCINETTO	BEARING	-	1,6	2
30	R16040331A0	ALBERG USCITA MOTO	OUTPUT SHAFT	-	1,4	1
31	R16040341A0	INGRAN CONDOTTO USCITA MOTO	GEAR CONDUIT OUTLET MOTOR.	-	1,4	1
32	R16040351A0	SEEGER	SEEGER	-	-	1
33	R16040361A0	RONDELLA	WASHER	-	-	1
34	R16040371A0	CUSCINETTO	BEARING	-	1,6	1
35	R16040381A0	CUSCINETTO	BEARING	-	1,4	1
36	R16040391A0	PARAOLIO	OIL SEAL	-	1,4	1
37	R16040401A0	CUSCINETTO	BEARING	-	1,6	1
38	R16040411A0	ALBERG DI TRASMISSIONE	DRIVE SHAFT	-	1,4	1
39	R16040421A0	CUSCINETTO	BEARING	-	1,6	1
40	R16040431A0	PARAOLIO	OIL SEAL	-	1,6	1



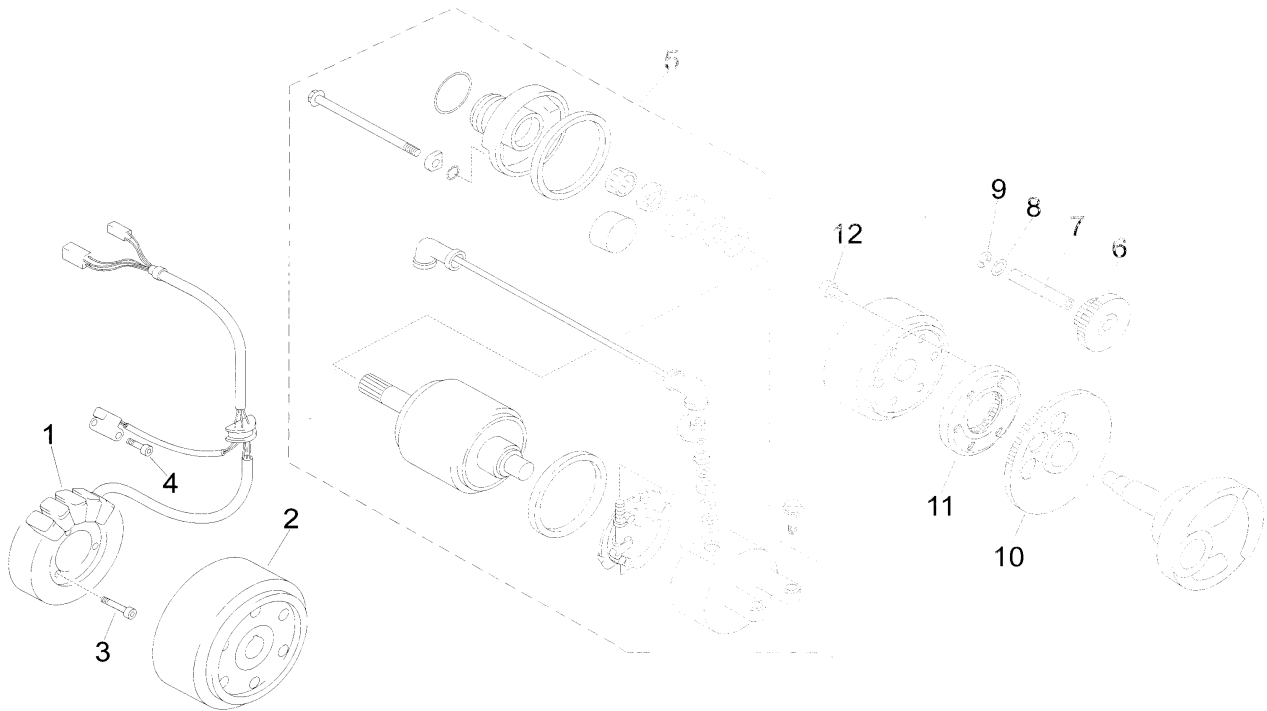
POS.	PARTS NUMBER	DESCRIPTION Spansk	DESCRIPTION Engelsk	NOTES	TG	Qty
1	R15040111A0	VALVOLA DI ASPIRAZIONE	SUCTION VALVE	-	2,6	1
2	R15040121A0	VALVOLA DI SCARICO	BLOW DOWN VALVE	-	2,6	1
3	R15040131A0	SCODELLINO SUP. VALVOLA	VALVE RETAINER	-	2,6	2
4	R15040141A0	MOLLA INTERNA	INTERNAL SPRING	-	2,6	2
5	R15040151A0	MOLLA ESTERNA	EXTERNAL SPRING	-	2,6	2
6	R15040161A0	GUARNIZIONE	GASKET	-	2,6	2
7	R15040171A0	SCODELLINO INF. VALVOLA	VALVE RETAINER	-	2,6	2
8	R15040181A0	ANELLO DI TENUTA RITEGNO MOLLE	JUNK RING SPRING CHECK	-	2,6	4
9	R15040191A0	BILANCIERE PER VALVOLA	VALVE EQUALIZER	-	2,9	2
10	R15040201A0	PERNO BILANCIERE	EQUALIZER PIN	-	2,9	1
11	R15040211A0	PERNO BILANCIERE	EQUALIZER PIN	-	2,9	1
12	R15040221A0	O-RING	O-RING	-	-	1
13	R15040231A0	VITE DI REGISTRÖ	ADJUSTING SCREW	-	0,5	2
14	R15040241A0	DADO	NUT	-	0,5	2
15	R15040251A0	ALBERO A CAMME COMPLETO	CAMSHAFT ASSEMBLY	-	2,9	1
16	R15040261A0	PIASTRINA	PLATE	-	-	1
17	R15040271A0	VITE	SCREW	-	-	2
18	R15040281A0	RONDELLA	WASHER	-	-	1
19	R15040291A0	CORONA CATENA DISTRIBUZIONE	TIMING SYSTEM CHAIN RIM	-	0,6	1
20	R15040301A0	SPINA	PIN	-	-	1
21	R15040311A0	VITE	SCREW	-	-	1
22	R15040321A0	RONDELLA	WASHER	-	-	1
23	R15040331A0	PIASTRA SFIATO	BREATHER PIPEPLATE	-	-	1
24	R15040341A0	CATENA	CHAIN	-	3,7	1
25	R15040351A0	GUIDA SUPERIORE	HIGH GUIDE	-	2,7	1
26	R15040361A0	GUIDA INFERIORE	LOW GUIDE	-	3,2	1
27	R15040371A0	TENDITORE PER CATENA	IDLER PULLEY	-	0,4	1
28	R15040381A0	GUARNIZIONE	GASKET	-	0,4	1



POS.	PARTS NUMBER	DESCRIPTION Spansk	DESCRIPTION Engelsk	NOTES	TG	Qty
1	R14040061A0	TESTA COMPLETA	COMPLETE HEAD	-	2,7	1
2	R17140371A0	GUARNIZIONE	GASKET	-	-	1
3	R13040051A0	VITE	SCREW	-	-	2
4	R13040061A0	CONVOGLIATORE REC. VAPORI OLIO	CONVEYOR FOR COLLCTN OIL FUM.	-	0,2	1
5	R13040071A0	O-RING	O-RING	-	0,2	1
6	R13040081A0	VITE	SCREW	-	-	7
7	R13040091A0	TAPPÒ CHIUSURA TESTA 1	1 HOLE CLOSING TAP	-	0,2	1
8	R13040101A0	TAPPÒ CHIUSURA TESTA 2	2 HOLE CLOSING TAP	-	0,2	1
9	R13040111A0	O-RING	O-RING	-	0,2	2
10	R13040121A0	DADO	NUT	-	-	4
11	R13040131A0	RONDELLA	WASHER	-	-	4
12	R13040141A0	GUARNIZIONE	GASKET	-	2	1
13	R13040151A0	SPINA	PIN	-	-	2
14	R13040161A0	VITE FLANGIATA	SCREW	-	-	2
15	R18040681A0	CANDELA (NGK DR8EA)	SPARK PLUG (NGK DR8EA)	-	-	1
16	R13040171A0	CILINDRO	CYLINDER	-	2,4	1
17	R13040181A0	GUARNIZIONE	GASKET	-	2,4	1
18	R13040191A0	SPINA	PIN	-	-	2
19	R13040201A0	TUBO	PIPE	-	-	1
20	R67940111A0	CLIP	CLIP	-	-	2
21	R12040141A0	IMBIELLAGGIO COMPLETO	COMPLETE CRANKSHAFT	-	3,4	1
22	R12040151A0	DADO	NUT	-	-	1
23	R12040161A0	RONDELLA	WASHER	-	-	1
24	R12040171A0	CHIAVETTA VOLANO	FLYWHEEL KEY	-	-	1
25	R13240191A0	PISTONE(STD)	PISTON (STD)	-	2,6	1
25	R13240171A0	PISTONE (0.50MM O/S)	PISTON (0.50MM O/S)	-	2,6	1



POS.	PARTS NUMBER	DESCRIPTION Spansk	DESCRIPTION Engelsk	NOTES	TG	Qty
25	R13240181A0	PISTONE (1.00MM O/S)	PISTON (1.00MM O/S)	-	2,6	1
26	R13340091A0	SEGMENTI (0.50MM O/S)	SEGMENTS (0.50MM O/S)	-	2,6	1
26	R13340081A0	SEGMENTI (1.00MM O/S)	SEGMENTS (1.00MM O/S)	-	2,6	1
26	R13340071A0	SEGMENTI (STD)	SEGMENTS (STD)	-	2,6	1
27	R12040181A0	SPINOTTO	PISTON PIN	-	2,6	1
28	R12040191A0	ANELLO FERMA SPINOTTO	PISTON PIN CLIP RING	-	-	2
29	R84010021A0	CHIAVE CANDELA	SPARK PLUG TOOL	-	-	1
30	R18341011A0	COLLETTORE	MANIFOLD	-	0,4	1
31	R18341021A0	O-RING	O-RING	-	-	3
32	R18341031A0	VITE	SCREW	-	-	2
33	R18341041A0	FLANGIA	FLANGE	-	0,4	1
34	R18341051A0	DADOFLANGIATO	NUT	-	-	2
35	R18341061A0	TUBO	PIPE	-	0,1	1
36	R17140541A0	MORSETTO	HOLDFAST	-	-	1
37	R18440161A0	GETTO MAX (#130)	MAX. JET (#130)	-	0,3	1
38	R18440171A0	GETTO MIN (#44)	MIN JET (#44)	-	0,3	1
39	R18440151A0	CARBURATORECOMPLETO	CARBURETOR	-	-	1
40	R22220251A0	RITORNO FARFALLA	BUTTERFLY RETURN	-	-	1



POS.	PARTS NUMBER	DESCRIPTION Spansk	DESCRIPTION Engelsk	NOTES	TG	Qty
1	R18040691A0	STATORE VOLANG COMPL.	COMPLETE STATOR FLYWHEEL	-	0,7	1
2	R18040701A0	ROTORE VOLANG COMPL.	COMPLETE ROTOR FLYWHEEL	-	0,7	1
3	R18040711A0	VITE	SCREW	-	-	3
4	R18040721A0	VITE	SCREW	-	-	2
5	R19040191A0	MOTORINO AVVIAMENTO	STARTER	-	0,4	1
6	R19040121A0	INGRANAGGIO STARTER 1	STARTER 1 GEAR	-	1	1
7	R19040131A0	ALBERG STARTER	STARTER SHAFTARBRE	-	1	1
8	R19040141A0	RONDELLA	WASHER	-	-	1
9	R19040151A0	SEEGER	SEEGER	-	-	1
10	R19040161A0	INGRANAGGIO STARTER 2	STARTER 2 GEAR	-	-	1
11	R19040171A0	RUOTA LIBERA COMPLETA	COMPL. FREE WHEEL	-	1,6	1
12	R19040181A0	VITE	SCREW	-	-	3