

# RESERVDÉLS KATALOG

2002



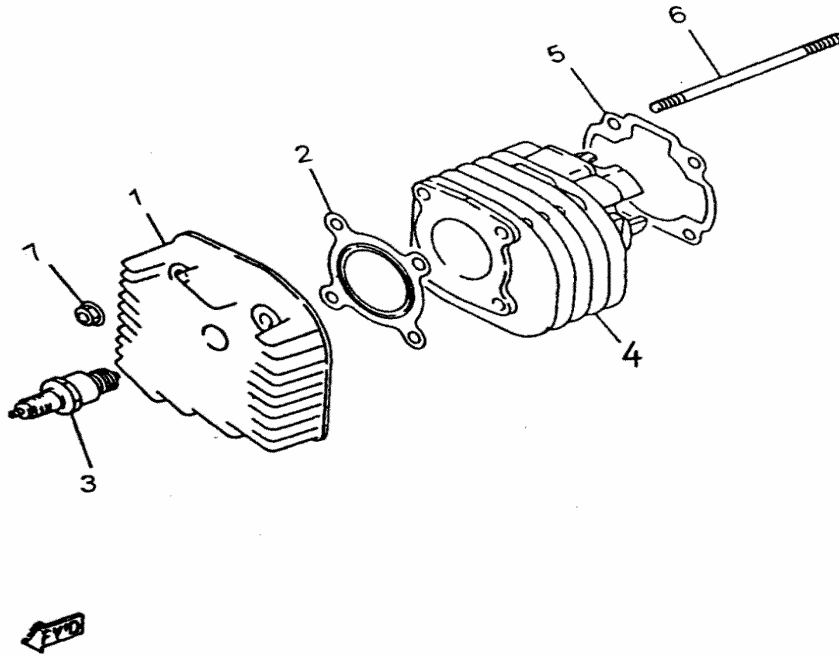


Fig. 1 Cylinder

1	AA02-2A050-000	Head, Cylinder	
2	AA03-2A050-000	Gasket Cylinder Herd	
3	AA01-2A050-00A	Spark, Plug Resist	
4	AA04-2A050-000	Cylinder	
5	AA05-2A050-000	Casket, Cyliuder	
6	D27-07110	Bolt, Stud	
7	D04-07	Nut, Flange	

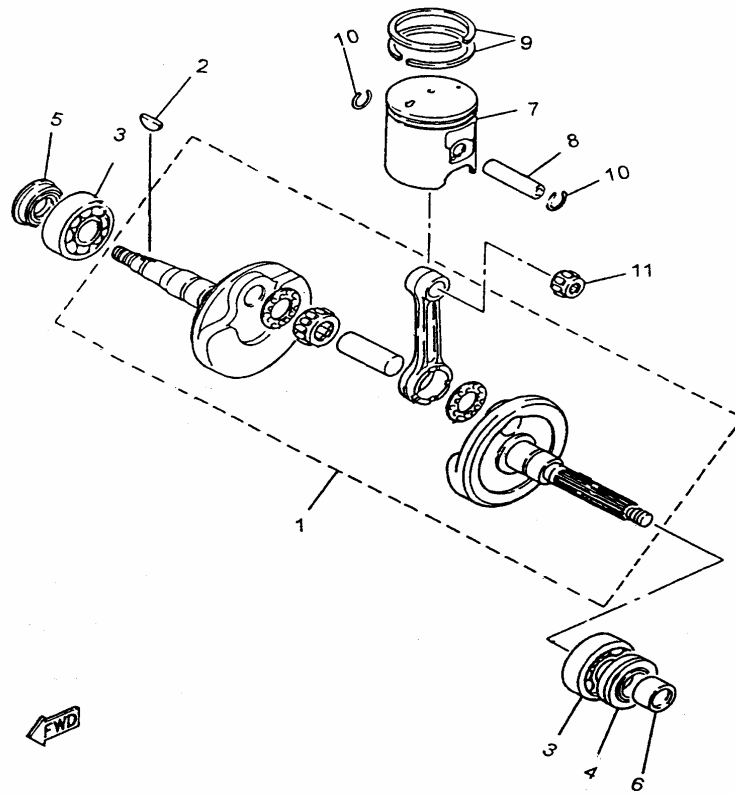


Fig. 2 Crankshaft Piston Rod

1	AB00-2A050-000	Crankshaft, Ass'y	
2	D07-0313	Key, Woodruff	
3	D21-6204C3	Bearing	
4	D16-20428	Seal, Oil	
5	D16-20306	Seal, Oil	
6	D22-1520012	Collar	
7	AB06-2A050-000	Piston (std.)	
8	AB08-2A050-000	Pin, Piston	
9	AB05-2A050-000	Ring Set, Piston (std.)	
10	D13-11120	Clip	
11	D23-101412	Bearing, Cylindrical	

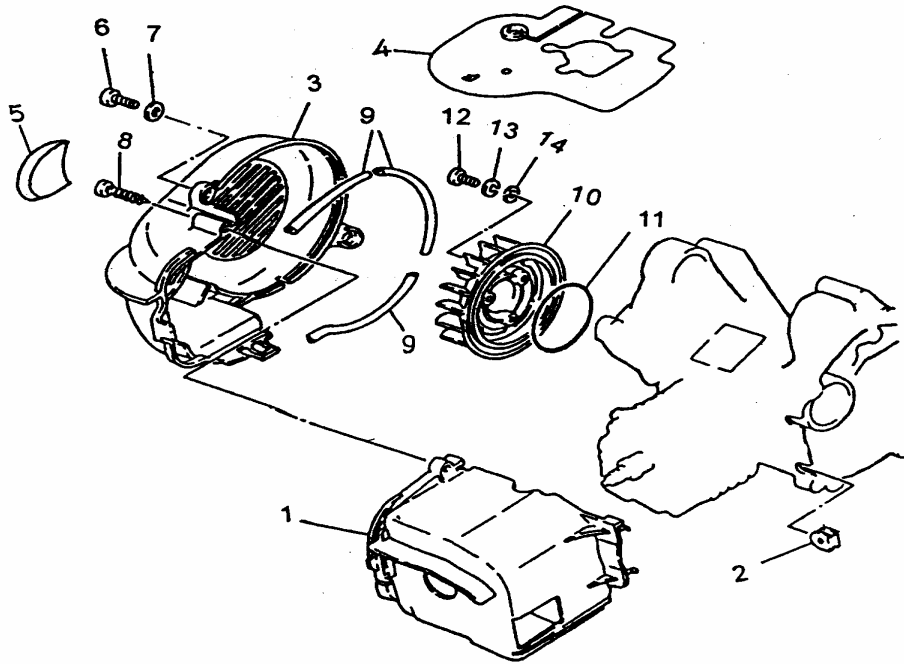


Fig. 3 Air Shroud Fan

1	AC01-2A050-000	Air Shroud, Cylinder	
2	AC14-2A050-000	Grommet	
3	AC03-2A050-000	Cover, Fan	
4	AC04-2A050-000	Deflector	
5	AC15-2A050-000	White Cover, Fan	
6	K02-06020	Screw, Pan Head	
7	K11-06116	Washer, Plate	
8	K12-0640	Screw, Tapping	
9	AC05-2A050-000	Damper, Air Shroud	
10	AC02-2A050-000	Fan	
11	D18-64431	O-ring	
12	D02-06016	Screw, Pan Head	
13	D24-061215	Washer, Spring	
14	D11-061116	Washer, Plate	

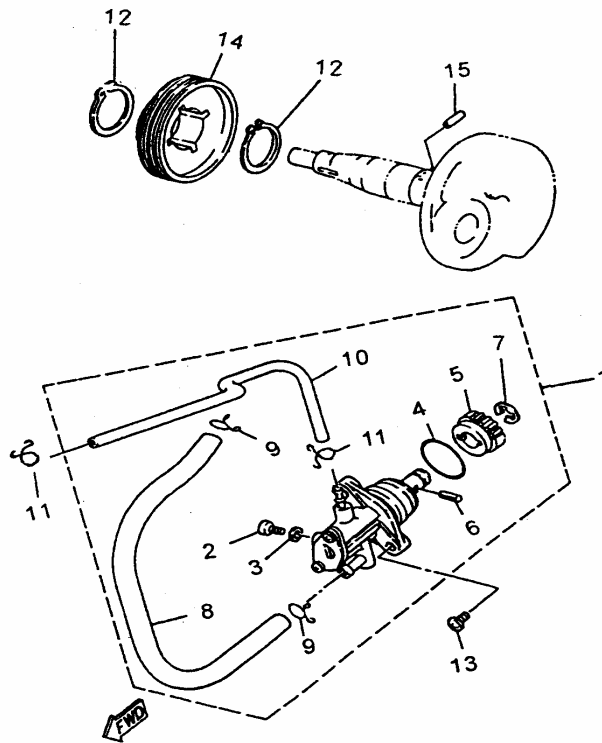


Fig. 4 Oil Pump

1	AF00-2A050-000	Oil Pump Ass'y	
2	D02-04016	Bolt, Pan Head	
3	D11-040805	Washer, Plate	
4	D18-18816	Oil-Ring	
5	AF01-2A050-000	Gear, Worm Wheel	
6	D37-0312	Pin, Dowel	
7	D01-ETW7	Clip	
8	D17-4808370	Hose	
9	D10-0808	Clip	
10	D17-2005370	Hose	
11	D38-0506	Clip	
12	D08-S19	Circlip	
13	D02-05014	Screw, Pan Head	
14	AD01-2A050-000	Gear, Pump Drive	
15	D15-0311	Pin, Dowel	

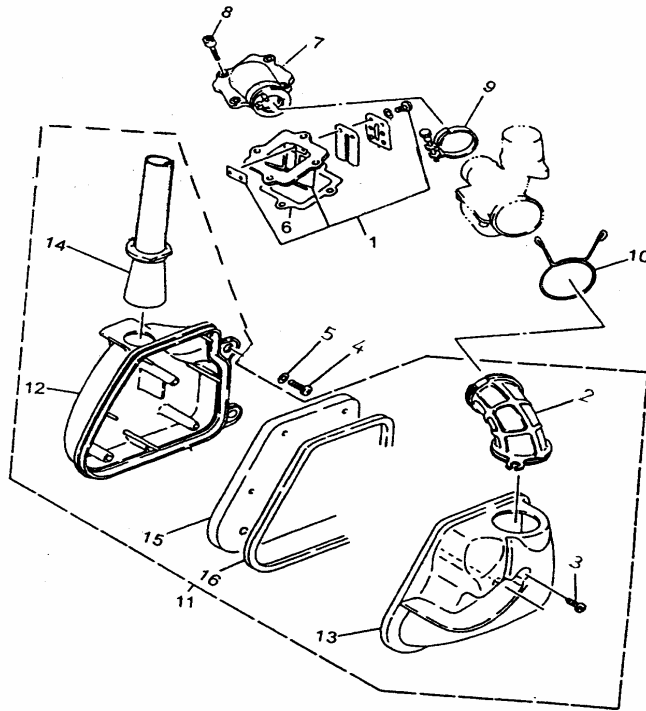


Fig. 5 Air Cleaner

1	AH00-2A050-000	Reed Valve, Ass'y	
2	AG05-2A050-000	Joint, Air Cleaner	
3	K12-0526	Screw, Tapping	
4	D02-06020	Screw, Pan Head	
5	D11-061310	Washer, Plate	
6	AH04-2A050-000	Gasket, Valve Seat	
7	AH01-2A050-000	Manifold, Intake	
8	D03-06020	Bolt,	
9	D20-3208	Clamp, Hose	
10	D10-4023	Clip	
11	AG00-2A050-000	Air Cleaner, Ass'y	
12	AG01-2A050-000	Case, Air Cleaner	
13	AG02-2A050-000	Cap, Cleaner Case	
14	AG06-2A050-000	Dust	
15	AG03-2A050-000	Element, Air Cleaner	
16	AG04-2A050-000	Seal	

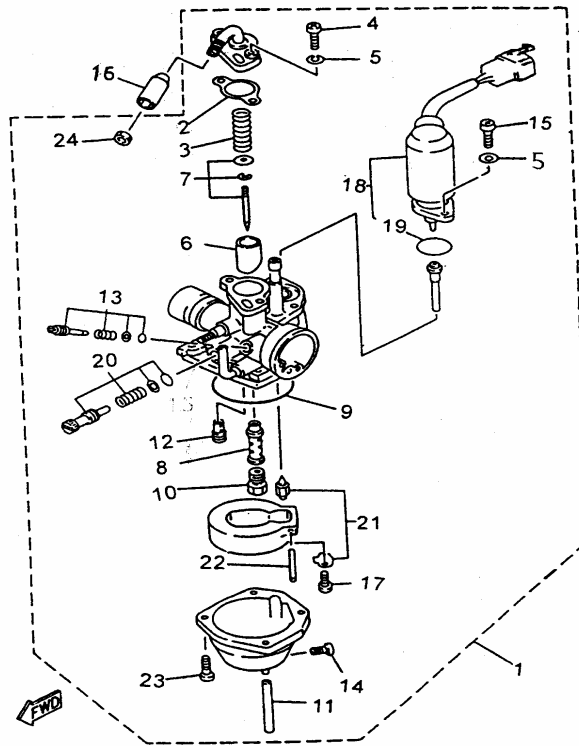


Fig. 6-1 Carburetor

1	AI00-2A050-000	Carburetor Ass'y	
2	AI01-2A050-000	Gasket	
3	D49-0811061	Spring, Throttle Stop	
4	D02-04012	Screw, Pan Head	
5	D24-040610	Washer, Spring	
6	AI10-2A050-000	Valve, Throttle	
7	AI04-2A050-000	Needle, Set	
8	AI27-2A050-000	Nozzle, Main	
9	AI11-2A050-000	Seal	
10	AI02-2A050-000	Jet, Main (#77.5)	
11	D39-0407130	Pipe	
12	AI03-2A050-000	Jet, Pilot (#17.5)	
13	AI05-2A050-000	Air Screw Set	
14	AI08-2A050-000	Plug, Drain	
15	D02-04008	Screw, Pan Head	
16	AI28-2A050-000	Cap, Rubber	
17	D02-03006	Screw, Pan Head	
18	AI12-2A050-000	Pluger, Starter	
19	D18-14015	O-Ring	
20	AI06-2A050-000	Throttle Screw Set	
21	AI07-2A050-000	Needle, Valve Set	
22	AI18-2A050-000	Pin, Float	
23	D02-04014	Scew, Pan Head	
24	AI29-2A050-000	Nut, Cable Adjusting	

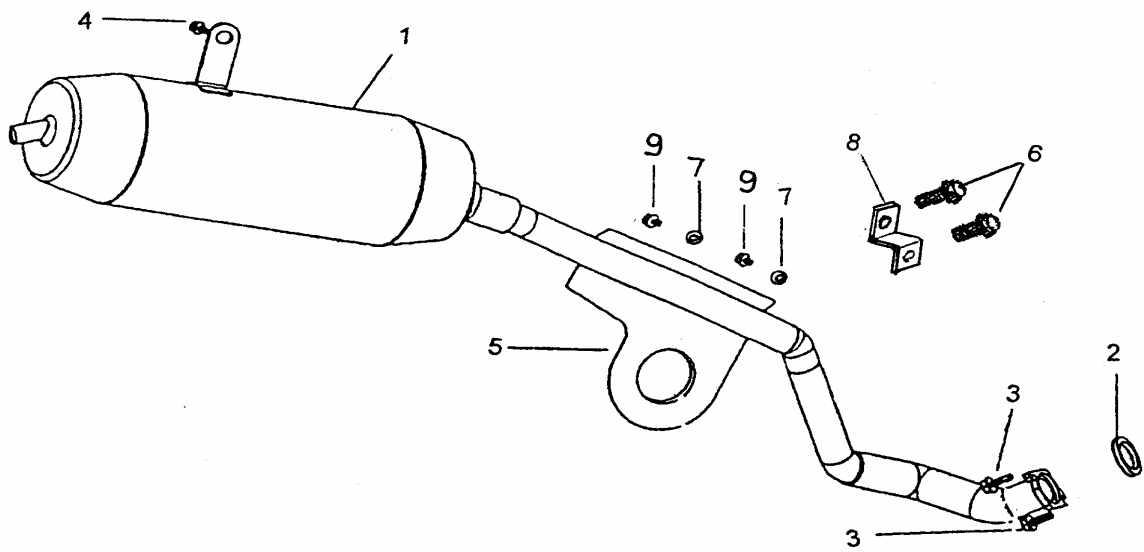


Fig. 7 Exhaust

1	AJ00-2A050-00A	Exhaust Pipe, Ass'y (CATA)	
2	AJ01-2A050-000	Gasket, Exhaust Pipe	
3	K32-06018	Bolt, Flange	
4	K32-10020	Bolt, Flange	
5	AJ02-2A050-000	Protector, Exhaust Pipe	
6	K32-08012	Bolt, Flange	
7	D11-061310	Washer	
8	AJ03-2A050-000	Fixed Plate, Exhaust Pipe	
9	K32-06006	Bolt, Flange	

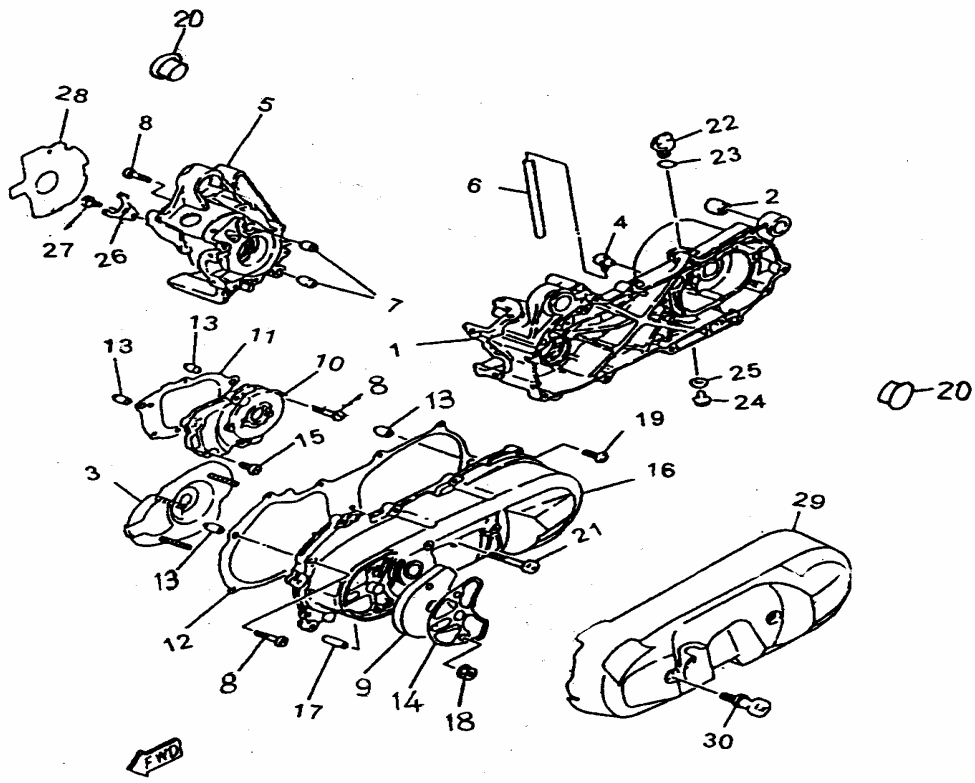


Fig. 8-1 Crankcase

1	AK01-2A050-000	Crankcase, L.	
2	D25-082020	Bush, #3250	
3	AK20-2A050-000	Plate	
4	AK10-2A050-000	Breather	
5	AK02-2A050-000	Crankcase, R.	
6	D39-0507090	Hose	
7	D15-1216	Pin, Dowel	
8	D02-06035	Screw, Pan Head	
9	AK12-2A050-000	Filter	
10	AK03-2A050-000	Cover, Transmission	
11	AK06-2A050-000	Gasket, Transmission	
12	AK07-2A050-000	Gasket, Crankcase Cover L.	
13	D15-1014	Pin, Dowel	
14	AK13-2A050-000	Guide, Element	
15	D02-06020	Screw, Pan Head	
16	AK04-CX050-000	Cover, Crankcase L.	
17	AK31-2A050-000	Shaft, Idle Gear	
18	D04-06	Nut, Flange	
19	D02-06025	Screw, Pan Head	
20	AK34-2A050-000	Rubber, Cap	
21	D02-06065	Screw, Pan Head	

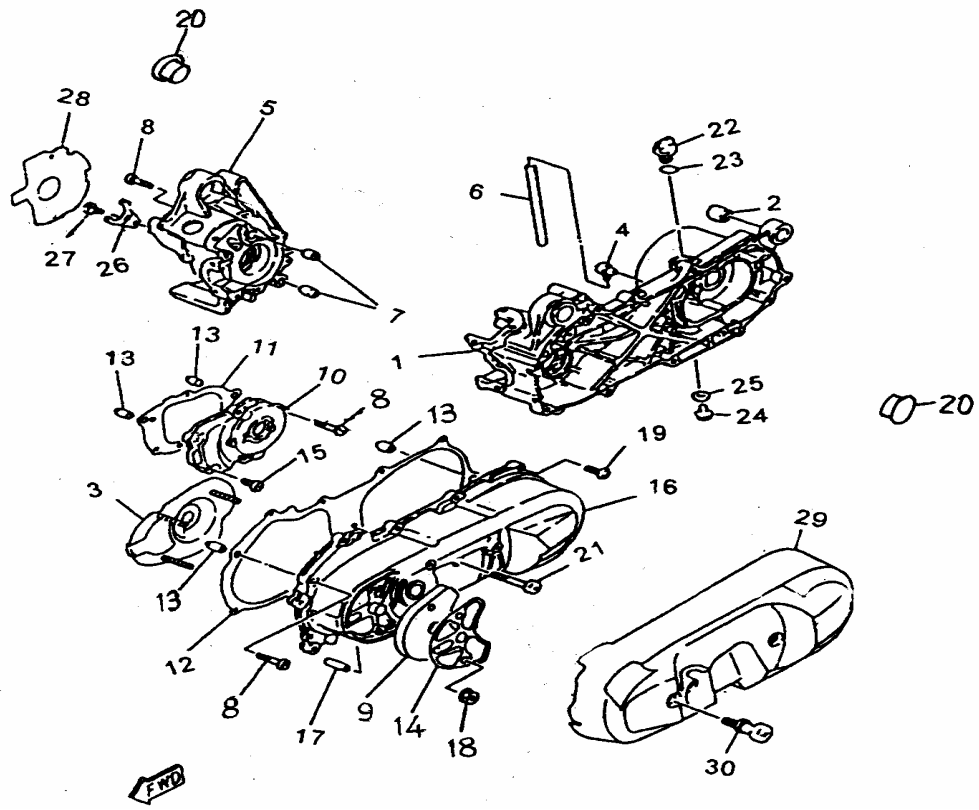


Fig. 8-2 Crankcase

22	AK09-2A050-000	Plug, Oil	
23	D18-13825	O-Ring	
24	D32-08016	Bolt, Flange	
25	D30-081515	Washer, Cu	
26	AK32-2A050-000	Holder	
27	D02-06012	Screw, Pan Head	
28	AK05-2A050-000	Gasket, A.C.G	
29	AK28-2A050-000	Cover, Crankcase L.	
30	AK33-2A050-000	Bolt, Special	

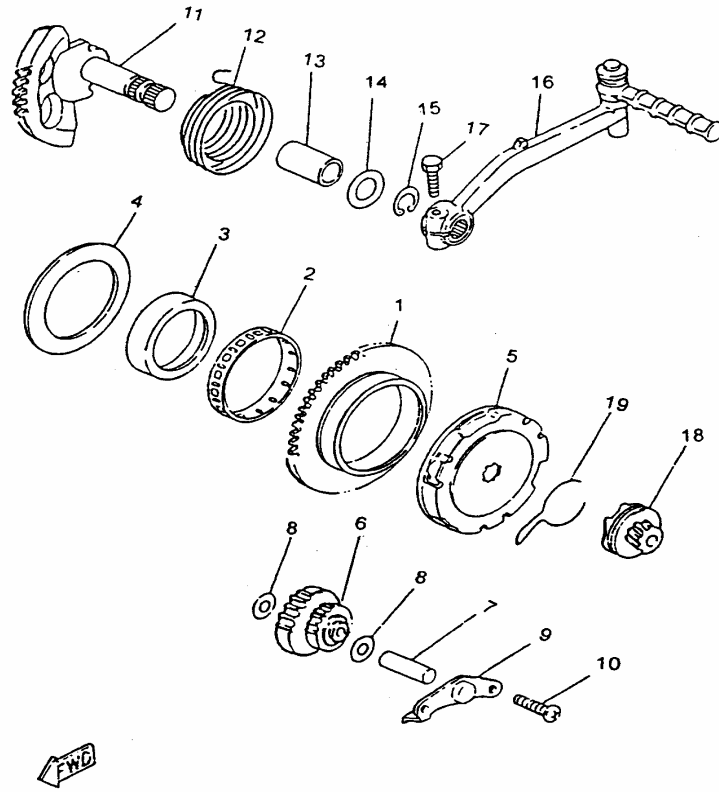


Fig. 9 Starter

1	AL03-2A050-000	Wheel, Starter	
2	D23-5559125	Bearing, Cylindrical	
3	AL10-2A050-000	Boss, Gear	
4	D11-577606	Washer, Plate	
5	AL04-2A050-000	Clutch Ass'y, Starter	
6	AL06-2A050-000	Idle Gear Ass'y	
7	AK31-2A050-000	Shaft, Idle Gear	
8	D11-081615	Washer, Plate	
9	AK08-2A050-000	Plate, Idle Gear	
10	D02-06012	Screw, Pan Head	
11	AL01-2A050-000	Kick Shaft Ass'y	
12	AL11-2A050-000	Spring, Kick Shaft	
13	D22-152030	Bush	
14	D11-152801	Washer, Plate	
15	K08-S15	Circlip	
16	AL02-2A050-000	Kick Crank Ass'y	
17	K05-06025	Bolt	
18	AL05-2A050-000	Kick Pinion Ass'y	
19	AL09-2A050-000	Clip	

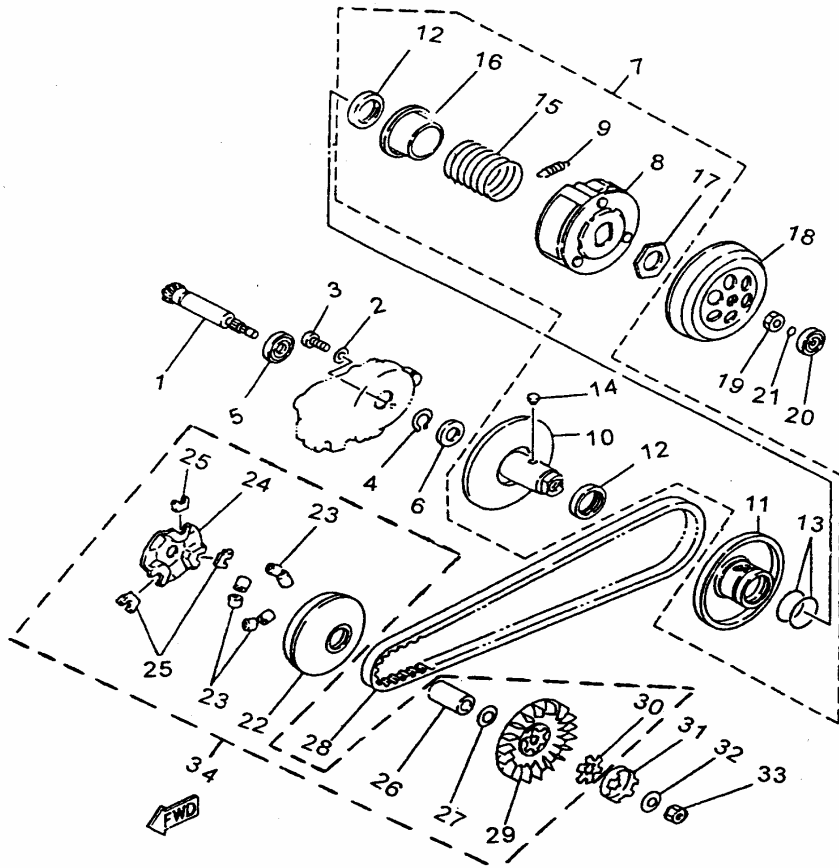


Fig. 10-1 Clutch

1	AQ01-2A050-000	Primary Gear, Drive (13T)	
2	D11-061201	Washer, Plate	
3	D02-06010	Screw, Pan Head	
4	D08-S17	Circlip	
5	D21-6003	Bearing	
6	D16-172855	O-Seal	
7	AN00-2A050-000	Pulley Ass'y, Driven	
8	AN01-2A050-000	Clutch Carrier Ass'y	
9	AN07-2A050-000	Spring, Clutch	
10	AN02-2A050-000	Fixed Sheave Comp., Driven	
11	AN03-2A050-000	Sliding Sheave, Driven	
12	D16-33394	Oil-Seal	
13	D18-36020	Oil-Ring	
14	AN04-2A050-000	Pin, Guide	
15	AN08-2A050-000	Spring, Compression	
16	AN05-2A050-000	Seat, Compression Spring	
17	AN06-2A050-000	Nut	
18	AP01-2A050-000	Clutch Housing	
19	D04-10	Nut, Flange	
20	D22-638ZZ	Bearing	
21	D18-06431	Oil-Ring	
22	AM01-2A050-000	Primary, Sliding Sheave	
23	AM06-2A050-000	Weight, Roller	

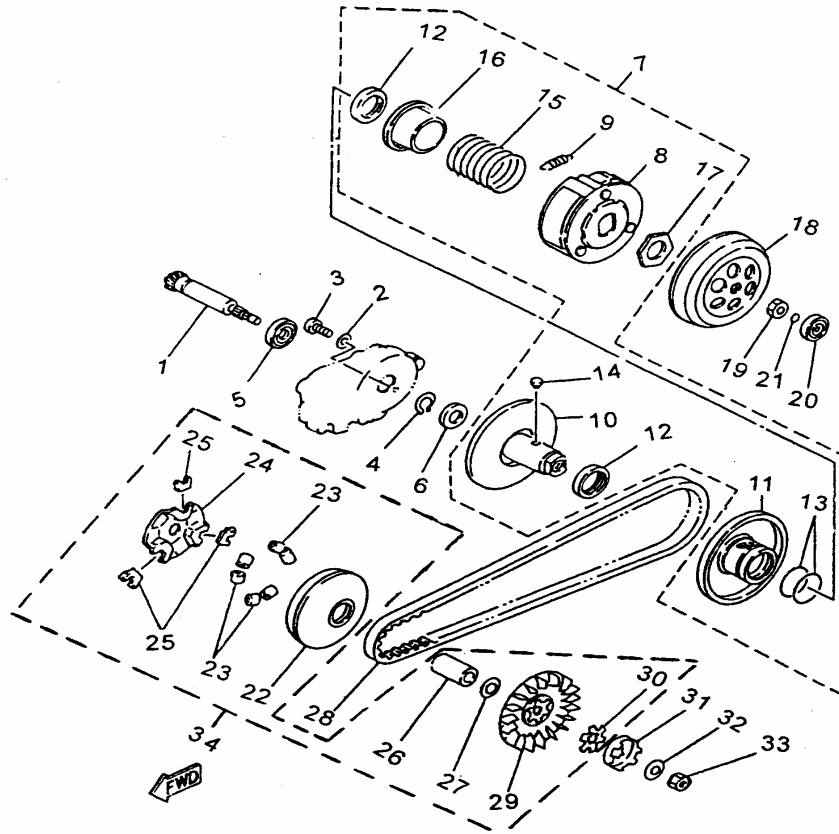


Fig. 10-2 Clutch

24	AM03-2A050-000	Plate, Cam	
25	AM04-2A050-000	Slider	
26	D22-131838	Coliar	
27	D11-131810	Washer, Plate	
28	AP03-2A050-000	Belt	
29	AM02-2A050-000	Fixed Sheave, Primary	
30	AM05-2A050-000	Washer, Claw	
31	AP02-2A050-000	Clutch, Oneway	
32	D26-102425	Washer, Concial Spring	
33	D06-10	Nut	
34	AM00-2A050-000	Primary Sliding Ass'y	

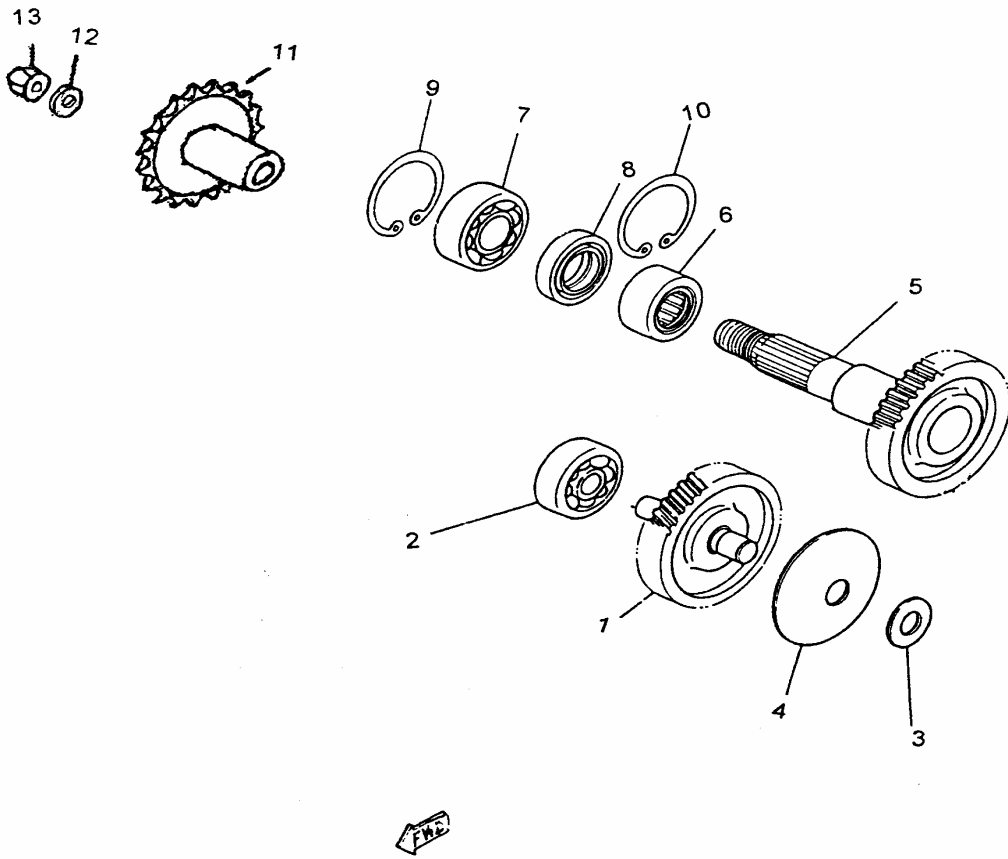


Fig. 11 Transmission

1	AQ02-2A050-000	Main Axle Ass'y	
2	D21-6201	Bearing	
3	D11-122210	Washer, Plate	
4	D26-126005	Washer, Conical Spring	
5	AQ03-2A050-000	Drive Axle Ass'y	
6	D21-2515	Bearing	
7	D21-6004LLU	Bearing	
8	D16-25356	Oil-Seal	
9	D09-R42	Circlip	
10	D09-R32	Circlip	
11	AQ04-2A050-000	Sprocket, Drive	
12	D11-142620	Washer, Plate	
13	D33-14	Nut, Lock (U Type)	

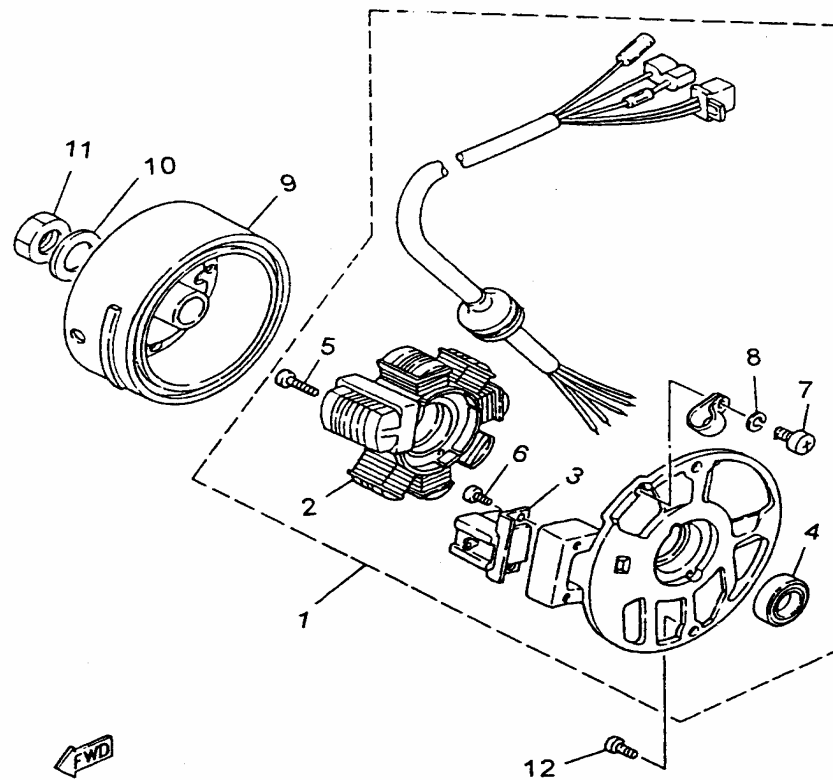


Fig. 12 Generator

1	AR00-2A050-000	Base Ass'y	
2	AR01-2A050-000	Startor Comp.	
3	AR02-2A050-000	Coil, Pulser	
4	D16-18265	Oil-Seal	
5	D02-05020	Screw, Pan Head	
6	D02-05010	Screw, Pan Head	
7	D02-04008	Screw, Pan Head	
8	D24-040610	Washer, Spring	
9	AR03-2A050-000	Rotor, Ass'y	
10	D11-102220	Washer, Plate	
11	D06-10	Nut	
12	D02-06016	Screw, Pan Head	

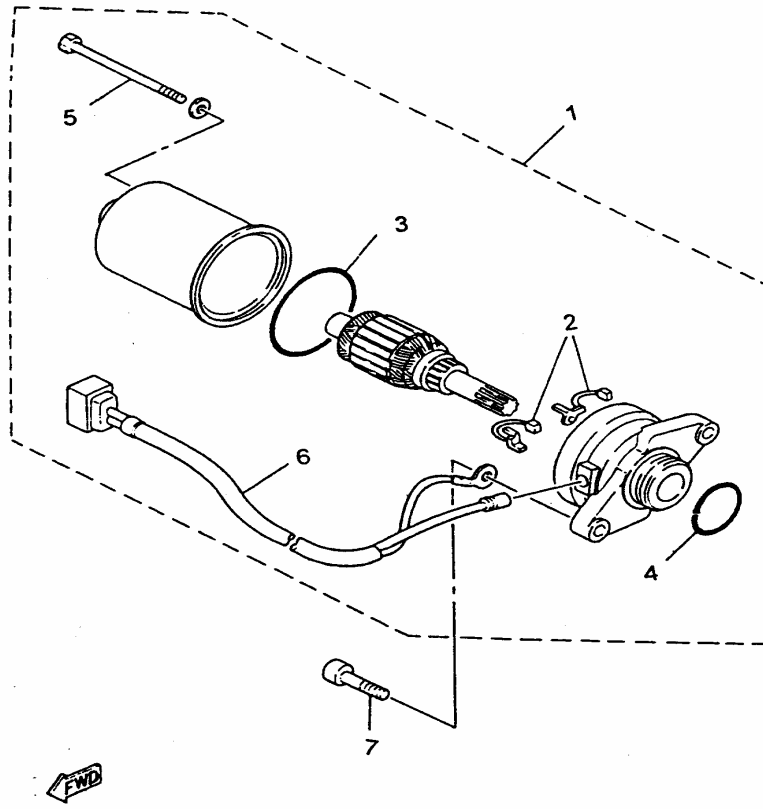


Fig. 13 Starting Motor

1	AT00-2A050-000	Starter Motor Ass'y	
2	AT01-2A050-000	Brush Set	
3	D18-43015	Oil-Ring	
4	D18-21917	Oil-Ring	
5	D02-04065	Screw, Pan Head	
6	AT05-2A050-000	Cord Comp.	
7	D02-06020	Screw, Pan Head	

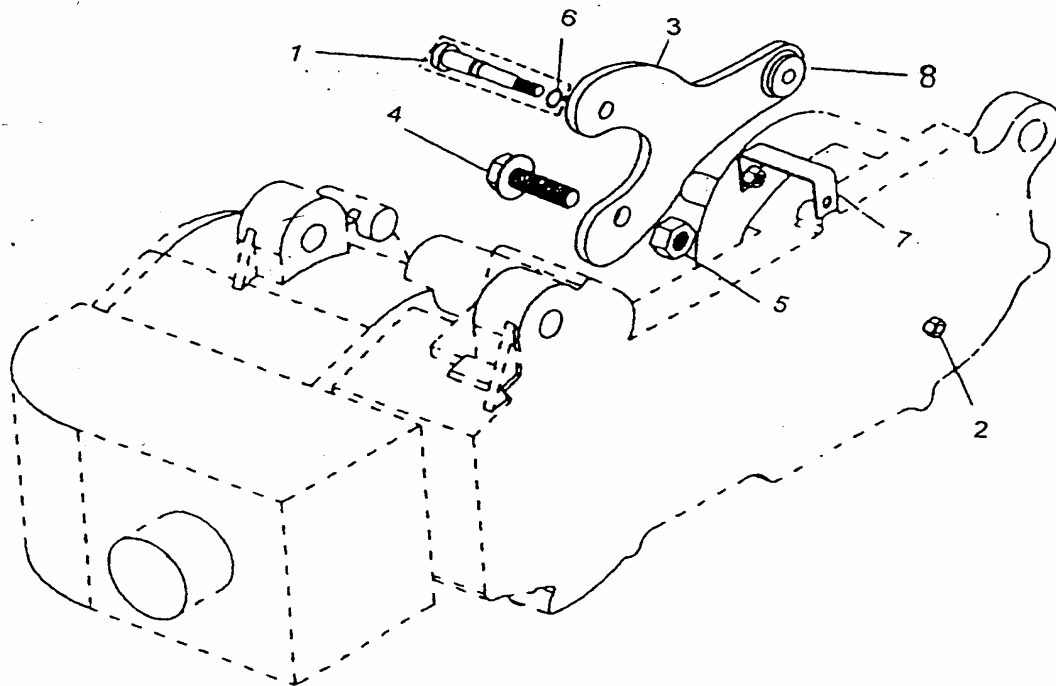


Fig. 14 Engine Bracket

1	FA01-2A050-000	Shaft, Connecting Plate	
2	K04-M8	Nut, Flange	
3	FA02-2A050-000	Plate, Connecting	
4	K32-12040	Bolt, Flange	
5	K04-12	Bolt, Flange	
6	D18-06819	Oil-Ring	
7	FA03-2A050-000	Bracket, Oil Tank	
8	D25-082020	Bush	

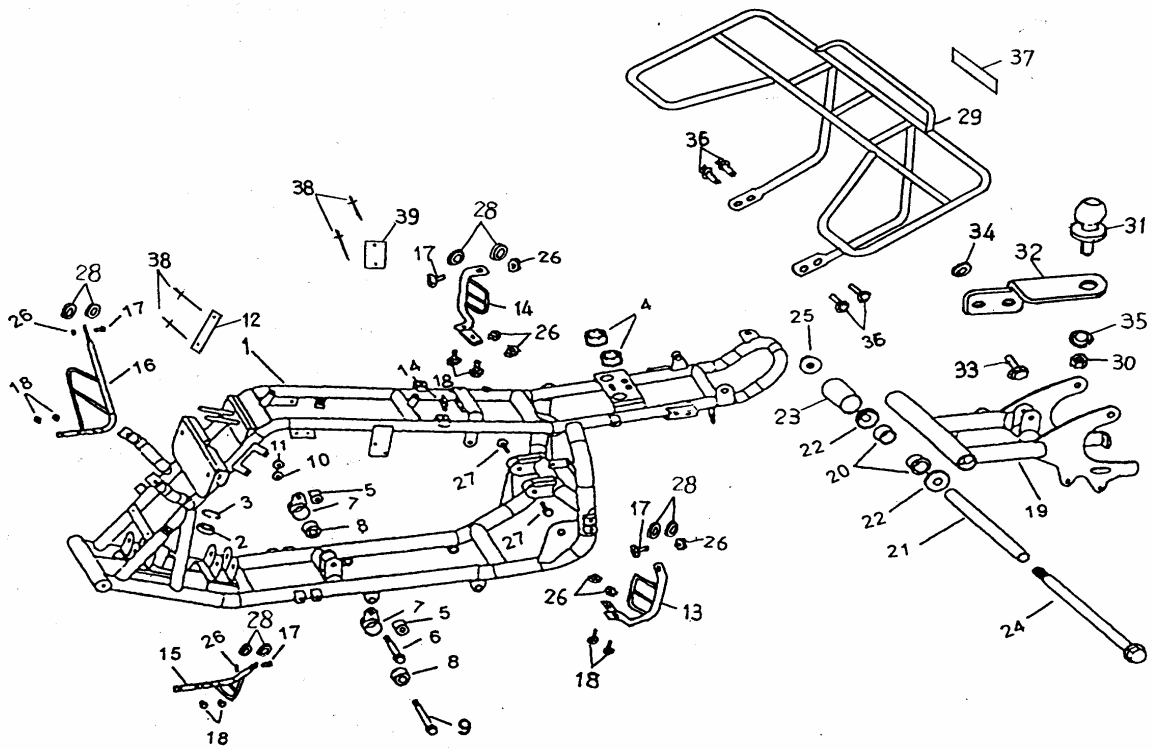


Fig. 15-1 Frame

1	FB00-CX050-00A	Frame	
2	D21-6002ZZ	Bearing	
3	D09-R32	Circlip	
4	FC06-CX050-000	Seat Rear Shock Absorber	
5	D25-082020	Bush	
6	K32-08110	Bolt Flange	
7	FC05-CX050-000	Engine Holder Seat	
8	D25-102829	Bush#3250	
9	K32-10110	Bolt Flange	
10	D33-10	Insert Lock Nut	
11	D33-08	Insert Lock Nut	
12	FC07-CX050-000	Plate ,Frame	
13	FC11-CX050-000	L. Fixed Plate,Rear Fender	
14	FC12-CX050-000	R. Fixed Plate,Rear Fender	
15	FC09-CX050-000	L. Fixed Plate,Front Fender	
16	FC10-CX050-000	R. Fixed Plate,Front Fender	
17	R43-06016	Bolt ,Fan	
18	K32-06012	Bolt Flange	
19	FD00-CX050-000	Swing Arm Sub Ass'y	
20	FF01-CX050-000	Bushing Contain Oil	
21	D22-1420253	Swing Arm Spacer Tube	
22	FF02-CX050-000	Swing Arm Seal Cover	
23	FF03-CX050-000	Rubber Sleeve	
24	K32-14290	Bolt ,Flange	
25	D33-14	Insert Lock Nut	

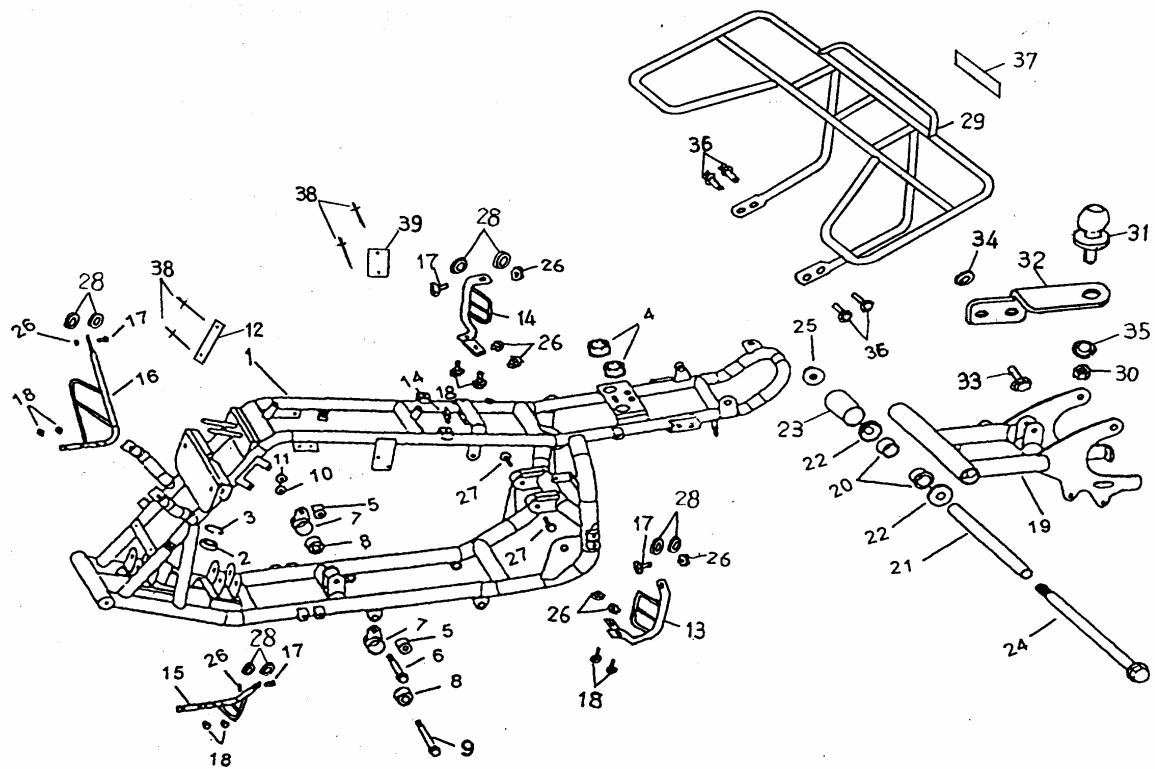


Fig. 15-2 Frame

26	K04-06	Nut,Flange	
27	K32-08035	Bolt ,FLange	
28	FK05-CX050-000	Rubber Mate	
29	FC13-CX050-000	Rear Carrier	
30	D06-19	Nut ,Hex	
31	FW11-CX050-000	Trailer Ball	
32	FW10-CX050-000	Bracket ,Trailer Ball	
33	K32-08025	Bolt ,Flange	
34	K11-132550	Washer ,Plate	
35	D24-193248	Washer ,Spring	
36	K32-08012	Bolt ,FLange	
37	FL22-CX050-000	Stick, Rack Weight	
38	D14-03	Rivet	
39	FC08-CX050-000	Plate, Aluminum	

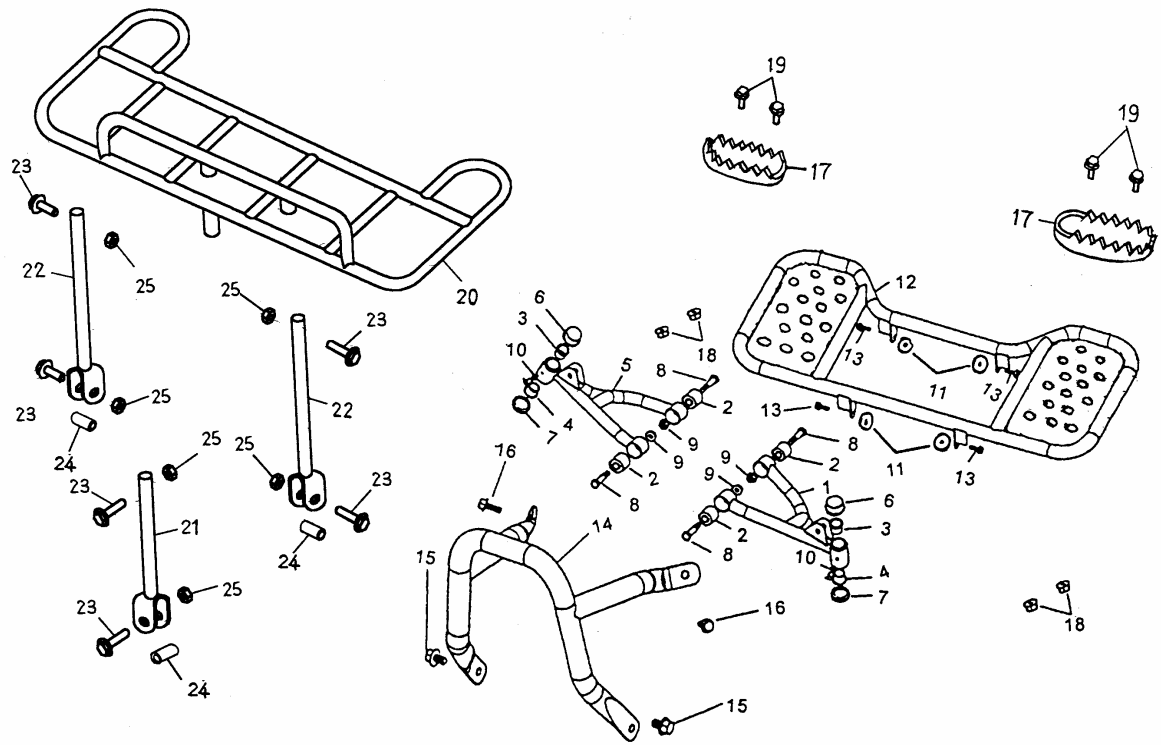


Fig. 16 Swing Arm Footrest

1	FG00-CX050-000	L.RockerArm	
2	D25-102829	Bush	
3	FI01-CX050-000	Bush,Contion Oil Up	
4	FI02-CX050-000	Bush,Contion Oil Down	
5	FH00-CX050-000	R.Rocker Arm	
6	FK03-CX050-000	Waterproof Rubber	
7	Fk04-CX050-000	ustproof Rubber	
8	K41-10048	Bolt,HexWasherFace	
9	K33-10	Insert Lock Nut	
10	D36-06	GreaseValve	
11	FK05-CX050-000	Rubber Mate	
12	FJ00-CX050-000	FootrestAssy	
13	D32-08020	Bolt ,FLange	
14	FI00-CX050-000	FendBurAssy	
15	K32-08012	Bolt ,FLange	
16	K32-06012	Bolt ,FLange	
17	FK-06CX050-000	Insert Lock Nut	
18	D33-06	Insert Lock Nut	
19	K32-06025	Bolt ,FLange	
20	FC14-CX050-000	Front Carrier	
21	FC15-CX050-000	Bracket ,A	
22	FC16-CX050-000	Bracket ,B	
23	K32-08035	Bolt ,FLange	
24	K22-0812018	Spacer ,Tube	
25	K51-08	Nut ,Nylon Lock	

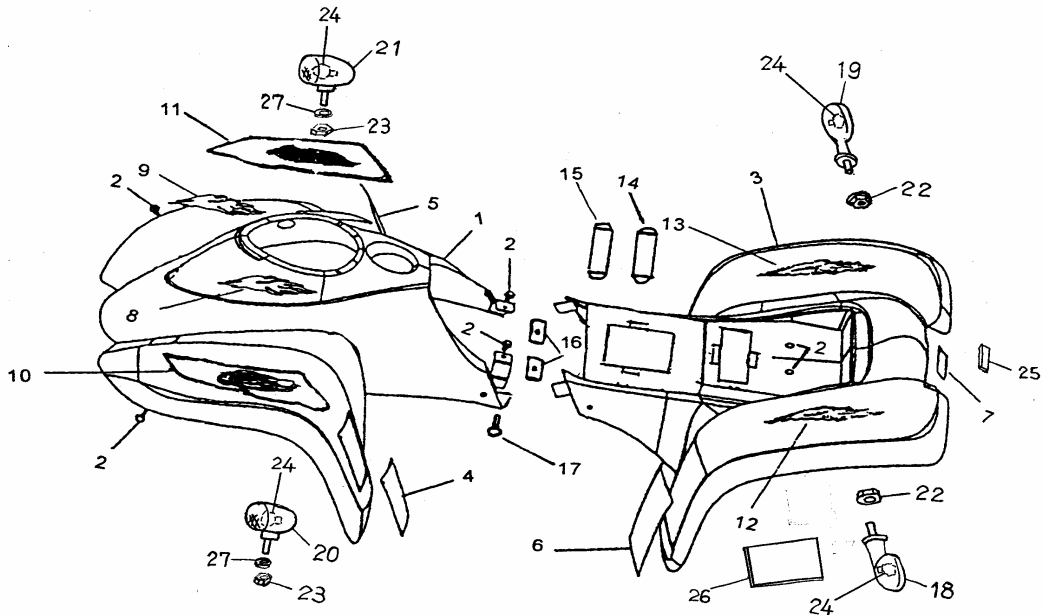


Fig. 17A Fender

1	FL01-CX050-000	Front Fender	
2	K28-06016	Boit, HexWasherFace	
3	FL02-CX050-000	Rear Fender	
4	FL03-CX050-000	Sticker,Warning Year Tyre	
5	FL04-CX050-000	Sticker,Warning Using 1	
6	FL17-CX050-000	Sticker,Waring Using 2	
7	FL18-CX050-000	Sticker,Warning(Hot)	
8	FL07-CX050-000	Left Sticker,Front Side Fender	
9	FL08-CX050-000	Right Sticker,Front Side Fender	
10	FL09-CX050-000	Right Sticker,Front Fender	
11	FL10-CX050-000	Right Sticker,Front Fender	
12	FL11-CX0505-004	Left Sticker,Rear Fender	
13	FL12-CX050-000	Right Sticker, Rear Fender	
14	FL05-CX050-000	Rubber Band (Battery)	
15	FL-CX-050-000	Rubber Band (Tool Box)	
16	K42-06	Nut,U Plate	
17	R43-06016	Screw,Hex	
18	FZ25-AX-050-007	L, Direation Light Rear	
19	FZ26-AX-050-000	R, Direation Light Rear	
20	FZ27-AX-050-000	L, Direation Light Rear Front	
21	FZ28-AX-050-000	R, Direation Light Front	
22	D04-10	Nut, Flange	
23	D06-05	Nut, Hex	
24	FZ29-AX050-000	Bulb, Direction	
25	FL14-AX050-000	Reflector, Rear	
26	FL21-AX050-000	Mat, Heat Insulation	
27	D11-061310	Washer, Plate	

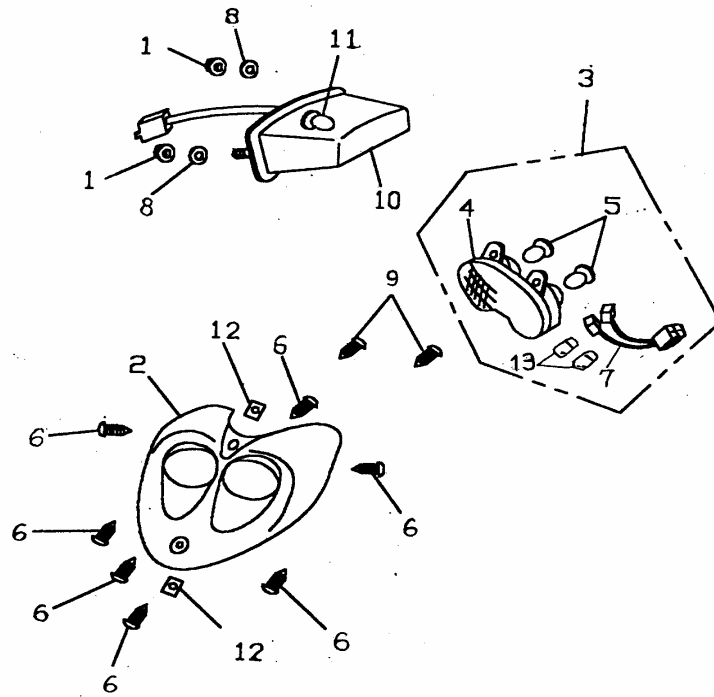


Fig. 18 Front Light Tail Light

1	D04-06	Nut, Flange	
2	FM01-CX050-000	Cover, Headlight	
3	FN00-CX050-00A	Head Light Ass'y	
4	FN01-CX050-000	Lens ,Head Light	
5	FN02-CX050-000	Bulb, Head Light	
6	D12-0416	Screw, Tapping	
7	FN03-CX050-00A	Wire, Front Light	
8	D11-061910	Washer, Plate	
9	D12-0516	Screw, Tapping	
10	FP00-CX050-000	Tail-Light	
11	FP01-CX050-000	Bulb, Tail-Light	
12	K42-04	Nut, U Plate	
13	FN04-CX050-000	Light, Location	

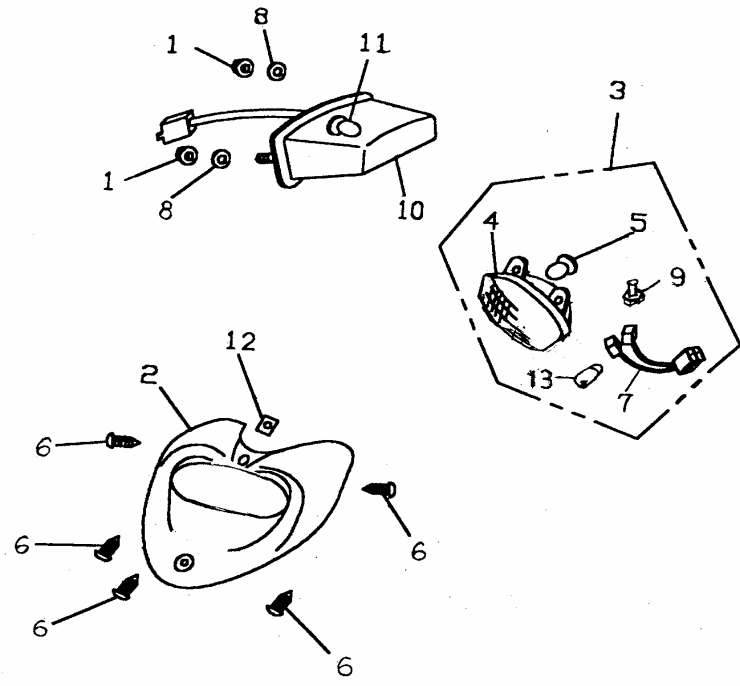


Fig. 18 Front Light Tail Light

1	D04-06	Nut, Flange	
2	FM01-AX050-000	Cover, Headlight	
3	FN00-AX050-00A	Head Light Ass'y	
4	FN01-AX050-000	Lens ,Head Light	
5	FN02-AX050-000	Bulb, Head Light	
6	D12-0416	Screw, Tapping	
7	FN03-AX050-00A	Wire, Front Light	
8	D11-061910	Washer, Plate	
9	D52-04012	Bolt, Pan, washer	
10	FP00-CX050-000	Tail-Light	
11	FP01-CX050-000	Bulb, Tail-Light	
12	K42-04	Nut, U Plate	
13	FN04-CX050-000	Light, Location	

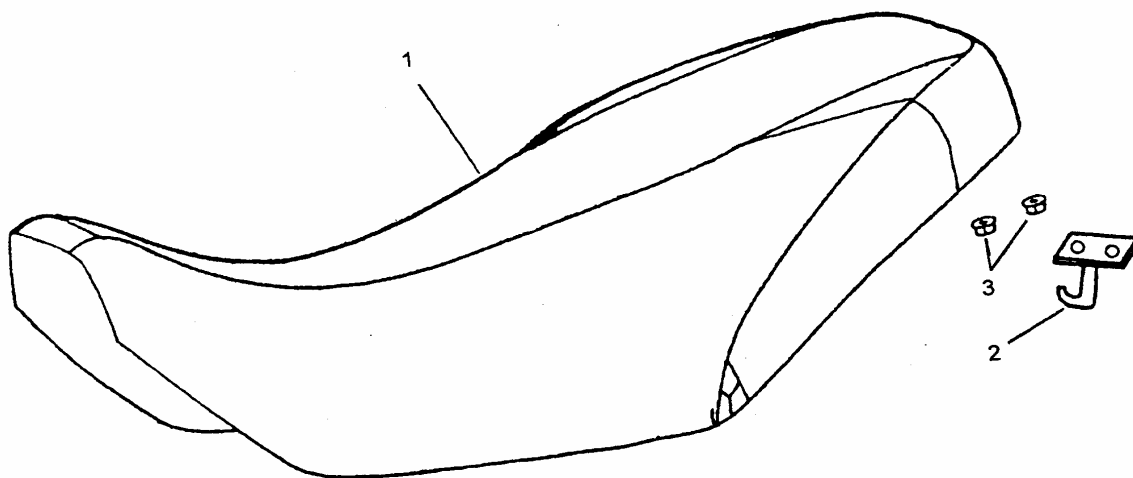


Fig. 19 Seat

1	FQ00-CX050-000	Seat Ass'y	
2	FQ01-CX050-000	Hook, Seat Fixed	
3	D04-06	Nut, Flange	

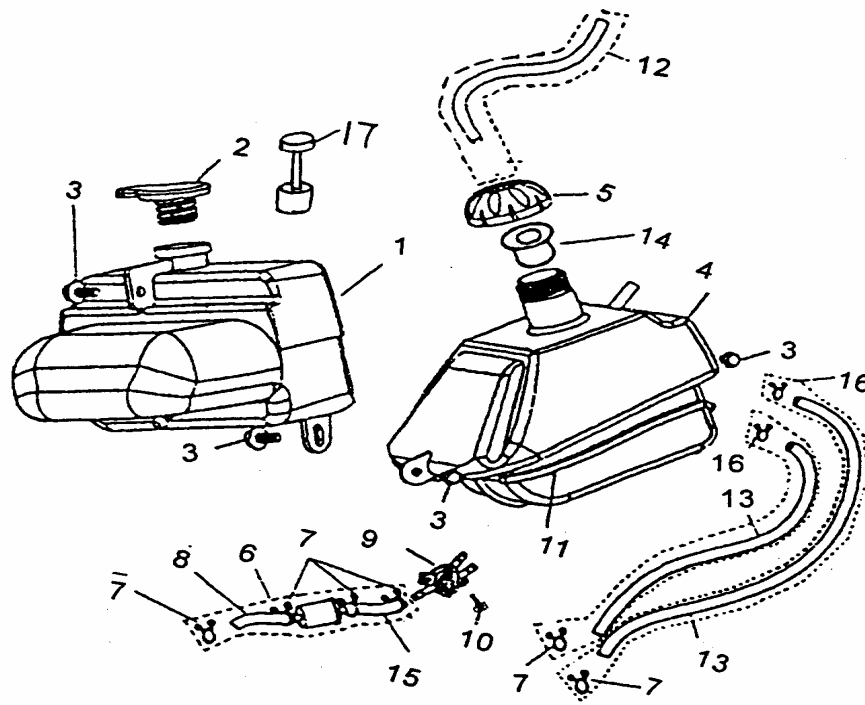


Fig. 20 Oil tank Fuel Tank

1	FR01-CX050-000	Tank, Oil	
2	FR05-CX050-000	Cap, Oil Tank	
3	K28-06016	Bolt, Hex.	
4	FR02-CX050-00A	Tank, Fuel(EEC homologation)	
5	FR05-CX050-000	Cap, Fuel Tank	
6	FR04-CX050-000	Filter Ass'y, Fuel	
7	D18-0808	Clip, Tube	
8	D17-4810075	Tube, Oil	
9	FR03-CX050-000	Cup Ass'y, Fuel	
10	D32-06012	Bolt, Flange	
11	FR06-CX050-000	Pad, Fuel Tank	
12	D17-4810280	Breathe Tube	
13	D17-4810280A	Pipe, Fuel	
14	FR07-CX050-000	Protective, Fuel Tank Cover	
15	D17-4810180	Pipe, Fuel	
16	D10-1208	Clip, Tube	
17	FR08-CX050-000	Gauge, Oil Level	

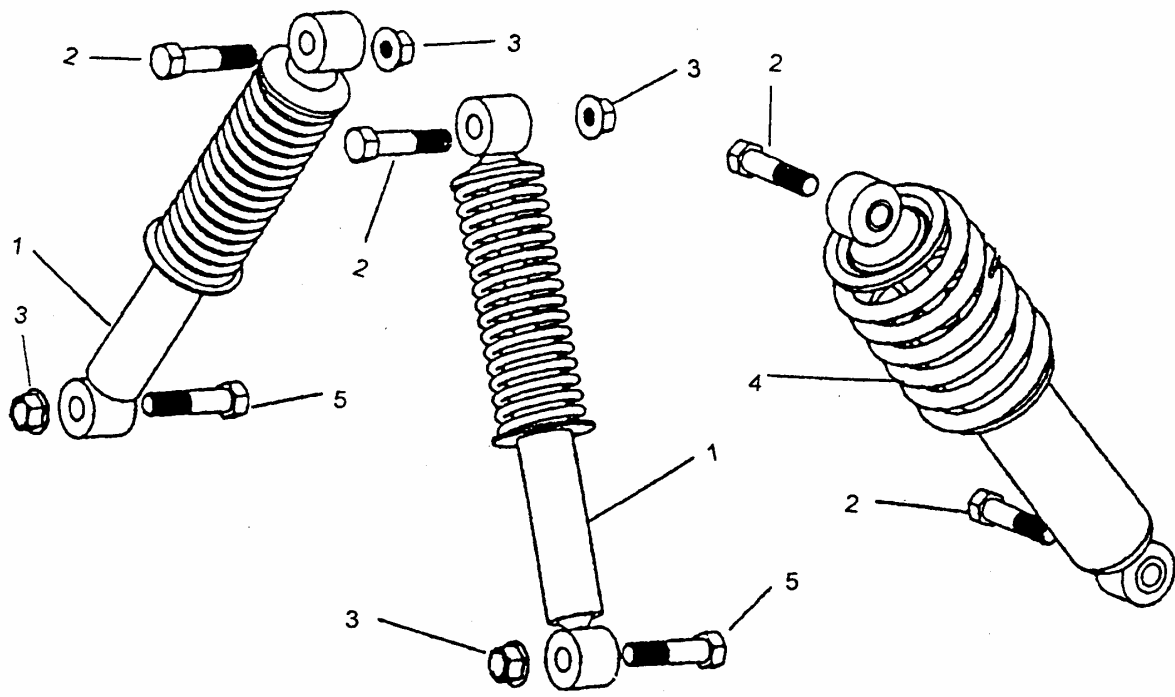


Fig. 21 Suspension

1	FS01-CX050-000	Shock Absorber, Front	
2	K32-10040	Bolt, Flange	
3	K33-10	Nut, Insert Lock	
4	FS01-CX050-000	Shock Absorber, Rear	
5	K44-10040	Bolt, Hex.	

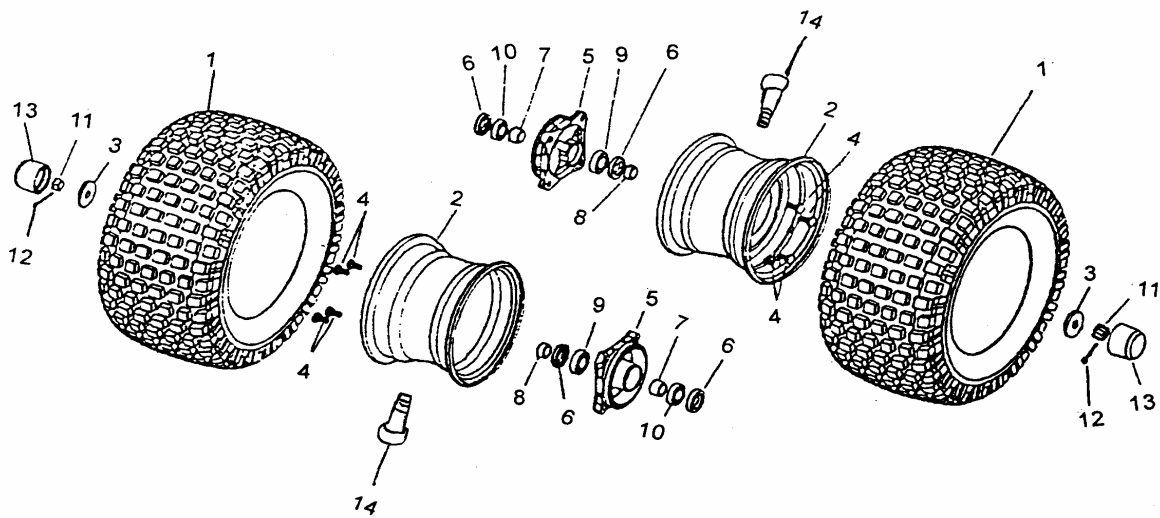


Fig. 22 Front Wheel		
1	FT02-CX050-000	Tyre
	FT02-CX050-00A	Tyre
2	FT01-CX050-000	Rim
3	D11-124045	Washer, Plate
4	D32-10020	Bolt, Hex. Washer Plate
5	FT08-CX050-000	Brake Drum, Front
6	D16-22357	Oil-Seal
7	D22-152115	Spacer, Inner
8	D22-152110	Spacer, Outer
9	D21-6002Z	Bearing
10	D21-6003Z	Bearing
11	D45-12	Nut, Insert Lock
12	D46-3232	Pin, Cotter
13	FT10-CX050-000	Cap, Rubber
14	FT07-CX050-000	Valve, Rim

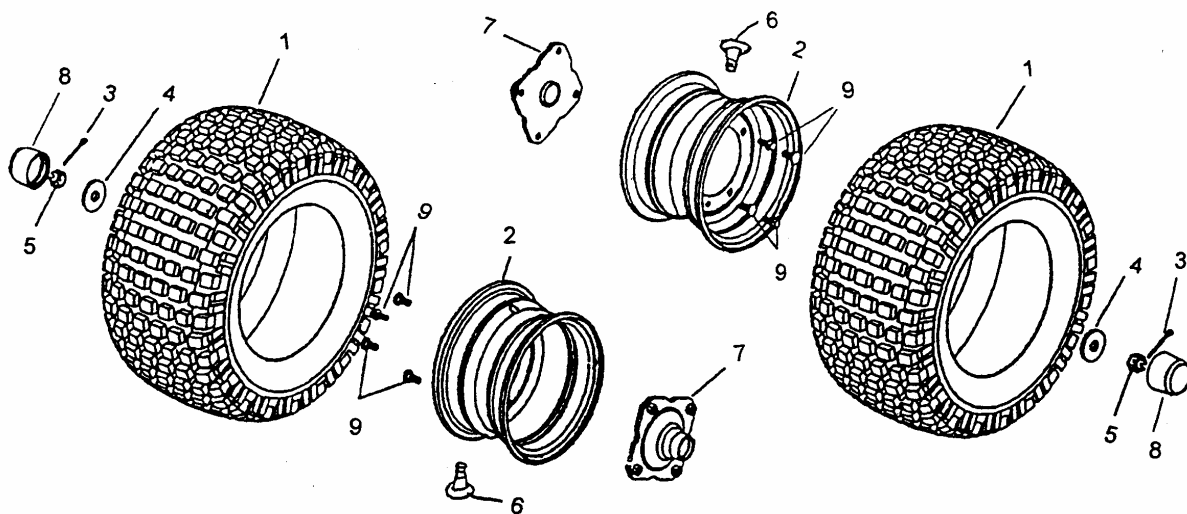


Fig. 23 Rear Wheel

1	FT02-CX050-000	Tyre	
	FT02-CX050-00A	Tyre	
2	FT01-CX050-000	Rim	
3	D46-3232	Pin, Cotter	
4	D11-154045	Washer, Plate	
5	D45-14	Nut, Insert Lock	
6	FT07-CX050-000	Valve, Rim	
7	FW14-CX050-000	Shaft Connector, Rear	
8	FT10-CX050-000	Cap, Rubber	
9	D32-10020	Bolt, Hex. Washer Plate	

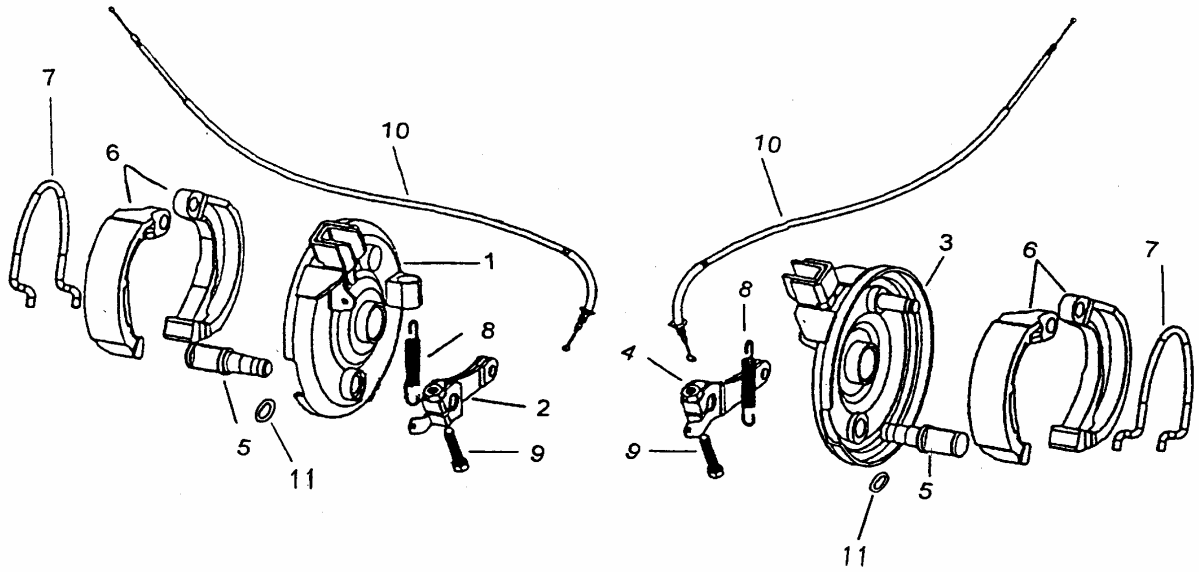


Fig. 24 Front Brake

1	FU01-CX050-000	Panel Comp., Front L. Brake	
2	FU03-CX050-000	Arm, Front L. Brake	
3	FU02-CX050-000	Panel Comp., Front R. Brake	
4	FU04-CX050-000	Arm, Front R. Brake	
5	FU11-CX050-000	Cam Shaft, Front Brake	
6	FU10-CX050-000	Brake Shoe, Front	
7	FU05-CX050-000	Strain Spring	
8	C48-1007044	Return Spring, Front Brake	
9	D32-05024	Bolt, Hex. Washer Plate	
10	FU06-CX050-000	Cable, Front Brake	
11	D18-10020	Ring, Oil	

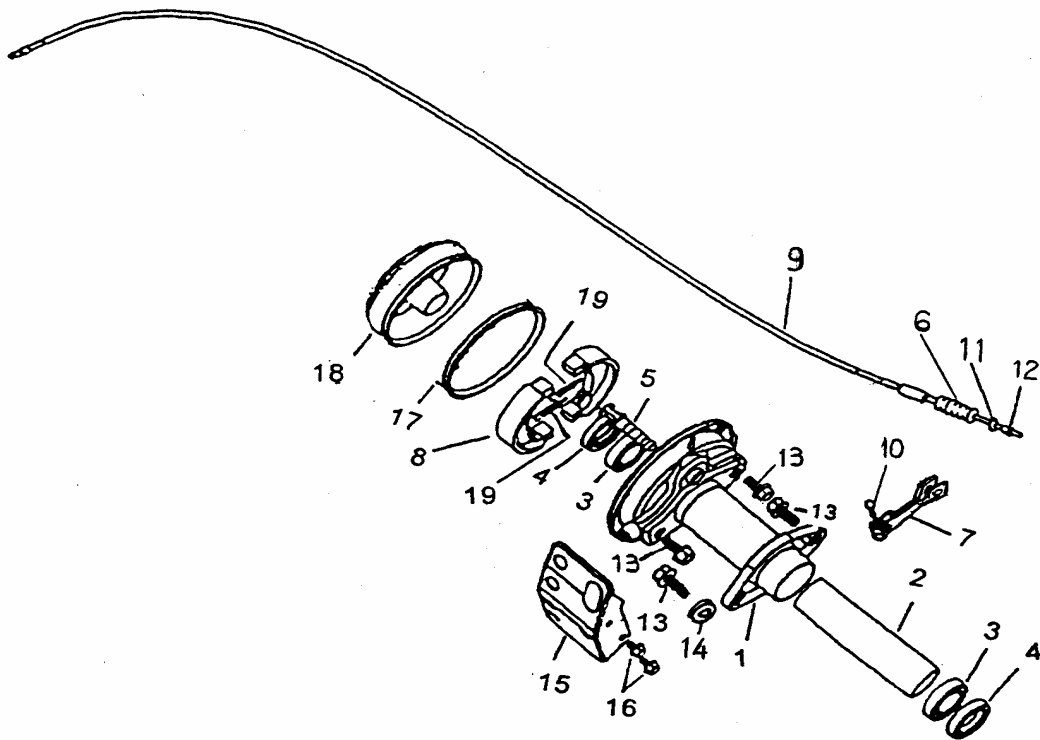


Fig. 25 Rear Brake

1	FW15-CX050-000	Fix Seat, Rear Axle	
2	D22-3136134	Spacer, Tube	
3	D21-6006ZZ	Bearing	
4	D16-355511	Oil-Seal	
5	FW02-CX050-000	Cam Shaft, Rear Brake	
6	D49-1211105	Return Spring, Rear Brake	
7	FW06-CX050-000	Arm, Rear Brake	
8	FW09-CX050-000	Shoe, Rear Brake	
9	FU07-CX050-000	Cable, Rear Brake	
10	D32-06032	Bolt, Hex. Washer Plate	
11	FW17-1220	Pin	
12	FW18-06	Nut, Brake Adjusting	
13	K32-12028	Bolt, Hex. Washer Plate	
14	D11-132550	Washer, Plate	
15	FW08-CX050-000	Protective, Rear Brake Cover	
16	K32-08012	Bolt, Flange	
17	BW07-CX050-000	Protective Rubber, Rear Brake	
18	FW01-CX050-000	Brake Drum, Rear	
19	C48-1608037	Return Spring, Rear	

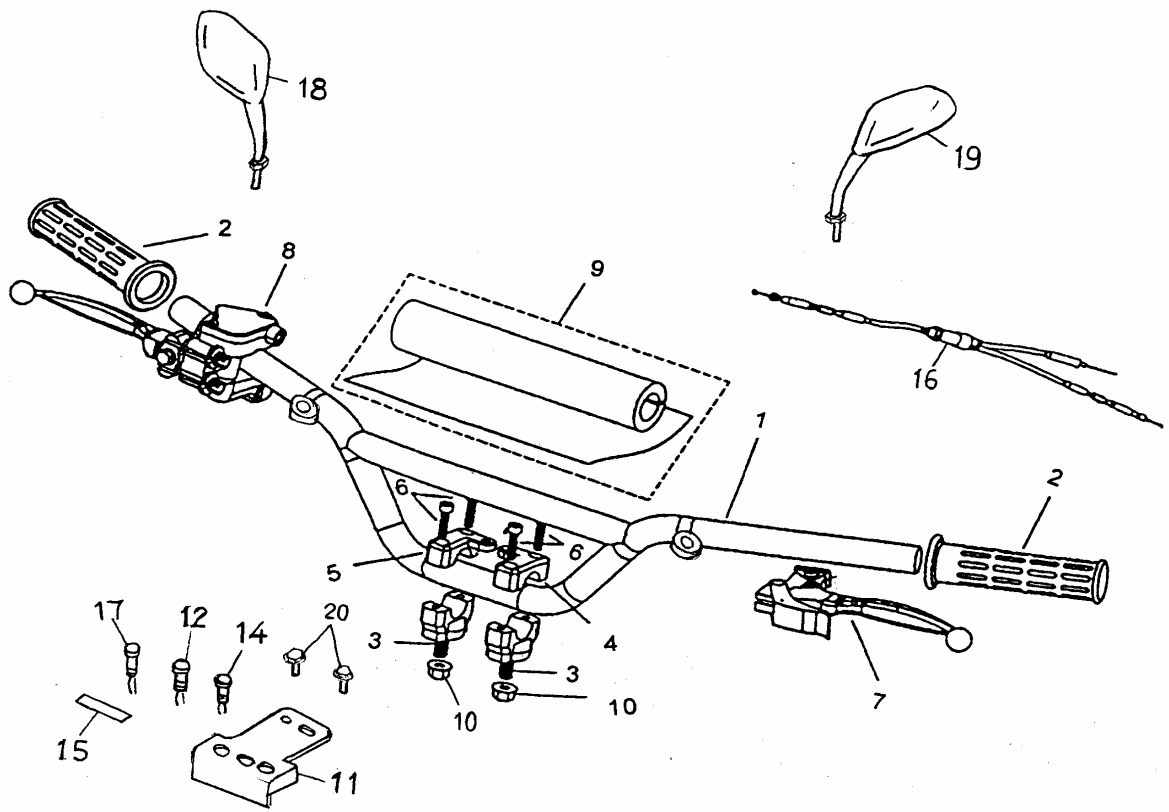


Fig. 26 Handle Bar

1	FX01-CX050-00B	Handle Bar Ass'y	
2	FX11-CX050-000	Crip, Handlebar	
3	FX06-CX050-000	Clamp Saddle, Handlebar	
4	FX07-CX050-000	Clamp Cap, Handlebar L.	
5	FX08-CX050-000	Clamp Cap, Handlebar R.	
6	K03-06025	Screw, Hex. Socket	
7	FX03-CX050-000	Level Ass'y, L.	
8	FX02-CX050-000	Level Ass'y, R.	
9	FX09-CX050-000	Protect Foam, Handlebar	
10	D33-10	Nut, Nylon Insert Lock	
11	FX26-AX050-000	Bracket, Lamp	
12	FX28-CX050-000	Lamp, Direction (Green)	
13	K32-06012	Bolt, Hex. Washer Plate	
14	FX29-CX050-000	Lamp, Far (Blue)	
15	FX27-CX050-000	Sticker, Lamp	
16	FU08-CX050-000	Cable, Throttle	
17	FX10-CX050-000	Lamp, Oil Warning (RED)	
18	FX19-CX050-000	Rear Mirror (L.)	
19	FX20-CX050-000	Rear Mirror (R.)	
20	K32-06012	Bolt, Hex. Washer Plate	

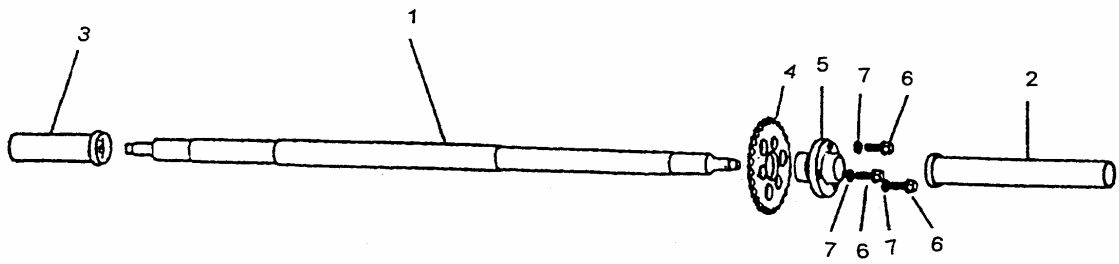


Fig. 27 Rear Wheel Axle

1	FY01-CX050-000	Wheel Axle, Rear	
2	FY04-CX050-000	Spacer Tube, R. (Long)	
3	FY03-CX050-000	Spacer Tube, L. (Short)	
4	FY02-CX050-000+B70	Sprocket, Driven (35T)	
5	FY05-CX050-000	Sprocket Holder, Driven	
6	K32-08020	Bolt, Hex. Washer Plate	
7	K24-081520	Washer, Spring	

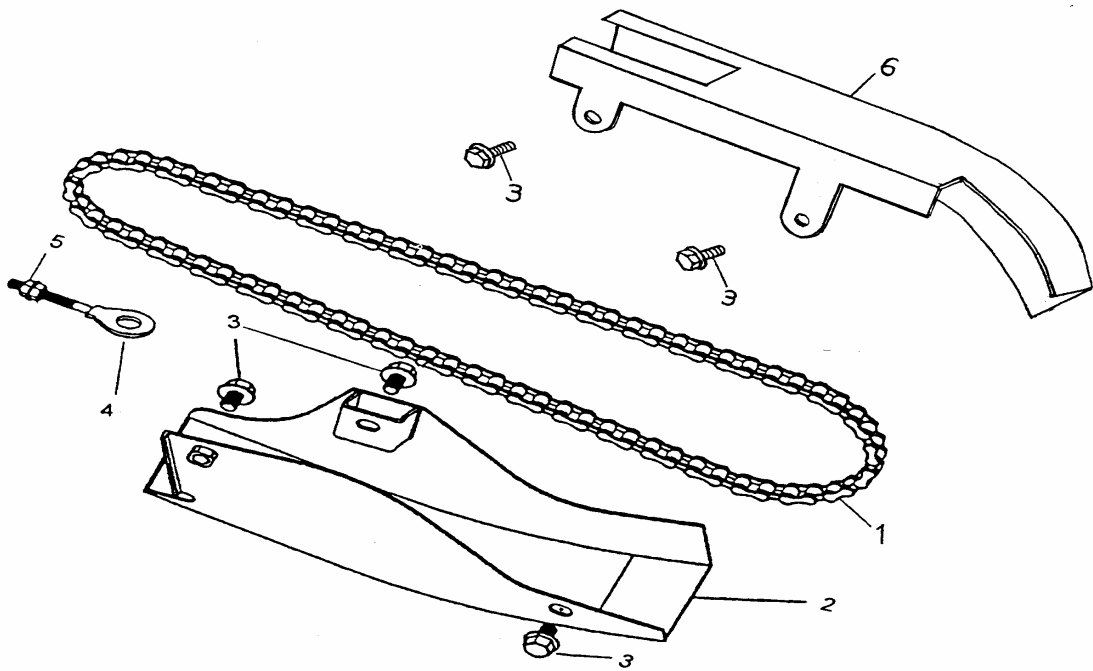


Fig. 28 Chain

1	FY06-CX050-000	Chain	
2	FY08-CX050-000	Protect Cover, Chain (Down)	
3	K32-08012	Bolt, Hex. Washer Flate	
4	FY07-CX050-000	Adjuster, Chain	
5	D06-06	Nut, Hex.	
6	FY10-CX050-000	Protect Cover, Chain (Up)	

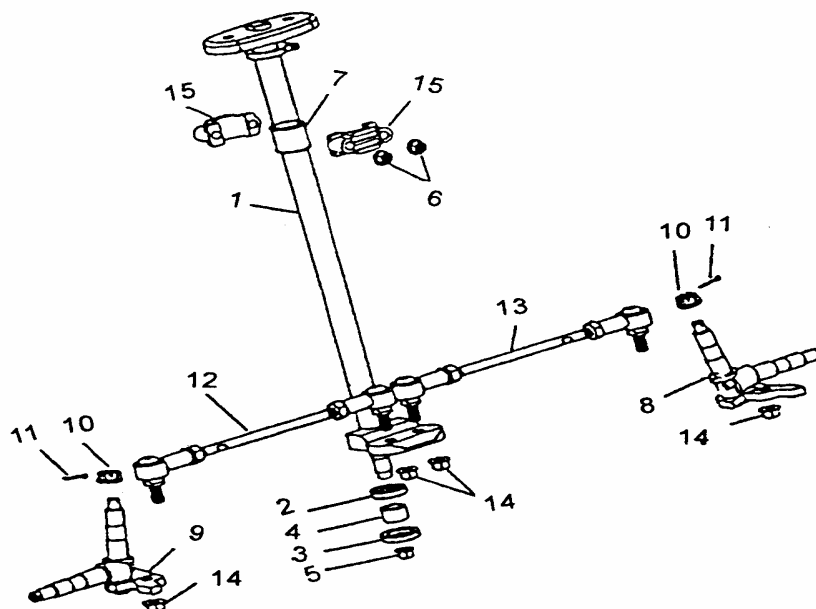


Fig. 29 Steering

1	FX12-CX050-000	Shaft Ass'y, Steering	
2	D16-18327	Oil-Seal	
3	D16-22357	Oil-Seal	
4	D22-153115	Spacer, Inner	
5	D51-14	Nut, Insert Lock	
6	D33-08	Nut, Nylon Insert Lock	
7	FX18-CX050-000	PU Sleeve, Steering Shaft	
8	FX13-CX050-000	Knuckle, L.	
9	FX14-CX050-000	Knuckle, R.	
10	D47-10	Nut, Insert Lock	
11	D46-1619	Pin, Cotter	
12	FX16-CX050-000	Tie-Rod, Steering (R.)	
13	FX15-CX050-000	Tie-Rod, Steering (L.)	
14	K33-10	Nut, Insert Lock	
15	FX17-CX050-000	Holder, Steering Shaft	

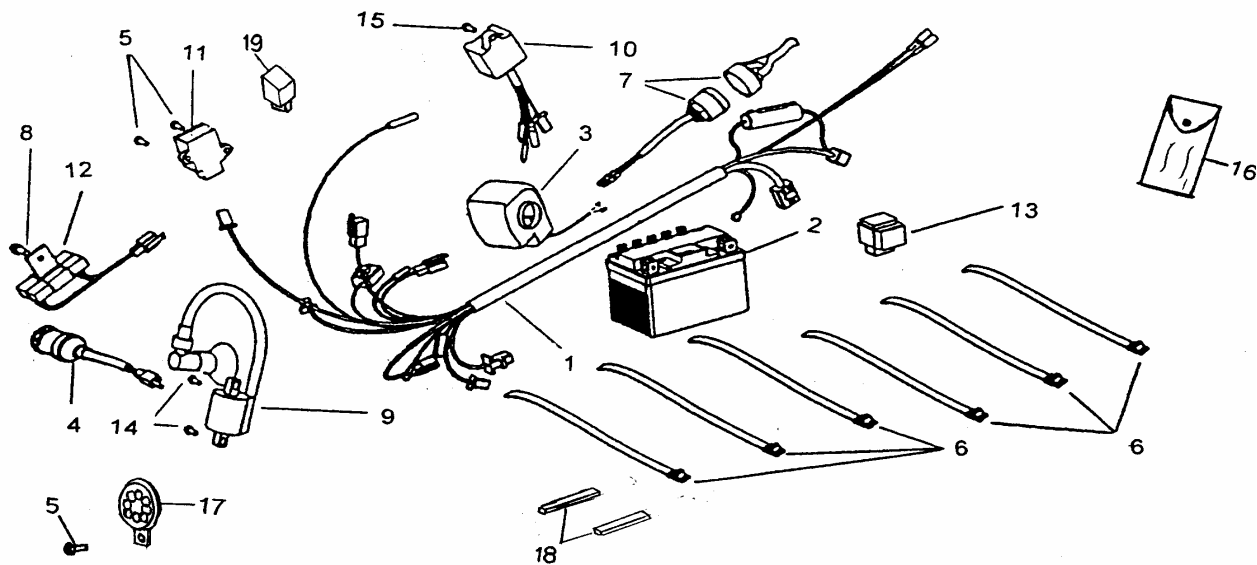


Fig. 30 Electrical Parts

1	FZ02-CX050-00A	Electric Wire (Homologation)	
2	FZ01-CX050-000	Battery	
	FZ01-CX050-00A	Battery	
3	FX21-CX050-00A	Switch Ass'y, L. (Homologation)	
4	FZ07-CX050-000	Main Switch	
5	K02-05016	Bolt, Pan Phillips	
6	D50-20025	Strap	
7	FZ12-CX050-000	switch, Safety	
8	K32-06012	Bolt, Hex. Washer Face	
9	FZ05-CX050-000	Coil, Ignition	
10	FZ03-CX050-000	C.D.I Unit	
11	FZ04-CX050-000	Rectifier & Regulator	
12	FZ09-CX050-000	Resistor	
13	FZ06-CX050-000	Starter Relay	
14	K32-06022	Bolt, Hex. Washer Face	
15	K32-06016	Bolt, Hex. Washer Face	
16	FZ10-CX050-000	Tool	
17	FZ08-CX050-000	Horn	
18	FR09-CX050-000	Pad	
19	FZ18-CX050-000	Direction Light Relay	