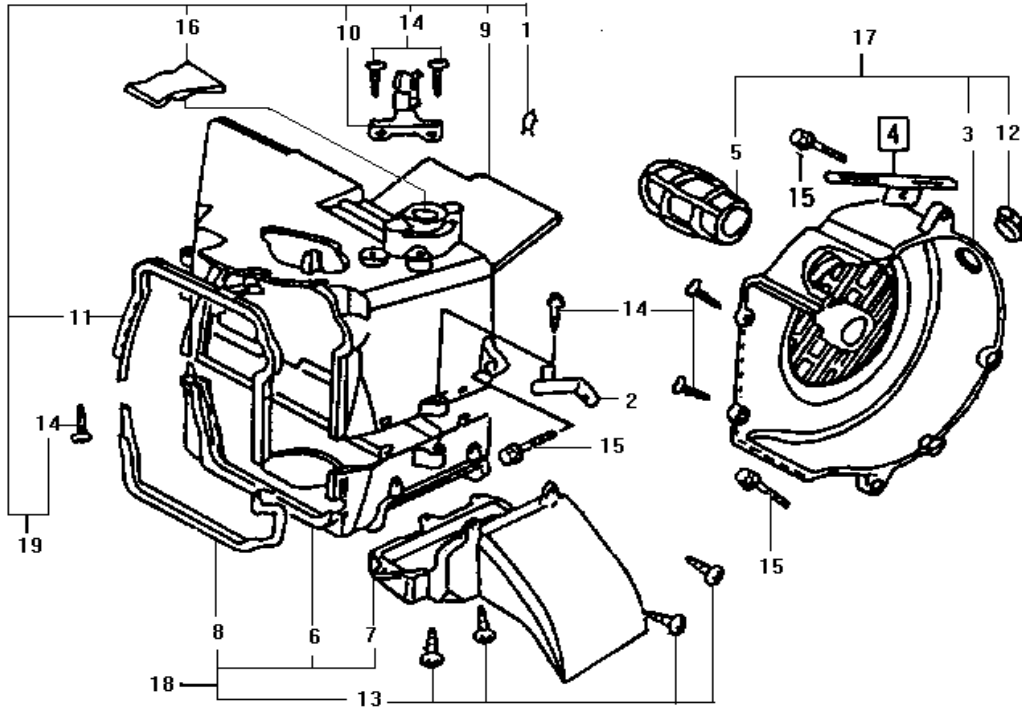


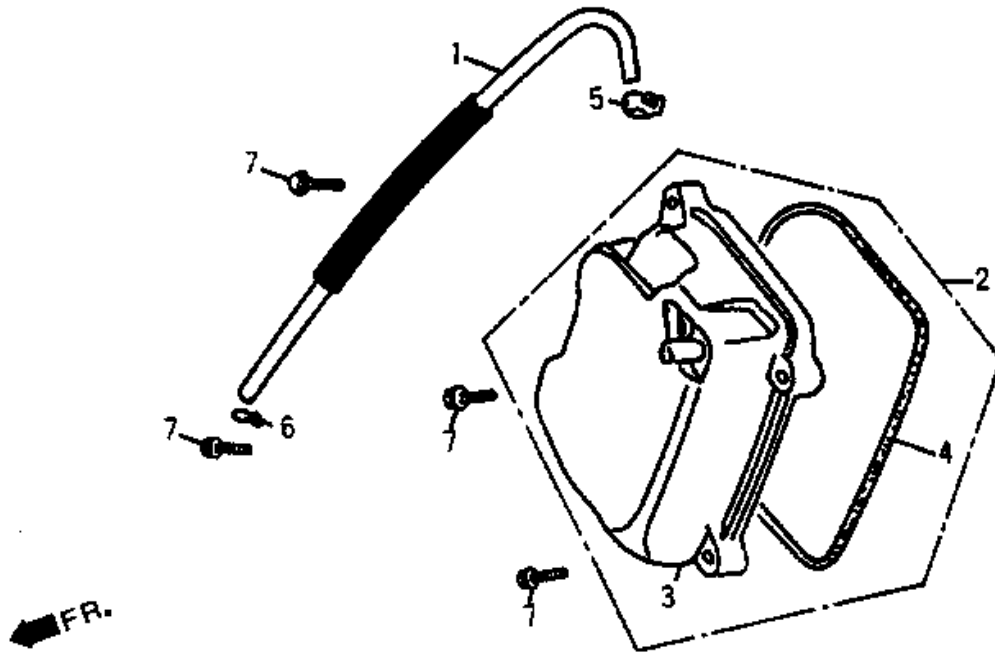
Sym

Husky

	NO.	PARTS NO.	NO.	PARTS NO.	NO.
1C14401-V02-000	E05	1236A-V02-000	E07	16201-M70-000	E03
1C15141-V02-000-M1	E09	<b>13000</b>		16211-GY6-900	E03
1P3010173	E03	13000-GY6-920	E16	1691A-V02-000	F13
<b>11000</b>		13010-V02-900	E16	16950-KV7-900	F13
11100-GY6-900	E15	13101-GY6-920	E16	<b>17000</b>	
11102-187-003	E15	13201-GY6-900-H1	E16	1711A-V02-000	E03
11192-M70-000	E15	1320A-V02-920	E16	17200-GY6-950	F15
11201-GY6-900	E15	13381-GY6-900-H1	E16	17208-GR1-010	F15
11202-GC7-300	E15	<b>14000</b>		17211-GY6-920-G	F15
11203-GC7-300	E15	14100-GY6-900	E04	17234-GY6-900	F15
11206-GY6-900	E12	14150-GY6-900	E04	17235-GY6-902	F15
1120A-V01-000	E15	14311-GY6-900	E16	17253-GY6-900	F15
1121A-V02-000	E02	14431-GY6-900	E04	17255-GY6-900	F15
11221-GY6-900	E15	14450-GY6-900	E04	17257-GY6-900	F15
11331-GY6-900	E07	14452-GY6-900	E04	17370-419-700	F15
1133A-V02-000	E07	14510-GY6-900-E1	E05	17371-174-670	F15
11346-GY6-900	F22	14520-GY6-901-M1	E05	17500-M41-000	F13
1134A-M70-010	E11	14523-M70-000	E05	17509-H12-000	F13
11381-GY6-940	E11	1453A-V02-000	E05	17550-H12-0100	F22
11382-GY6-900	E11	14610-GY6-900	E05	17620-H12-000	F13
11383-GY6-900	E11	14711-GY6-900	E04	1768A-V02-000	F13
11385-GY6-900	E01	14721-GY6-900	E04	17910-GY6-920	F03
11394-M70-000	E07	1475A-GN5-910-M1	E04	<b>18000</b>	
11395-M70-000	E11	14771-GB4-680-E1	E04	18291-M70-010	F16
11396-GY6-900	E11	14775-MA6-000	E04	1830A-M70-010	F16
<b>12000</b>		14781-MA6-000-E1	E04	18318-V02-800	F16
12100-GY6-000-A	E06	<b>15000</b>		18815-GY6-950	F06
12100-GY6-900	E06	15100-GY6-900	E09	<b>19000</b>	
12191-M70-000	E06	15131-GY6-900-H1	E16	19400-GY6-000	F22
12200-X07-000	E03	15133-GY6-900	E09	1940A-V02-000	F22
12202-GY6-900	E03	15421-107-000	E07	19510-GY6-900	E08
12203-GY6-900	E03	15426-GE1-920	E07	19613-GY6-900	E01
12209-MA6-003	E04	1565A-V02-000	E07	1961A-M62-000	E01
12211-GY6-900	E03	15711-GY6-900	E09	1962A-H12-000	E01
12237-GB4-681	E03	<b>16000</b>		1963A-V02-920	E01
12245-GB4-681	E03	16011-382-004	E17	<b>21000</b>	
12251-GY6-900	E03	16012-GY6-900	E17	21301-GY6-921	E14
12310-GY6-900	E02	16013-KN7-911	E17	21395-GY6-900	E14
1231A-X07-000	E02	16046-GY6-900	E17	<b>22000</b>	
1236A-A02-000	E07	1610A-V02-000	E17	22101-GY6-940	E13



MODEL(S) A125Q2-2			A P P L Y	Q T Y R E Q
BLOCK NO. A-1		CHANGE DATE		
DESCRIPTION	PARTS NUMBER			
2.Carb drian tube clamp	11385-GY6-900			1
4.Start motor cord clasper	19613-GY6-900			1
14.tapping screw 5;Ñ16	93904-35380			1
15.flange sh bolt 6;Ñ25	96001-06025-00			1
17.Fan cover assy	1961A-M62-000			1
18.Shroud A assy	1962A-H12-000			1
19.Shroud B assy	1963A-V02-920			1



MODEL(S)  
A125Q2-2

BLOCK NO. A-1

CHANGE  
DATE

A  
P  
P  
L  
Y  
Q  
T  
Y  
R  
E  
Q

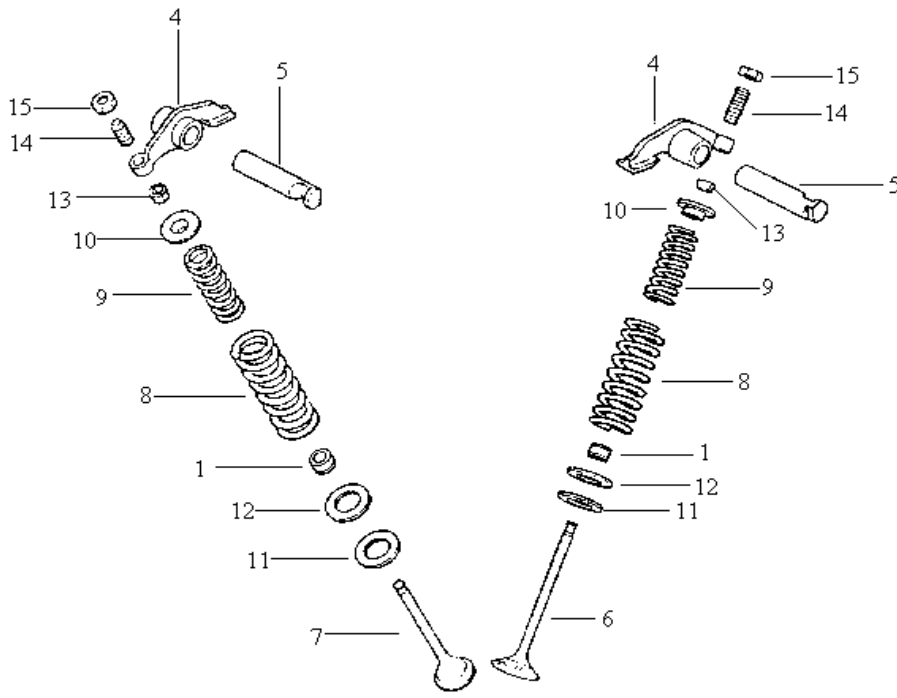
**DESCRIPTION**

**PARTS NUMBER**

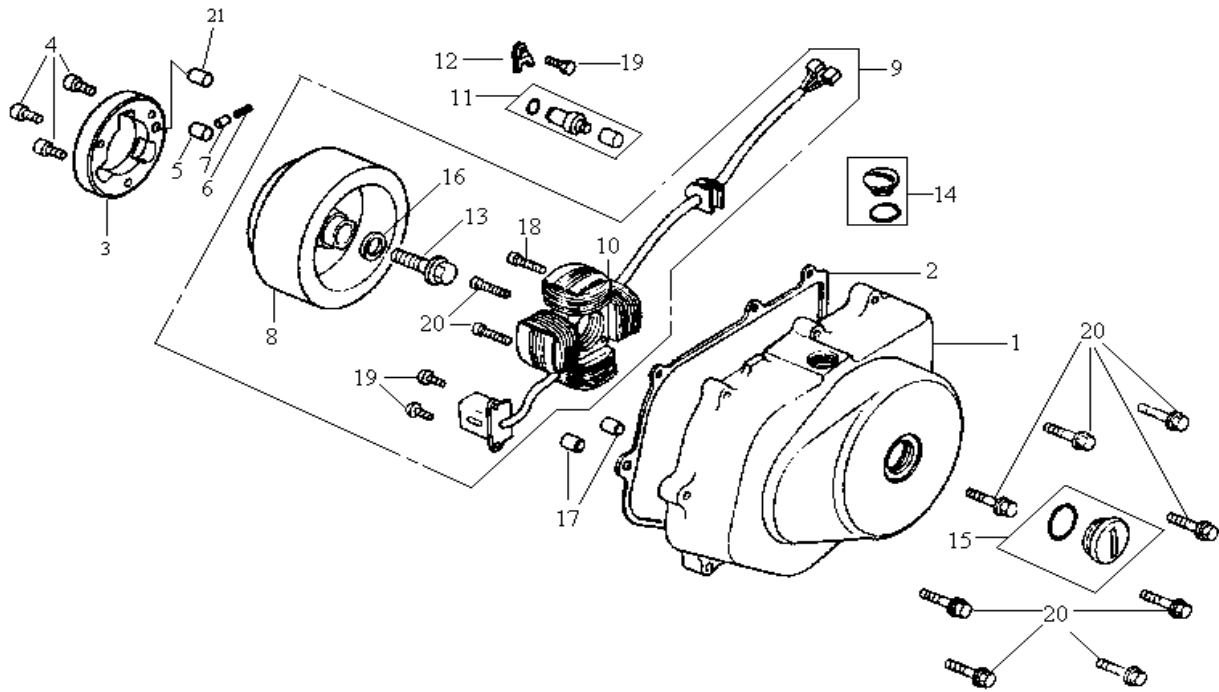
- 1.Breather tube
- 2.Head cover assy
- 4.Head cover gasket
- 5.Tube clamo d8.5
- 7.Flange bolt sh 6jÑ25

- 1121A-V02-000
- 1231A-X07-000
- 12391-GY6-943
- 95002-40850-08
- 96001-06025-00

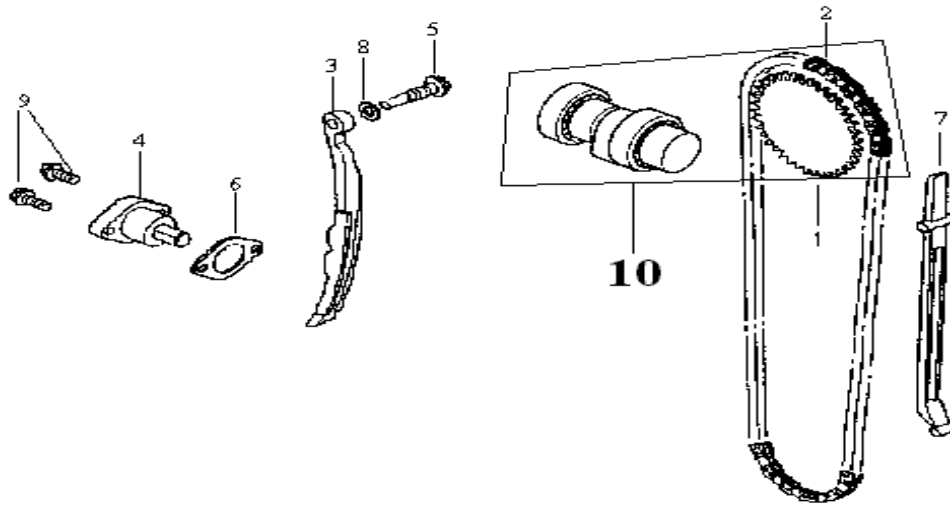
- 1
- 1
- 1
- 1
- 1



MODEL(S) N125A-6			A P P L Y	Q T Y R E Q
BLOCK NO. A-1		CHANGE DATE		
DESCRIPTION	PARTS NUMBER			
1.Valve stem seal	12209-B12-000			2
4.Valve rocker arm	14431-N01-000			2
5.Rocker arm shaft	14451-N01-000			2
6.Inlet valve	14711-N01-000			1
7.Exhaust valve	14721-N01-000			1
8.Valve outer spring	14751-N01-000			2
9.Valve inner spring	14761-N01-000			2
10.Valve spring retainer	14771-B08-000			2
11.Valve spring outer seat	14775-B08-000			2
12.Valve spring inner seat	14776-B08-000			2
13.Valve cotter	14781-N01-000			2
14.Tappet adjusting screw	90012-415-000			2
15.Tappet adjusting nut	90206-250-000			2
16.Ball bearing 6003z	96120-60030-00			2



MODEL(S) N125A-6			A P P L Y	Q T Y R E Q
BLOCK NO. A-1		CHANGE DATE		
DESCRIPTION	PARTS NUMBER			
1.L.crank case cover	11341-N02-000			1
2.L.crank case cover gasket	11395-N28-000			1
3.Starting clutch outer comp.	28120-N01-000			1
4.Socket bolt 6mm	28123-N01-000			3
5.Roller	28124-N01-000			3
6.Starting clutch roller spring	28125-S04-000			3
7.Starting clutch roller spr.cap	28126-253-030			3
8.Fly wheel comp.	31110-N28-000			1
9.A.C.G. Set ass'y	3110A-N17-000			1
10.Stator comp.	31120-N28-010			1
11.Neutral switch contact ass'y	35750-A08-000			1
12.Contact fixing plate	35755-B06-000			1
13.Rotor seting bolt	90023-B13-000			1
14.Cap ( 16mm ) ass'y	9008A-N01-000			1
15.Cap ( 27mm ) ass'y	9008B-N01-000			1
16.Rotor setting washer	90426-KK3-830			1
17.Dowel pin	90703-HC4-000			2
18.Pan screw	93500-04010-0A			2
19.Sh.flange bolt	96001-06010-08			1
20.Sh.flange bolt	96001-06032-00			8
21.Roller	96220-60130			1



MODEL(S)  
N125A-6

BLOCK NO. A-1

CHANGE  
DATE

A  
P  
P  
L  
Y  
Q  
T  
Y  
R  
E  
Q

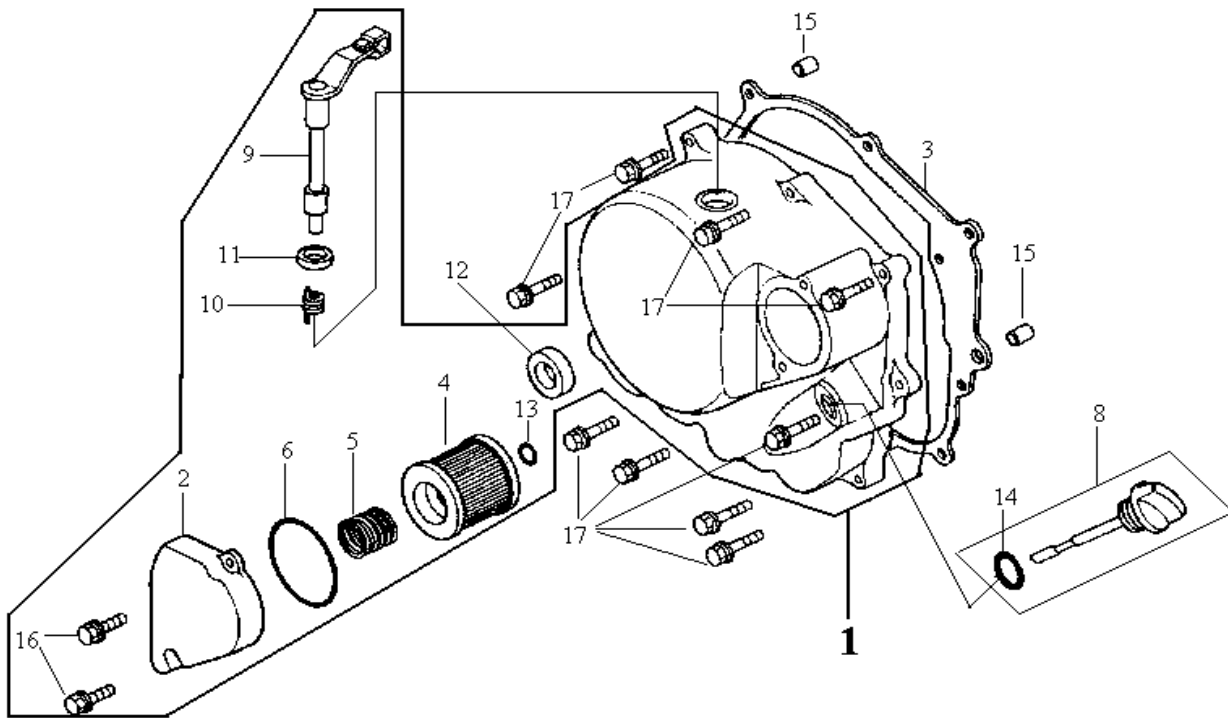
**DESCRIPTION**

**PARTS NUMBER**

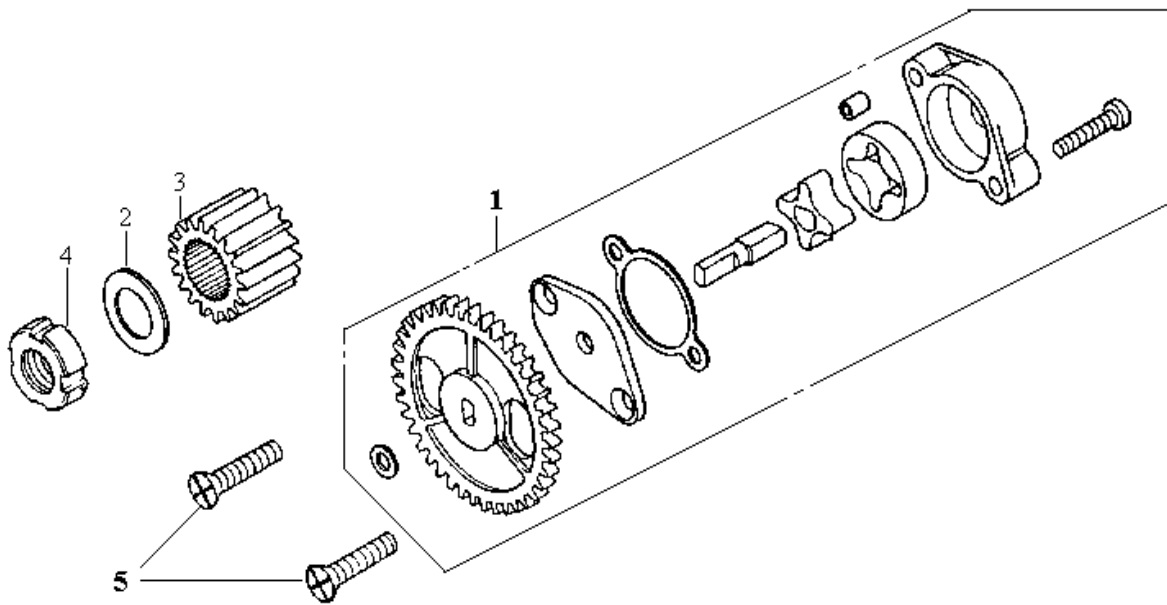
1.Cam sprocket	14321-X02-000		1
2.Cam chain 102L	14401-N01-000		1
3.Cam chain tensioner	14500-N01-000		1
4.Tensioner lifter ass'y	14520-GY6-901-M1		1
5.Tensioner pivot bolt	14535-N02-000		1
6.Tensioner lifter gasket	14523-GY6-900		1
7.Cam chain guide	14550-N01-000		1
8.Washer 12.5mm	90481-N01-000		1
9.Sh. flange bolt	96001-06016-00		2
10.Cam shaft comp.	14100-N04-010		1

# R. Crankcase Cover. Clutch Lever

E-06



MODEL(S) N125A-6			A P P L Y	Q T Y R E Q
BLOCK NO. A-1		CHANGE DATE		
DESCRIPTION	PARTS NUMBER			
1.R.crank case cover ass'y	1133A-N02-000			1
2.Oil filter cover	11335-N02-000			1
3.R.crank case cover gasket	11393-N01-010			1
4.Oil filter	15400-N01-000			1
5.Oil filter spring	15414-N01-000			1
6.O-ring	15415-N01-010			1
8.Oil lever gauge ass'y	1565A-N01-000			1
9.Clutch leve comp.	22710-N01-010			1
10.Clutch lever spring	22815-R02-000			1
11.Oil seal	90076-N01-000			1
12.Oil seal	91204-N01-000			1
13.O-ring	91306-N01-010			1
14.O-ring	91307-035-000			1
15.Dowel pin	94301-08140			2
16.Sh.flange bolt	96001-06016-00			2
17.Sh.flange bolt	96001-06032-00			10



MODEL(S)  
N125A-6

BLOCK NO. A-1

CHANGE  
DATE

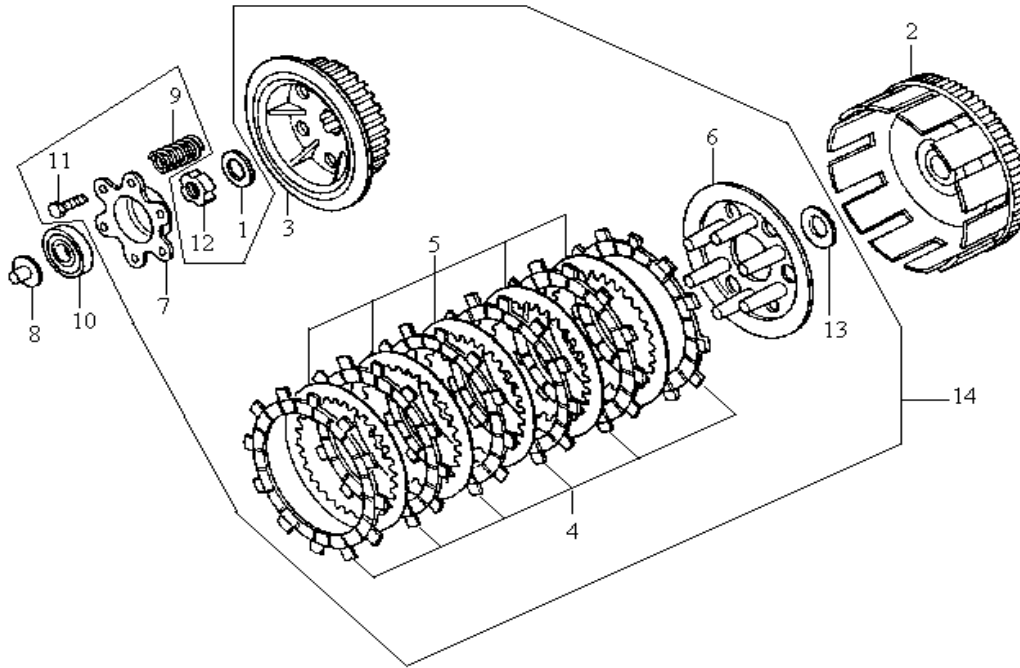
A  
P  
P  
L  
Y

Q  
T  
Y  
R  
E  
Q

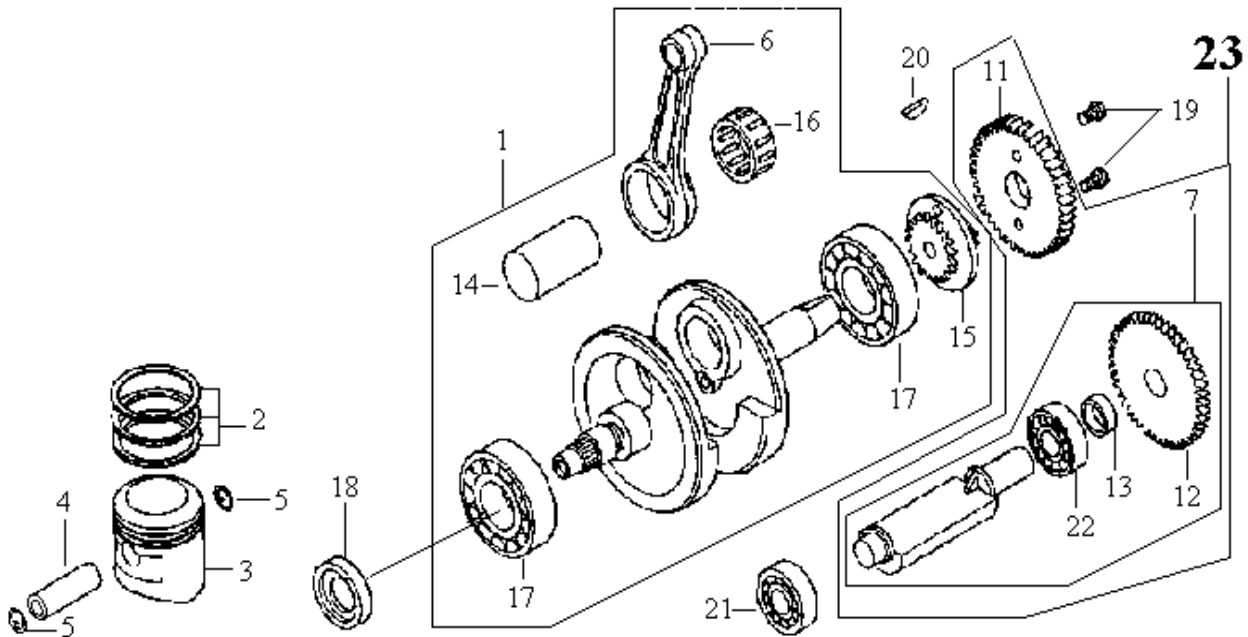
**DESCRIPTION**

**PARTS NUMBER**

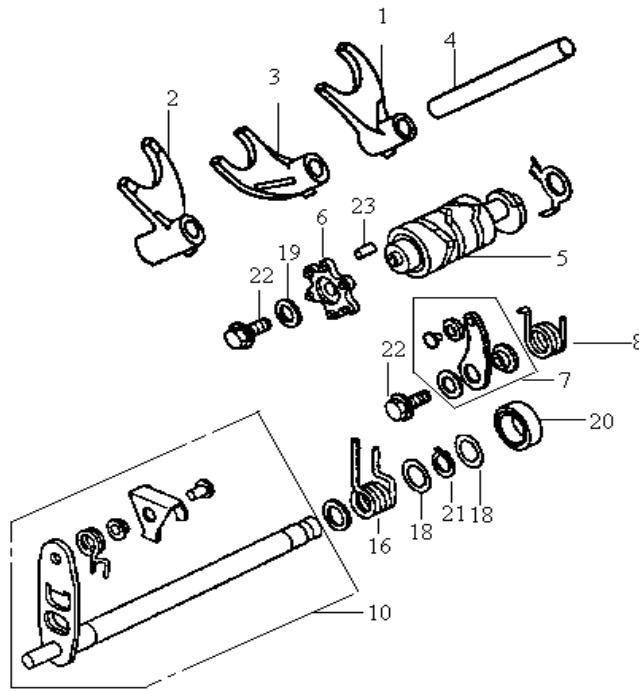
1.Oil pump ass'y	15100-N01-000		1
2.Oil filter lock washer	15451-B08-000		1
3.Primary drive gear	23121-N02-000		1
4.Primary gear nut	90231-N01-000		1
5.Flat screw	93600-06032-0A		2



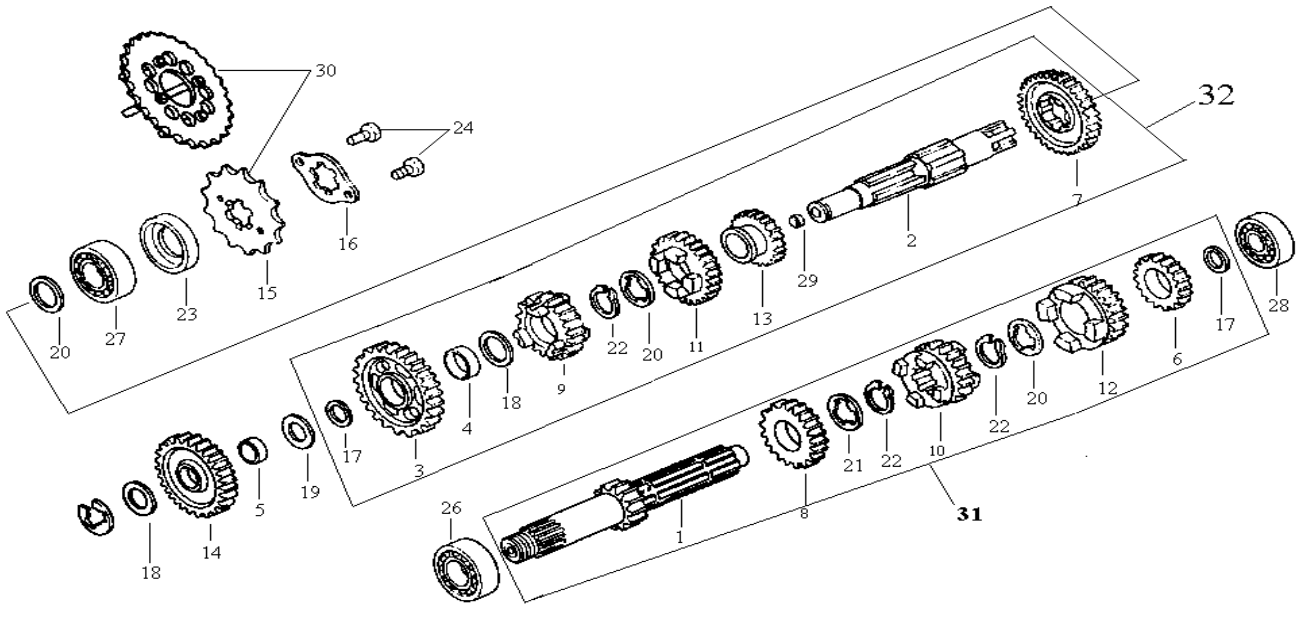
MODEL(S) N125A-6			A P P L Y	Q T Y R E Q
BLOCK NO. A-1		CHANGE DATE		
DESCRIPTION	PARTS NUMBER			
1.Oil filter lock washer	15451-B08-000			1
2.Clutch outer comp	22100-N02-000			1
3.Clutch center	22121-N01-000			1
4.Clutch friction disk	22201-R02-000-A			6
5.Clutch plate	22311-R02-000			5
6.Clutch ressure plate	22350-N01-000			1
7.Clutch lifter plate	22361-R02-000			1
8.Clutch lifter rod	22366-N01-000			1
9.Clutch spring	22401-N01-000			6
10.Bearing	90002-R02-000			1
11.Hex screw	90044-R02-000			6
13.Spline washer "B" 20mm	90461-N01-000			1
14.Clutch ass'y	22000-N04-000			1



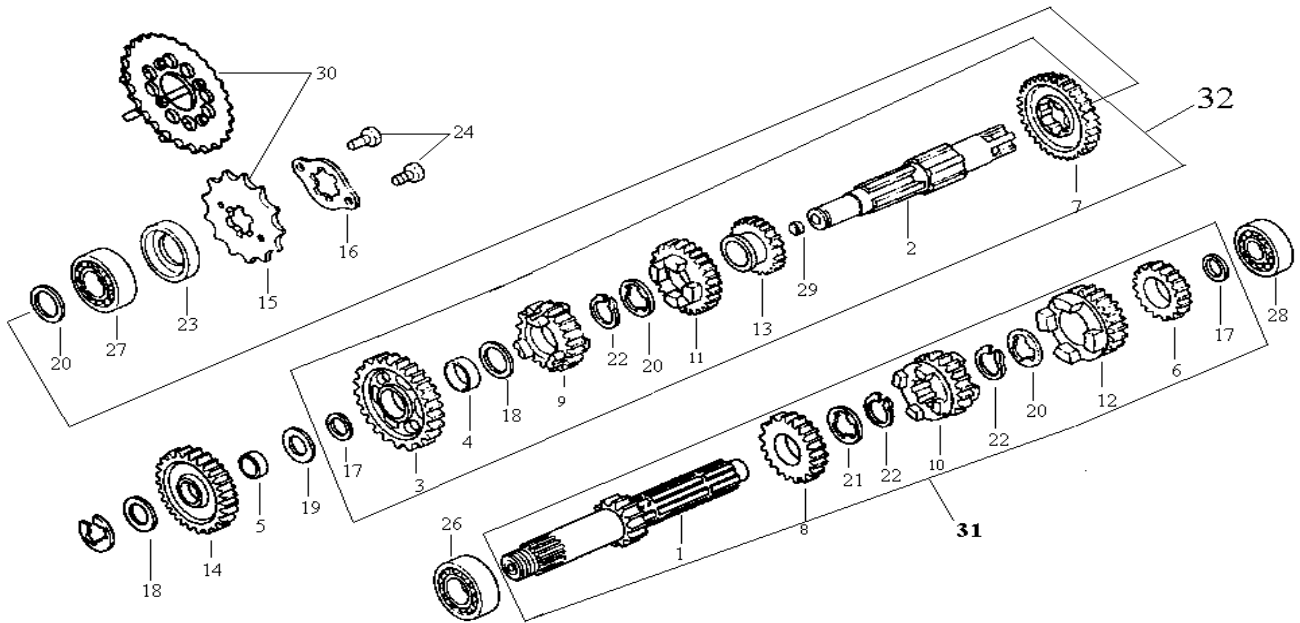
MODEL(S)			A	Q
N125A-6			P	T
	BLOCK NO. A-1	CHANGE DATE	P	R
DESCRIPTION	PARTS NUMBER		L <th>E </th>	E
1.Crank shaft comp.	13000-N01-010			1
2.Piston ring set	13011-N01-000			1
3.Piston	13101-N28-000			1
4.Piston pin	13111-N01-000			1
5.Piston pin clip	13115-N01-000			2
6.Connectng rod	13201-446-770-H1			1
7.Balance shaft comp.	13300-N01-020			1
11.Balance shaft drive gear	13331-N01-010			1
12.Balance shaft driven gear A	13332-N01-320			1
13.Balance shaft collar	13339-N01-000			1
14.Crank pin	13381-N01-000			1
15.Timing sprocket 19t	14311-N01-000			1
16.Con-rod end brg.	91002-446-771			1
17.Ball bearing 63/28	91011-B04-000			1
18.Oil seal 14;Ñ22;Ñ5	91201-N01-000			2
19.Hex bolt 6;Ñ12	92101-06012-0H			1
20.Woodruff key 25;Ñ14	94401-25140			1
21.Ball bearing 6203	96100-62030-00			1
22.Ball bearing 6303	96100-63030-00			1
23.Balance shaft set	1330A-N01-020			1



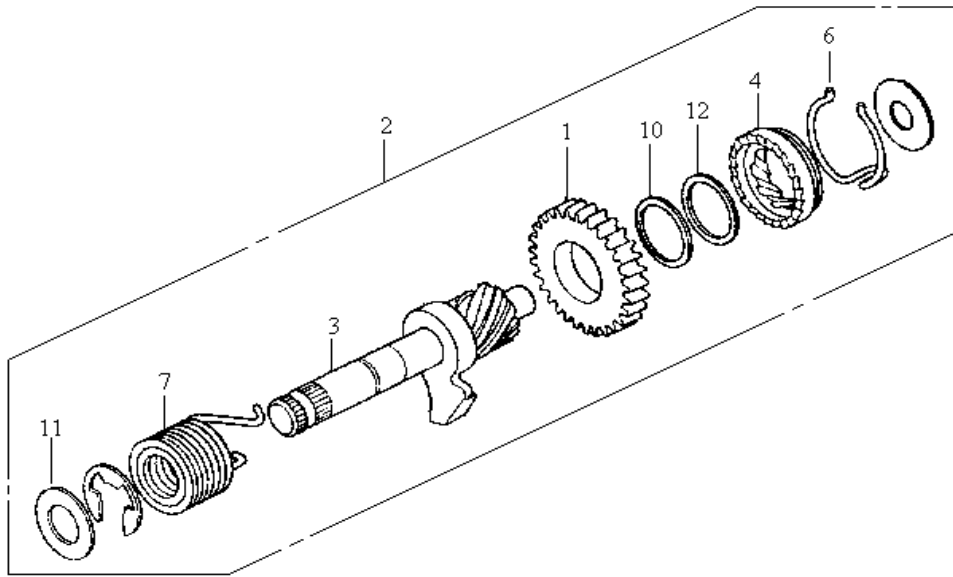
MODEL(S) N125A-6			A P P L Y	Q T Y R E Q
BLOCK NO. A-1		CHANGE DATE		
DESCRIPTION	PARTS NUMBER			
1.R.shift fork	24211-N01-000			1
2.L.shift fork	24221-N04-000			1
3.C.shift fork	24231-N04-000			1
4.Shift fork guide shaft	24241-N01-010			1
5.Shift drum	2430A-N28-000			1
6.Shift cam	24410-N28-010			1
7.Shift drum stopper comp.	24430-N28-000			1
8.Shift drum stopper spring	24435-B08-000			1
10.Shift spindle ass'y	2461A-N28-020			1
16.Shift return spring	24651-N01-000			1
18.Thurst washer 12.5mm	90451-N04-000			2
19.Thurst washer 6mm	90452-N01-010			1
20.Oil seal	91208-N01-010			1
21.Cir. clip ex. 12mm	94510-12000			1
22.Sh. flange bolt	96001-06016-00			2
23.Roller	96220-40100			1



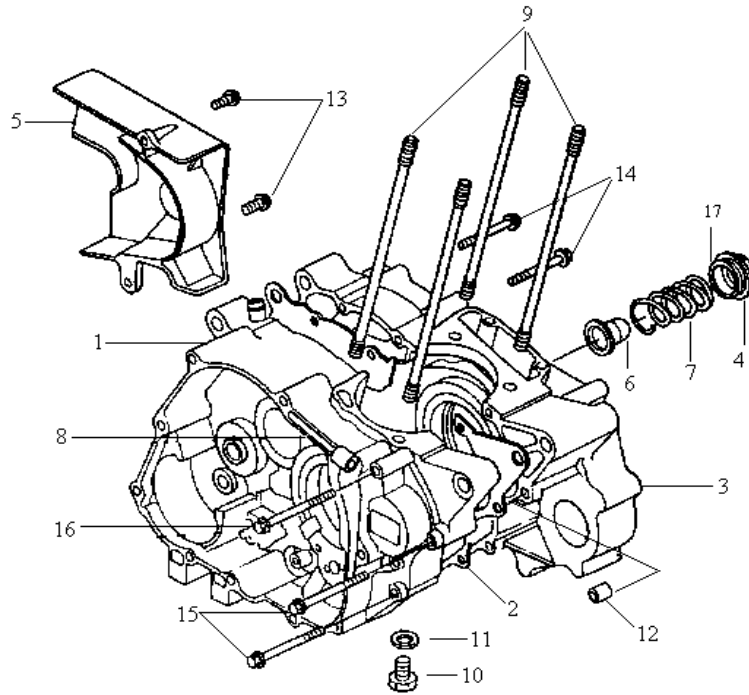
MODEL(S) N125A-6			A P P L Y	Q T Y R E Q
BLOCK NO. A-1		CHANGE DATE		
DESCRIPTION	PARTS NUMBER			
1.Main shaft	23211-N04-000			1
2.Counter shaft only	23220-N04-020			1
3.C-1 gear	23426-N04-000			1
4.C-1 collar	23427-N01-000			1
5.Collar 15mm	23431-N01-000			1
6.M-2 gear	23441-N04-000			1
7.C-2 gear	23451-N04-010			1
8.M-4 gear	23481-N02-000			1
9.C-4 gear	23491-N02-000			1
10.M-3 gear	23461-N02-000			1
11.C-3 gear	23471-N02-000			1
12.M-5 gear	23501-N04-000			1
13.C-5 gear	23511-N04-010			1
14.Primary start idle gear	23531-N01-000			1
15.Drive sprocket ( 15t )	23801-N02-000			1
16.Drive sprocket fix plate	23811-KR3-600			1
17.Thrust washer 15mm	90451-B04-000			2
18.Thrust washer 16.5mm	90452-B04-000			1
19.Thrust washer 15mm	90453-N01-000			2
20.Thrust washer B. 20mm	90454-B04-000			1
21.Thrust washer A. 20mm	90455-B04-000			3
22.Set ring 20mm	90605-A08-000			3
23.Oil seal	91201-B06-000			1
24.Hex bolt	92101-06010-0H			2



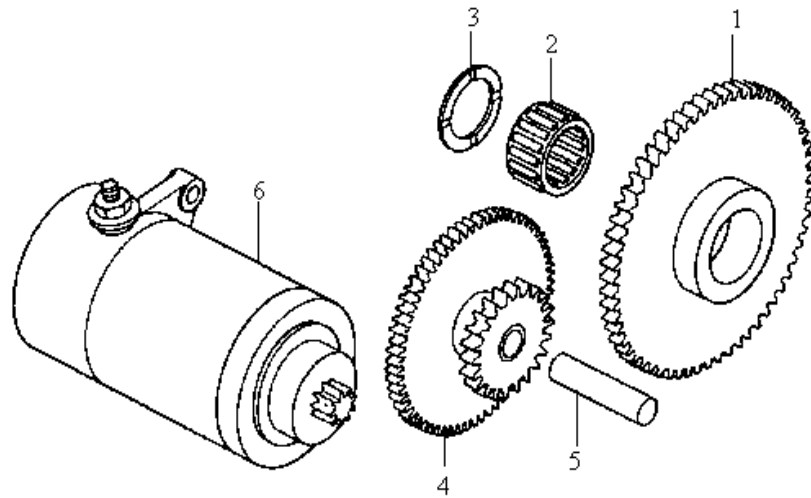
MODEL(S) N125A-6			A P P L Y	Q T Y R E Q
BLOCK NO. A-1		CHANGE DATE		
DESCRIPTION	PARTS NUMBER			
26. Ball bearing 6204	96100-62040-00			1
27. Ball bearing 6004z	96120-60040-00			1
28. Ball bearing 6202z	96120-62020-00			1
29. Cone type plug	96205-08006			1
30. Drive sprocket ass'y	4120A-N02-000			1
31. Main shaft assy	2321A-N04-010			1
32. Counter shaft assy	2322A-N04-020			1



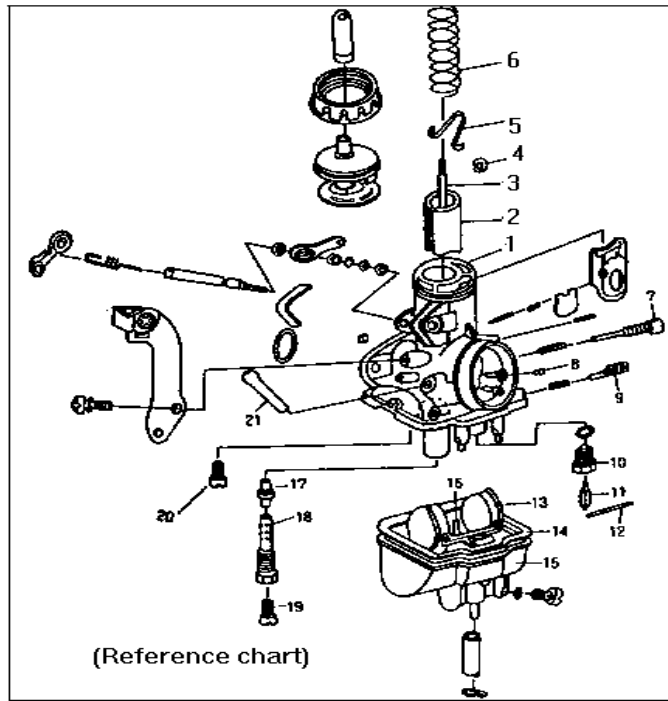
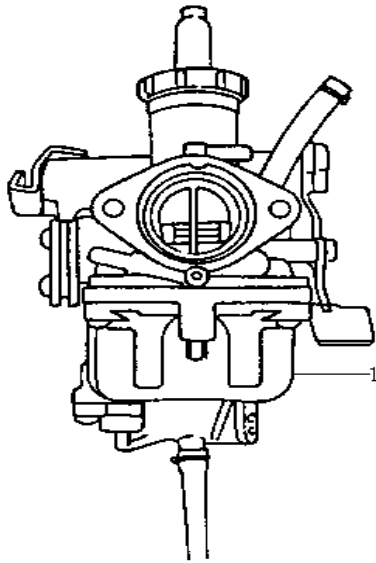
MODEL(S) N125A-6			A P P L Y	Q T Y R E Q
BLOCK NO. A-1		CHANGE DATE		
DESCRIPTION	PARTS NUMBER			
1.Kick starter pinion	28211-N01-000			1
2.Kick starter ass'y	28250-N02-000			1
3.Kick starter spindle	28251-N01-000			1
4.Starter drive ratchet	28253-N01-000			1
6.Starter pinion friction spring	28255-N01-000			1
7.Kick starter spring	28256-N01-000			1
10.Thrust washer 25mm	90458-B08-000			1
11.Thrust washer 16mm	90462-B04-000			1
12.Cir-clip 25mm	90601-B08-000			1



MODEL(S) N125A-6			A P P L Y	Q T Y R E Q
BLOCK NO A-1		CHANGE DATE		
DESCRIPTION	PARTS NUMBER			
1.R.crank case comp.	11100-N01-020			1
2.Crank case gasket	11191-N28-000			1
3.L.crank case comp.	11200-N04-010			1
4.Oil filter screen cap ass'y	1120A-N01-000			1
5.L.crank case rear cover comp.	11361-N02-000			1
6.Oil filter screen	15421-107-000			1
7.Oil filter screen spring	15426-N01-000			1
8.Clutch wire holder	22838-N02-010			1
9.Cylinder stud bolt a	90031-107-010			4
10.Drain plug bolt 12mm	92800-12000			1
11.Dowel plug washer	94109-12000			1
12.Dowel pin	90703-HC4-000			2
13.Sh.flange bolt	96001-06016-00			2
14.Sh.flange bolt	96001-06050-00			7
15.Sh.flange bolt	96001-06065-00			2
16.Sh.flange bolt	96001-06075-00			1
17.O-ring	91305-N01-010			1



MODEL(S) N125A-6			A P P L Y	Q T Y R E Q
BLOCK NO. A-1		CHANGE DATE		
DESCRIPTION	PARTS NUMBER			
1.Starter driven gear	28110-N01-010			1
2.Needle bearing 22;Ñ28;Ñ17	28112-N01-000			1
3.Starter driven gear washer	28114-N01-000			1
4.Starter reduction gear comp.	28130-N01-000			1
5.Starter reduction gear shaft	28132-S04-000			1
6.Starter motor ass'y	31200-N01-000			1



MODEL(S)  
N125A-6

BLOCK NO. A-1

CHANGE  
DATE

A  
P  
P  
L  
Y  
  
Q  
T  
Y  
R  
E  
Q

**DESCRIPTION**

**PARTS NUMBER**

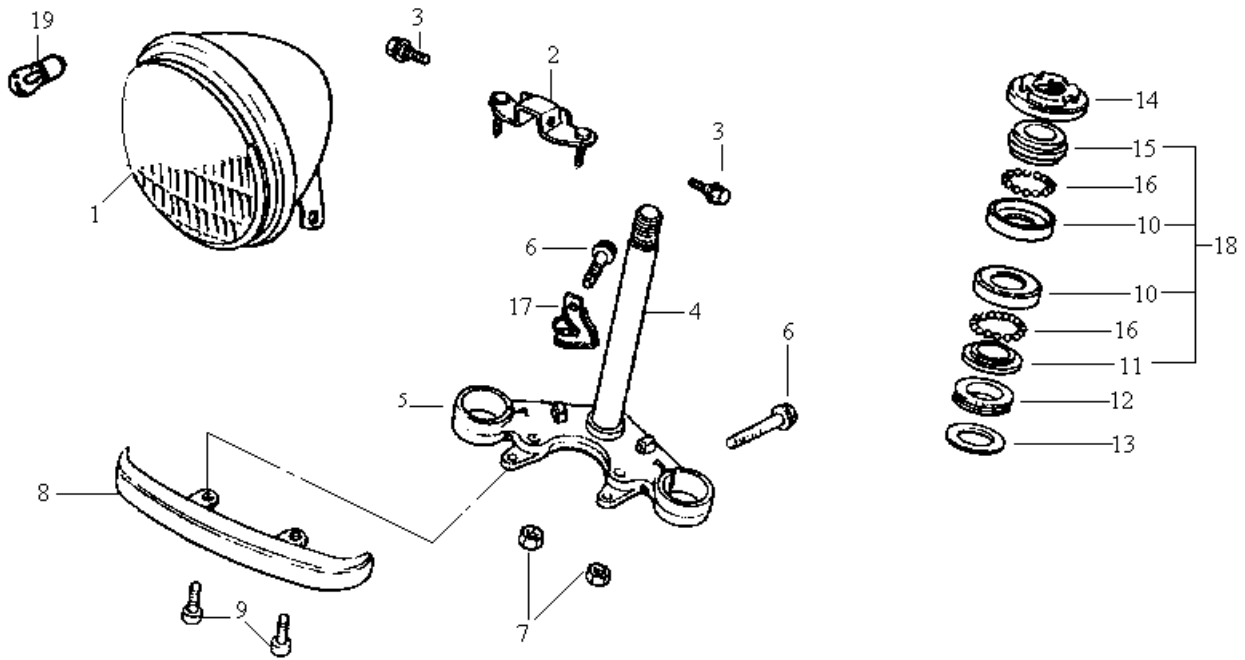
1.Carburetor ass'y

16100-N28-000

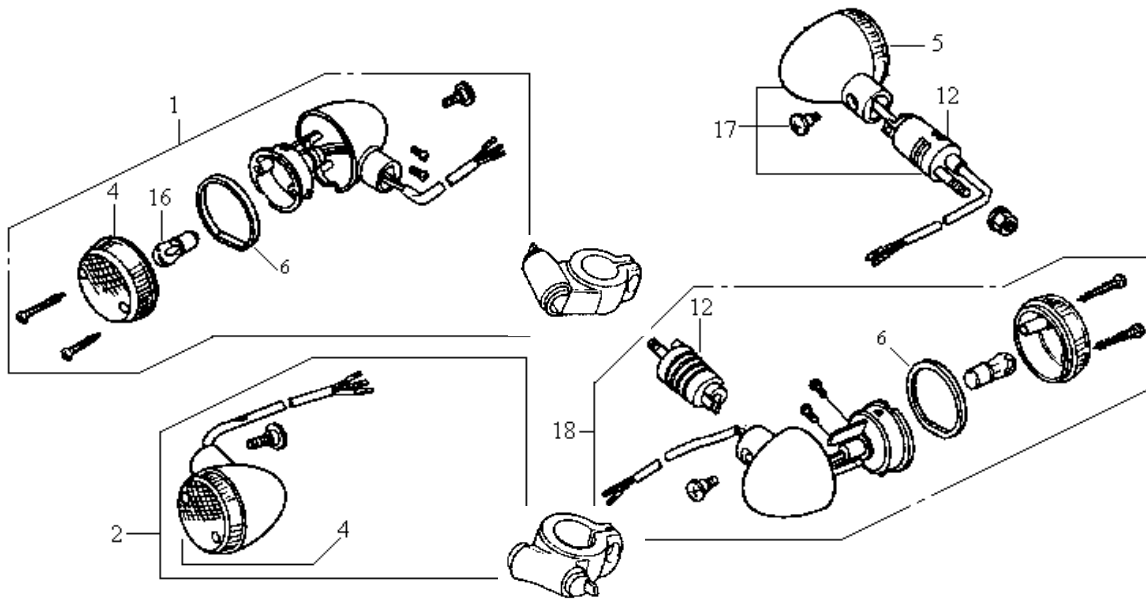
1

# Head Light . Steering Stem

F-01



MODEL(S)			A P P L Y	Q T Y R E Q
N125A-6				
	BLOCK NO. A-1		CHANGE DATE	
DESCRIPTION	PARTS NUMBER			
1.Head light ass'y	33100-N28-000			1
2.Head light brkt.	61314-N02-010			1
3.Washer bolt 8jÑ16	93413-08016-00			2
4.Steering stem pipe	53200-N02-000			1
6.Flange bolt 8jÑ35	95701-08035-07			2
7.Flange nut 8mm	94050-08000			2
8.FR.emblem	61400-N02-000			1
9.Flange bolt 6mm	90111-GJ5-000			2
10.Steering ball race	50301-A08-000			2
11.Steering bottom cone race	53212-A08-000			1
12.Steering head dust seal	53214-001-010			1
13.Steering head dust seal washer	53215-001-000			1
14.Steering head thread comp.	53220-N02-000			1
15.Steering top cone race	53211-A08-000			1
16.Steel ball #6(3/16)	96211-06000			42
17.FR.brake clamp B	45157-N02-000			1
18.Steering ball race set	50300-041-000			1
19.Head light bulb	34901-N01-000			1



MODEL(S)  
N125A-6

BLOCK NO. A-1

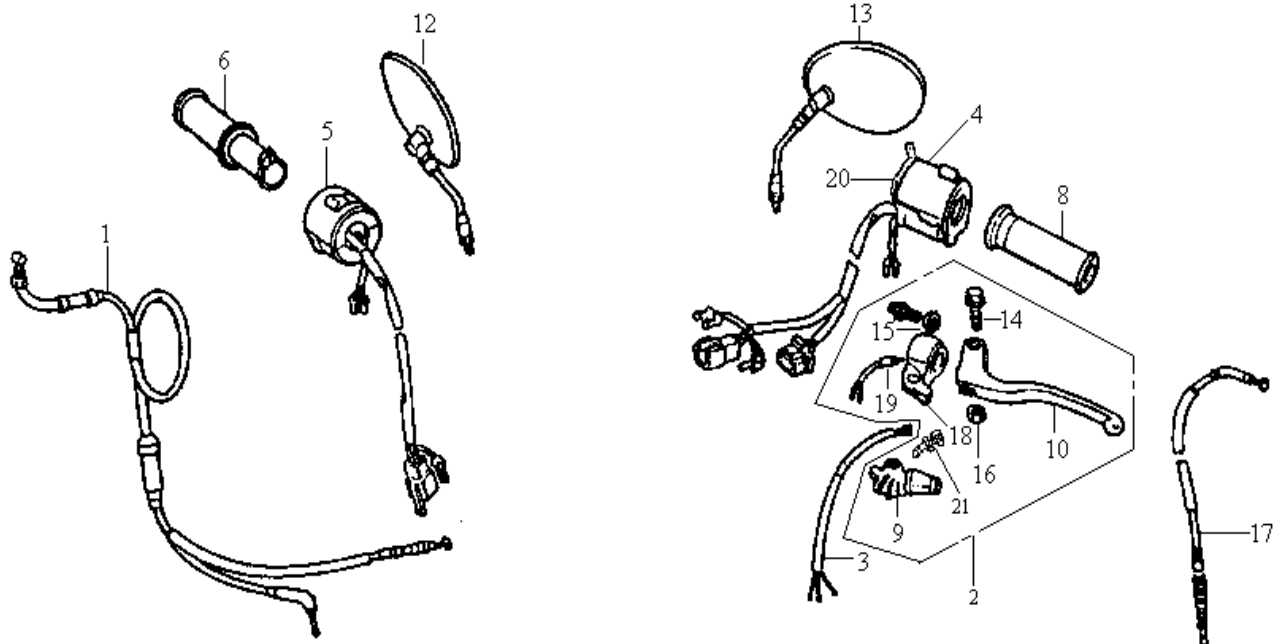
CHANGE  
DATE

A  
P  
P  
L  
Y  
Q  
T  
Y  
R  
E  
Q

**DESCRIPTION**

**PARTS NUMBER**

1.Fr.R.winker ass'y	33400-N28-000		1
2.Fr.L.winker ass'y	33450-N28-000		1
4.R FR./L.RR. Winker Lens	33402-N28-000		2
5.L.FR./R.RR.Winker Lens	33602-N28-000		2
6.Winker packing	33404-N02-000		4
12.Rr. winker base	33690-N02-000		2
16.Winker culb	34905-N28-000		4
17.R.rr.winker socket ass'y	33600-N28-000		1
18.L.rr.winker socket ass'y	33650-N28-000		1



MODEL(S)  
N125A-6

BLOCK NO. A-1

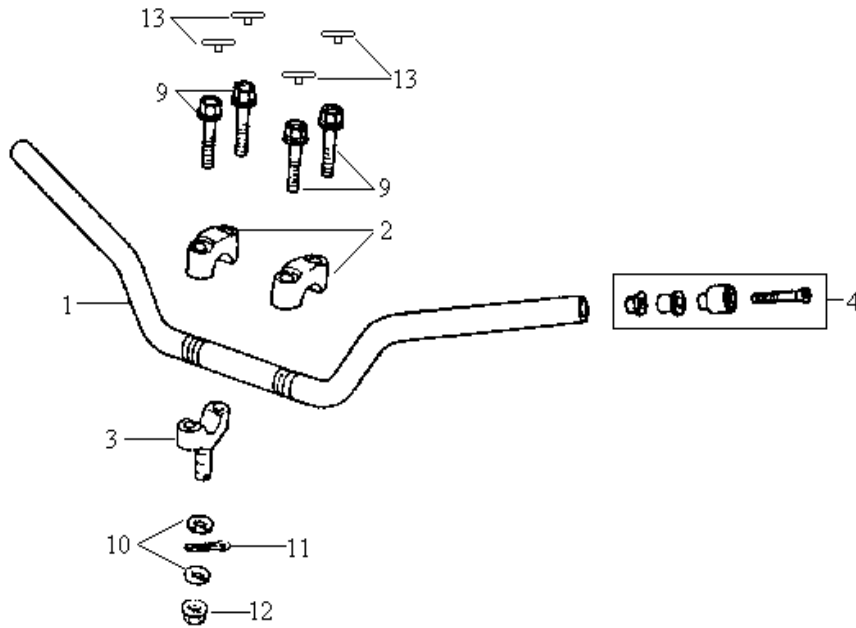
CHANGE  
DATE

A  
P  
P  
L  
Y  
Q  
T  
Y  
R  
E  
Q

**DESCRIPTION**

**PARTS NUMBER**

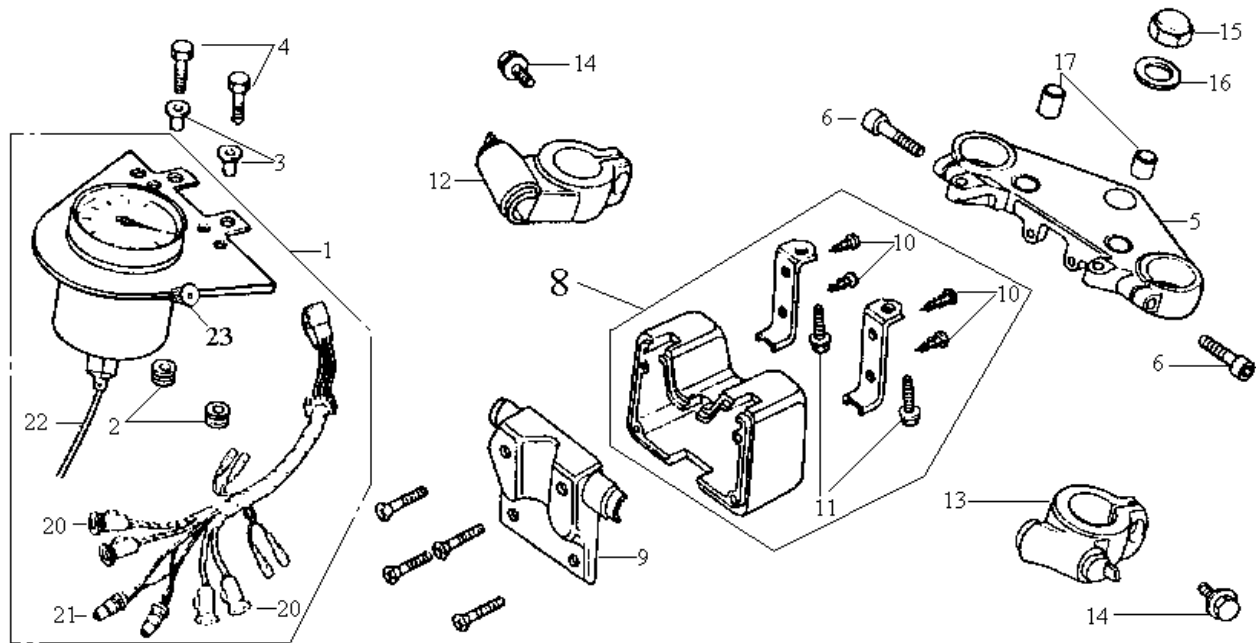
1.Throttle cable comp.	17910-N28-000		1
2.L.handle lever brakt set	5319A-N28-000		1
3.Clutch cable comp.	22870-N28-010		1
4.Winker sw ass'y	35200-N02-010		1
5.Starter light sw. ass'y	35150-N02-010		1
6.Throttle grip comp.	53140-N02-000		1
8.L.handle grip	53166-N02-000		1
9.L.hnadle lever cover comp.	53179-N01-000		1
10.L.steering handle lever	53190-N02-600		1
12.R.mirror ass'y	88110-N02-000		1
13.L.mirror ass'y	88120-N02-000		1
14.Handle lever pivot bolt	90136-107-720		1
15.Fixing nut	90321-315-670		1
16.Hex nut 6mm	94001-06000-0S		1
17.Choke cable comp.	17950-N28-000		1
18.L.handle lever brkt.	53172-N02-600		1
19.Clutch sw. ass'y	35330-N28-000		1
20.Choke lever	17962-N02-000		1
21.Adjust screw set	53192-203-000		1



MODEL(S) N125A-6			A P P L Y	Q T Y R E Q
BLOCK NO. A-1		CHANGE DATE		
DESCRIPTION	PARTS NUMBER			
1.Steering handle pipe	53100-N02-010			1
2.Handle pipe upper holder	53131-N02-000			2
3.Handle pipe under holder	53121-N02-000			2
4.Handle pipe wt.ass'y	53104-N02-000			2
9.Socket bolt 6;Ñ22	96700-06022-00			4
10.Plain washer 10mm	94103-10000			4
11.Flange nut 10mm	94050-10000			2
12.Split pin 1.5;Ñ15	94201-16150-0A			2
13.Handle holder cap	53102-N02-000			4

# Speedometer . Fork Top Bridge

F-05



MODEL(S)  
N125A-6

BLOCK NO. A-1

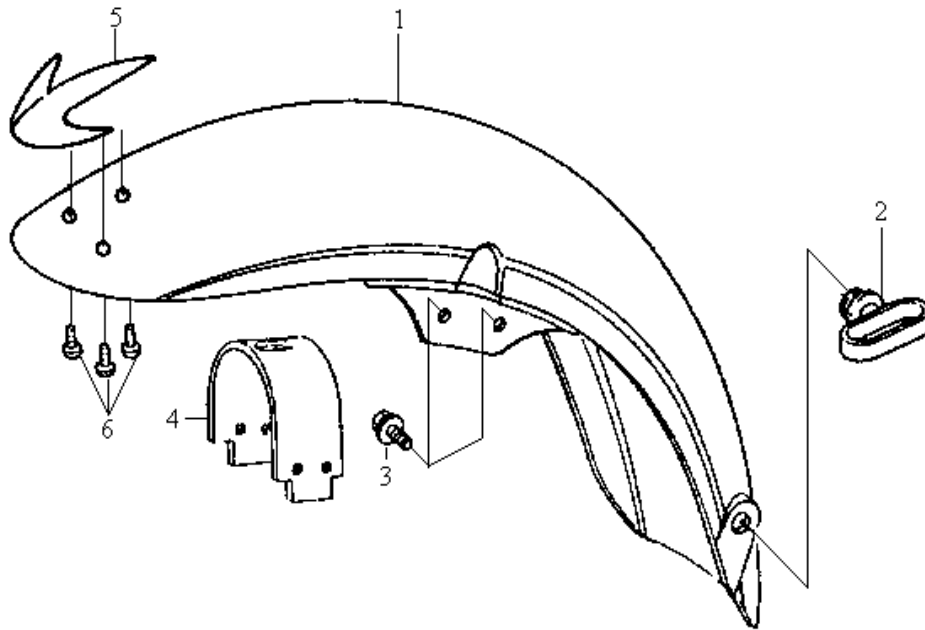
CHANGE  
DATE

A  
P  
P  
L  
Y  
Q  
T  
Y  
R  
E  
Q

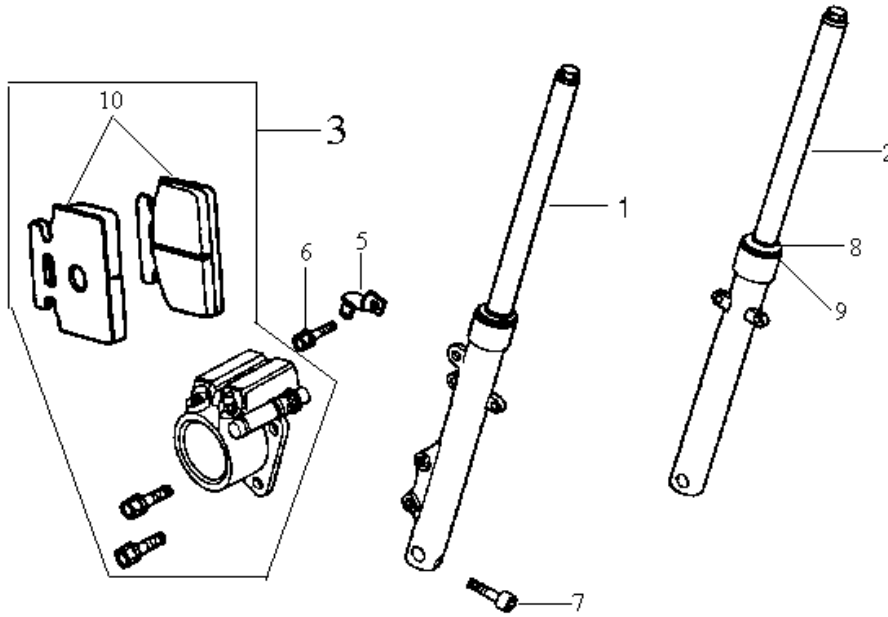
**DESCRIPTION**

**PARTS NUMBER**

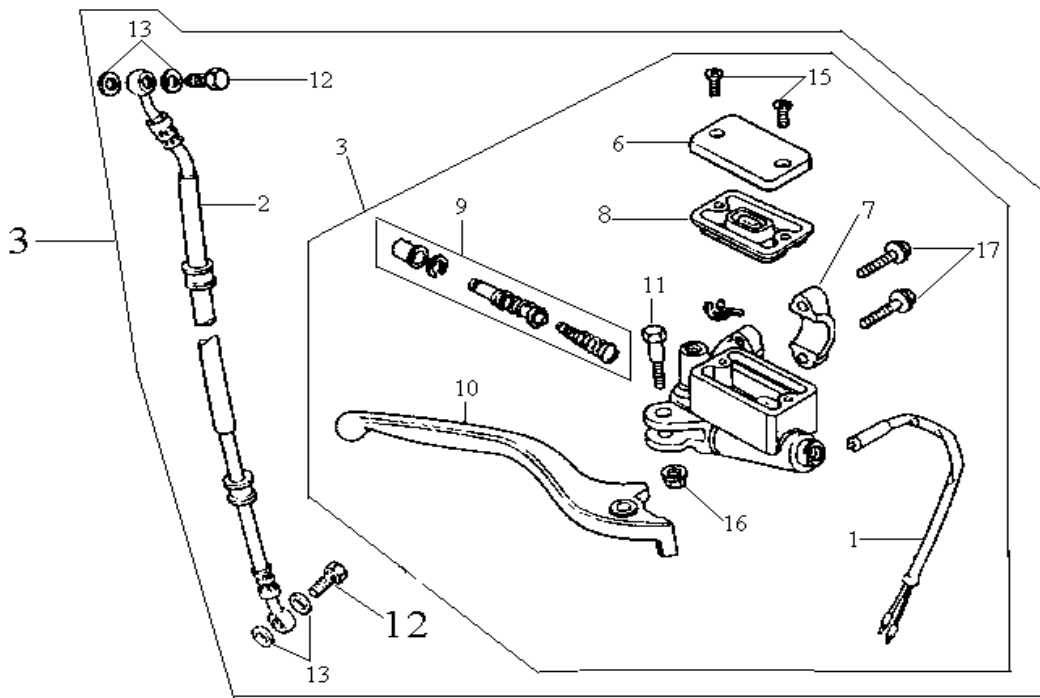
1.Speed meter ass'y	37200-N28-600		1
2.Speed meter rubber	37212-N02-000		2
3.FR. Winker collar	33492-N02-000		2
4.Flange bolt 6;Ñ25	95801-06025-00		2
5.Fork top bridge	53231-N02-000		1
6.Socket bolt 8;Ñ35	96700-08035-00		2
8.Wire box case	61300-N02-000		1
9.Wire box cover	61306-N02-600		1
10.tapping screw 4;Ñ12	93903-34380		4
11.flange bolt 6;Ñ10	95801-06010-00		2
12.Rh.fr.winker saty	33490-N02-000		1
13.Lh.fr.winker stay	33491-N02-000		1
14.Flange bolt 6;Ñ20	95801-06020-00		2
15.Stem streeing nut	90304-159-000		1
16.Stem streeing washer	90503-B06-000		1
17.Handle rubber bush	53107-N02-000		1
20.Speed meter bulb 12V 3.4W	34908-GA7-701		4
21.Speed meter bulb 12V 1.7W	34908-MB9-871		2
22.Speedmeter cable comp.	44830-N28-000		1
23.Speedmeter adjust Screw	37205-N02-000		1



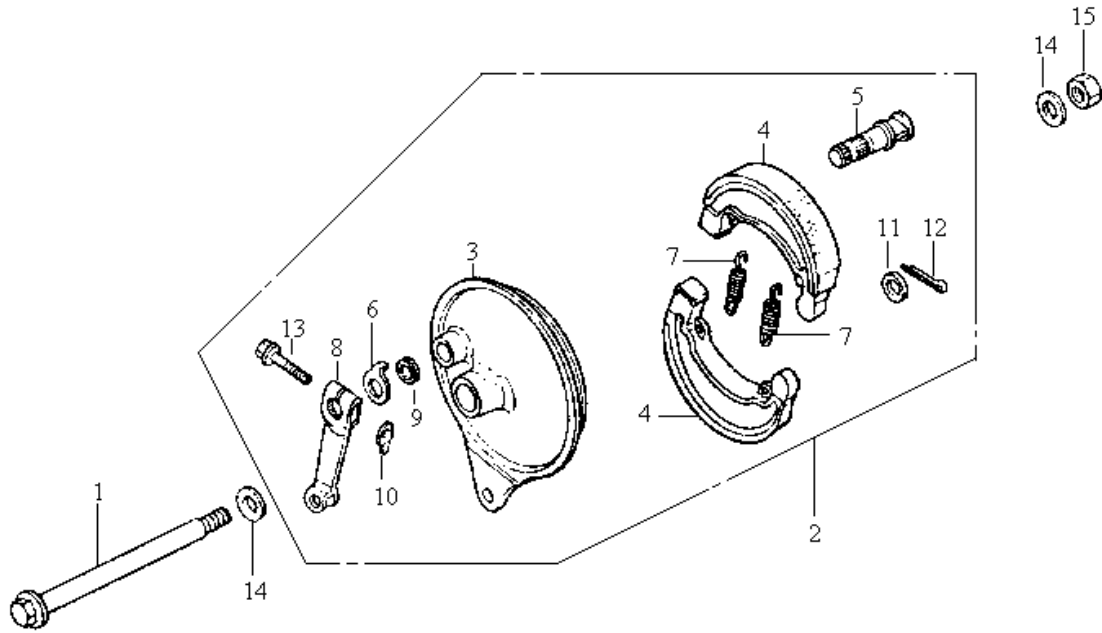
MODEL(S) N125A-6			A P P L Y	Q T Y R E Q
BLOCK NO. A-1		CHANGE DATE		
DESCRIPTION	PARTS NUMBER			
1.Fr.fender comp.	61100-N02-600-PO (PURPLE) 61100-N02-600-KW (BLACK) 61100-N02-600-NT (GREEN)			1
2.Wire grommet	45451-N02-000			1
3.Fr. fender bolt	90103-N02-000			4
4.Fr. fender stay	61101-N02-000			1
5.Fr. fender emblem	61105-N02-600			1
6.Wash screw 4;Ñ10	90102-N02-600			3



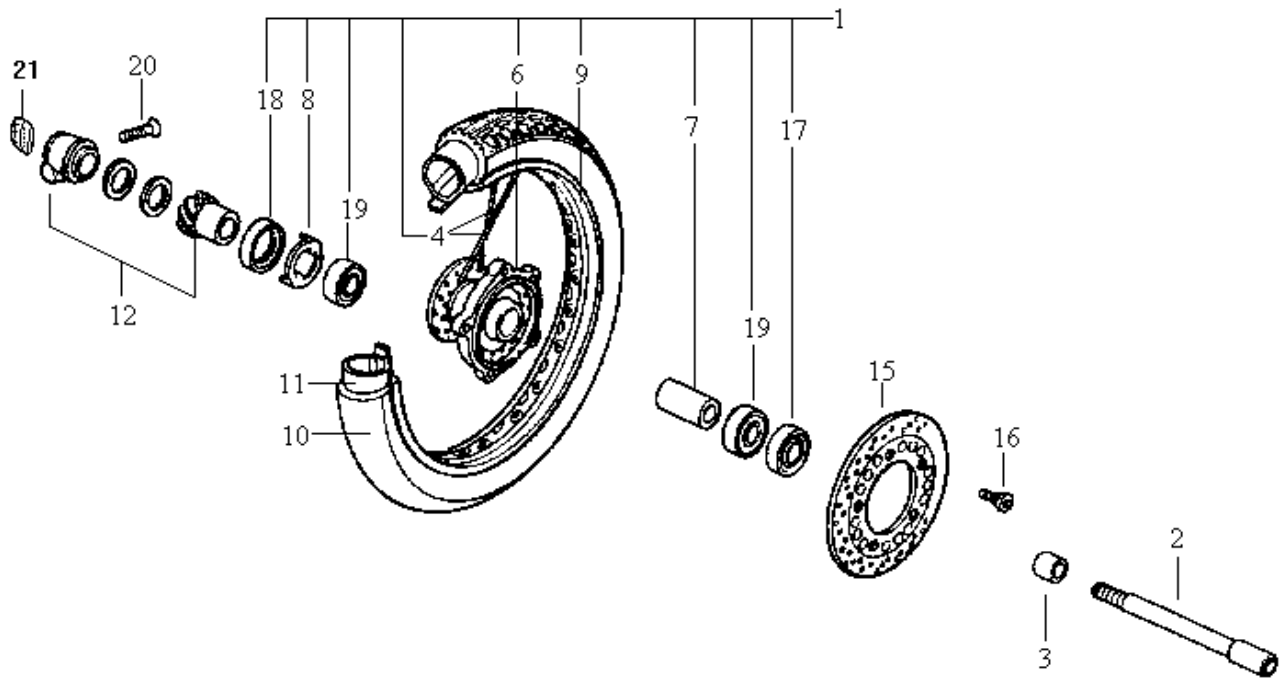
MODEL(S) N125A-6			A P P L Y	Q T Y R E Q
BLOCK NO. A-1		CHANGE DATE		
DESCRIPTION	PARTS NUMBER			
1.Fr. R. fork assy	51400-N02-010			1
2.Fr. L. fork assy	51500-N02-010			1
3.Fr. R. caliper ass'y	45200-N02-000			1
5.Fr. brake hose clamp A	45156-N02-000			1
6.Flange bolt 6;Ñ10	95801-06010-02			1
7.Socket bolt 8;Ñ35	96700-08035-00			1
8.Dust seal	51425-N02-000			2
9.Oil seal 33;Ñ46;Ñ11	91255-413-881			2
10.Pad comp.	45105-N02-001-A			1



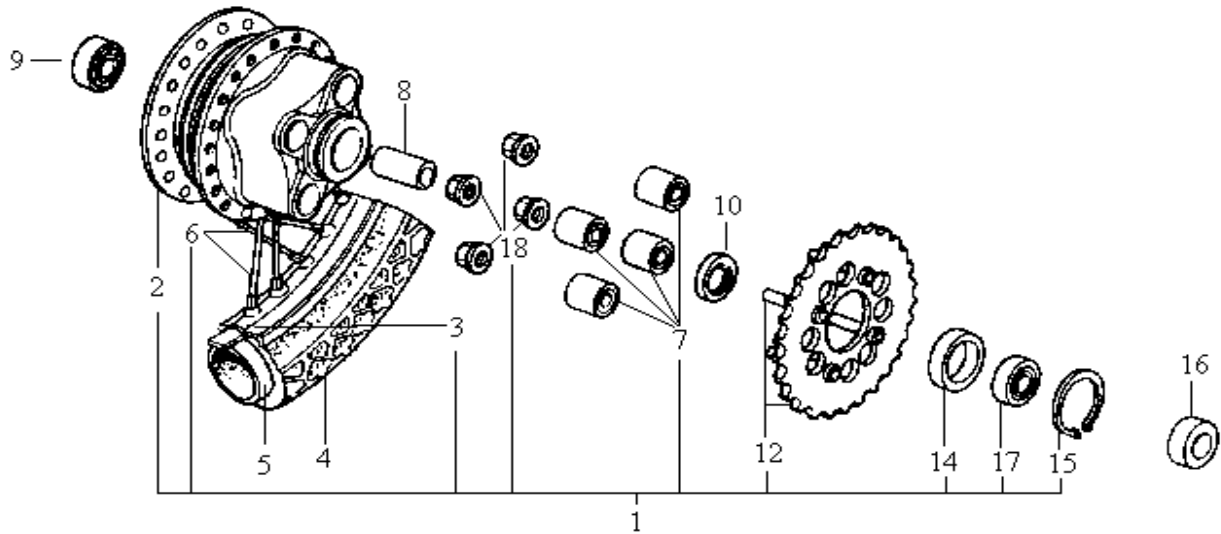
MODEL(S) N125A-6			A P P L Y	Q T Y R E Q
BLOCK NO. A-1		CHANGE DATE		
DESCRIPTION	PARTS NUMBER			
1.FR.brake hose assy	35330-N28-000			1
2.FR. brake hose ass'y	45126-N02-000			1
3.Fr. Breake Assy.	4550A-N28-000			1
6.Oil cup. cap	45513-N02-000			1
7.Master Cylinder Holder	45517-N02-600			1
8.Diaphragm	45520-MG7-006			1
9.Master cylinderset	45530-471-831-P1			1
10.R. steering handle lever	53175-N02-600			1
	53175-N02-000			
11.Handle lever bolt	90114-166-006			1
12.Oil bolt10;Ñ22	90145-MS9-611			2
13.Oil bolt washer	90545-300-000			4
15.flat screw 4;Ñ22	93600-04012-1GF			2
16.Flange nut 6mm	94050-06000			1
17.Flange bolt 6;Ñ25	95801-06025-00			2



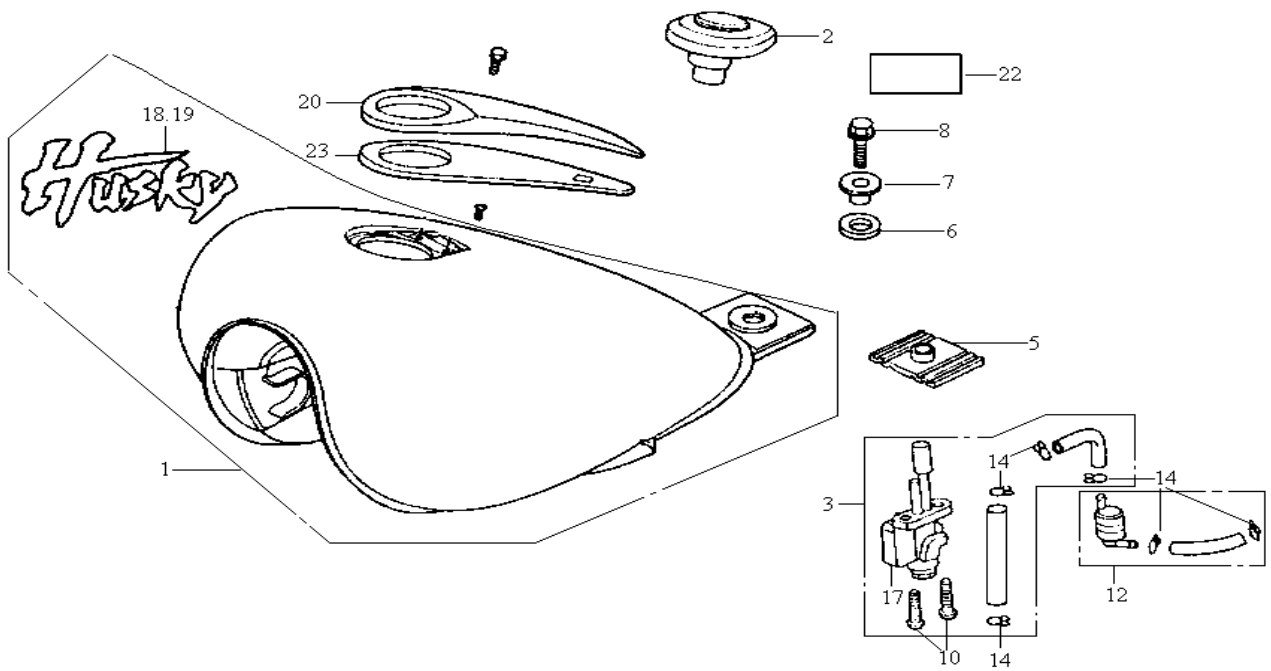
MODEL(S) N125A-6			A P P L Y	Q T Y R E Q
BLOCK NO. A-1		CHANGE DATE		
DESCRIPTION	PARTS NUMBER			
1.Rr. wheel axle	42301-N02-000			1
2.Rr. brake panel assy	43000-N28-000			1
3.Rr. brake panel comp.	43100-N02-000			1
4.Rr. brake shoe comp.	43120-N28-000			2
5.Rr.brake cam	43141-N02-000			1
6.Rr. brake indicator	43145-N02-000			1
7.Rr. brake shoe spring	43151-N01-000			2
8.Rr. brake arm	43410-N02-000			1
9.Rr. brake cam dust seal	45134-250-000			1
10.Rr. brake arm setting nut	45436-N01-000			1
11.Plain washer	94101-08800			1
12.Split pin 2.0;Ñ1.8	94201-20180			1
13.Flange bolt 6;Ñ32	95801-06032-00			1
14.Plain washer 14mm	94101-14000			2
15.U Nut 14mm	90305-GE8-003			1



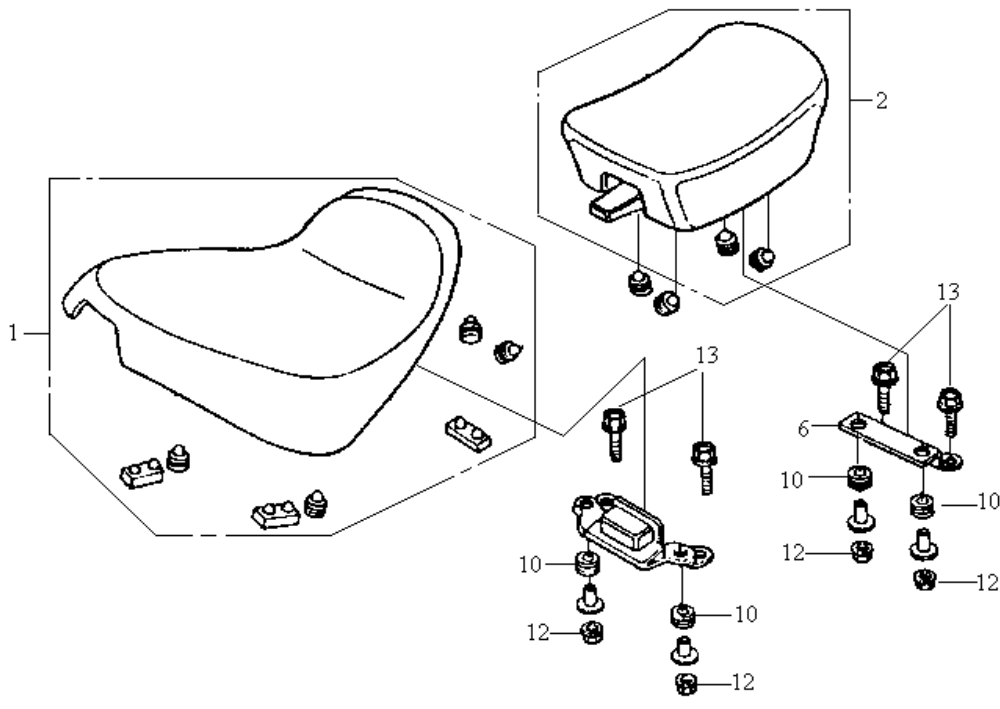
MODEL(S) N125A-6			A P P L Y	Q T Y R E Q
BLOCK NO. A-1		CHANGE DATE		
DESCRIPTION	PARTS NUMBER			Q
1.Fr. wheel assy(Without Tire)	4460A-N02-000			1
2.Fr. wjeel axle	44301-N02-010			1
3.Fr. wheel said collar	44311-N02-010			1
4.Spoke ass'y(Set)	44607-N02-000-A			1
6.Fr.wheel hub	44601-N02-000			1
7.Fr. axle dist. collar	44620-N02-000			1
8.Gear box retainer	44680-410-000			1
9.Fr.wheel rim	44701-N02-000			1
10.Front Tire	42710-N01-000			1
	(1T01909018-4PR)			
11.Front Tube	44712-N01-000			1
	(1T0130018-TR4)			
12.Gear box assy	44800-N09-000			1
15.Fr. brake disk	45121-N02-000			1
16.Fr. dist. bolt	90106-N02-000			5
17.Oil seal 23;Ñ37;Ñ7	91252-030-003			1
18.Dust seal 40;Ñ50;Ñ5	91258-410-013			2
19.Redial ball bearing 6301	96140-63010-10			2
20.Oval screw 5;Ñ16	93700-05016-0A			1
21.Fr. axle nut	90307-X01-000			1



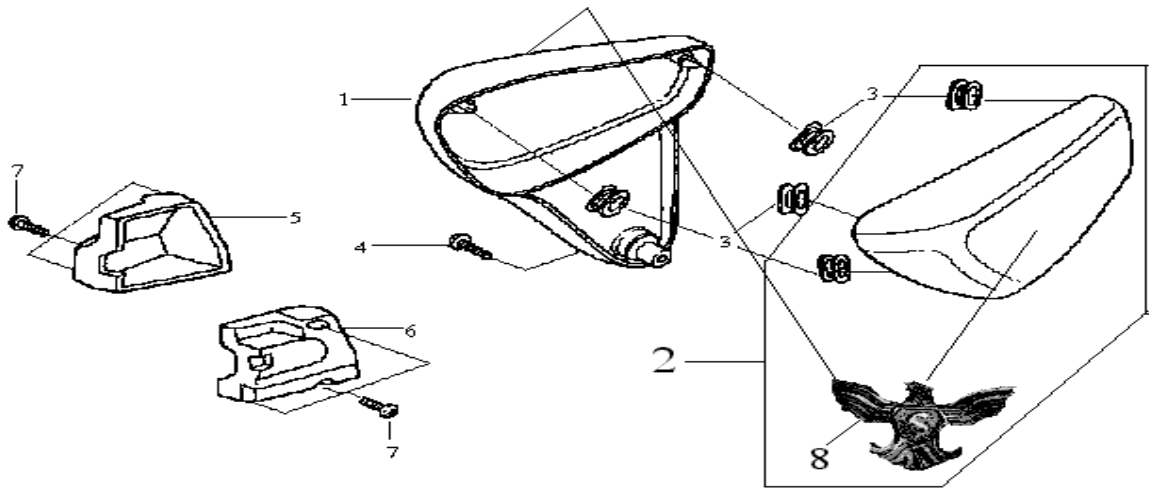
MODEL(S) N125A-6			A P P L Y	Q T Y R E Q
BLOCK NO. A-1		CHANGE DATE		
DESCRIPTION	PARTS NUMBER			
1.Rear wheel ass'y	4260A-N02-000			1
2.Rr. wheel hub comp.	42601-N02-000			1
3.Rr. wheel rim	42701-N02-000			1
4.Rear Tire	42710-N02-000			1
5.Rear Tube	(1T011308015-4PR)			
6.Spoke ass'y	42712-N02-000			1
7.Wheel runner bush	(1T011308015-TR4)			
8.Rr. wheel dist. collar	42607-N02-000-A			1
9.Radial ball bearing 6302	41241-307-010			4
10.Oil sea	42620-N02-000			1
12.Final driven sprkt. comp.	96140-63020-10			2
14.Final sprkt. sleeve	91252-230-003			1
15.Ex. circlip 56	41200-N02-000			1
16.Rr. wheel side collar	42605-N02-300			1
17.Sprocket washer	42606-N02-000			1
18.Rr. hub. inner nut	42304-N02-000			1
	42604-N02-000			1
	42602-N02-000			4



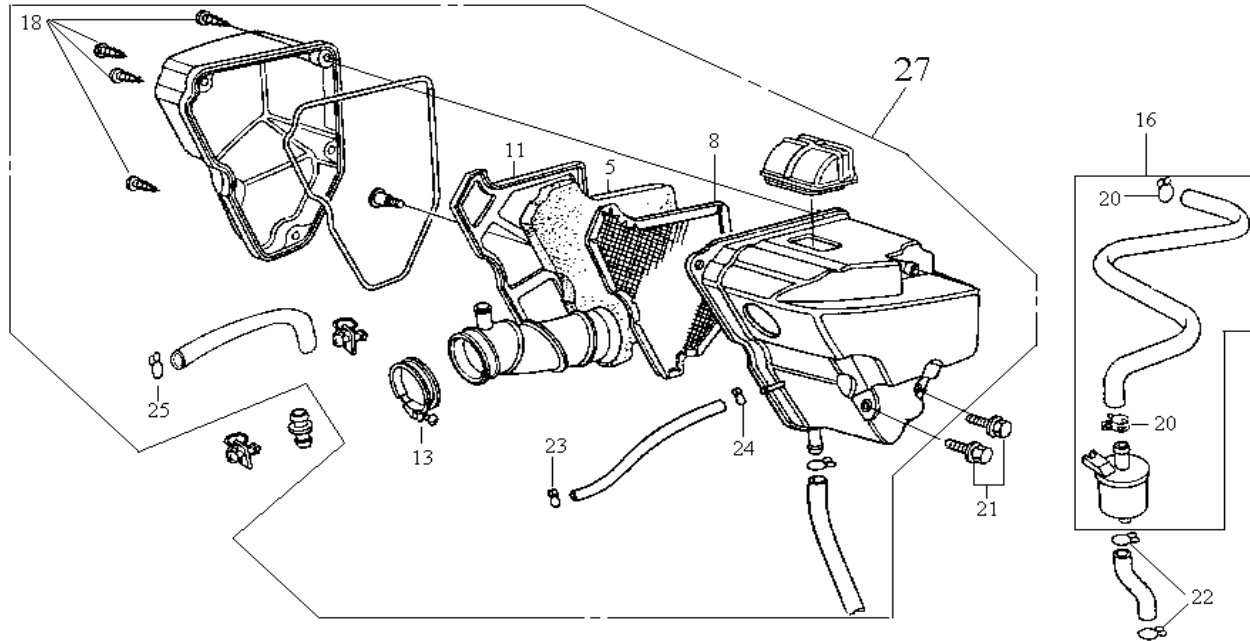
MODEL(S) N125A-6			A P P L Y	Q T Y R E Q
BLOCK NO. A-1		CHANGE DATE		
DESCRIPTION	PARTS NUMBER			
1.Fuel tank set. (P-2014S)	1750B-N28-010-PO			1
Fuel tank set. (GN-4940S)	1750B-N28-010-RT			1
Fuel tank set. (BK-0405S)	1750B-N28-010-KW			1
2.Fuel filler cap comp.	17620-N02-010			1
3.Fuel cock set	1695B-N28-000			1
5.Tank cushion	17613-N02-000			1
6.Fuel tank center rubber	17526-KC5-000			1
7.Fuel tank collar	17614-N02-000			1
8.Flange bolt 8;Ñ32	95801-08032-00			1
10.Flange screw 5;Ñ14	9011A-N13-000			2
12.Fuel strainer ass'y	1690A-N02-000			1
14.Tube clip B8	95002-02080			6
17.Auto cock packing	17577-N13-000			1
18.R.tank emblem	87123-N02-600			1
19.L.tank emblem	87124-N02-600			1
20.Tank up emblem	87125-N02-600			1
22.Fuel tank mark	87132-N02-600			1
23.Gasket for Tank up emblem	87122-N02-600			1



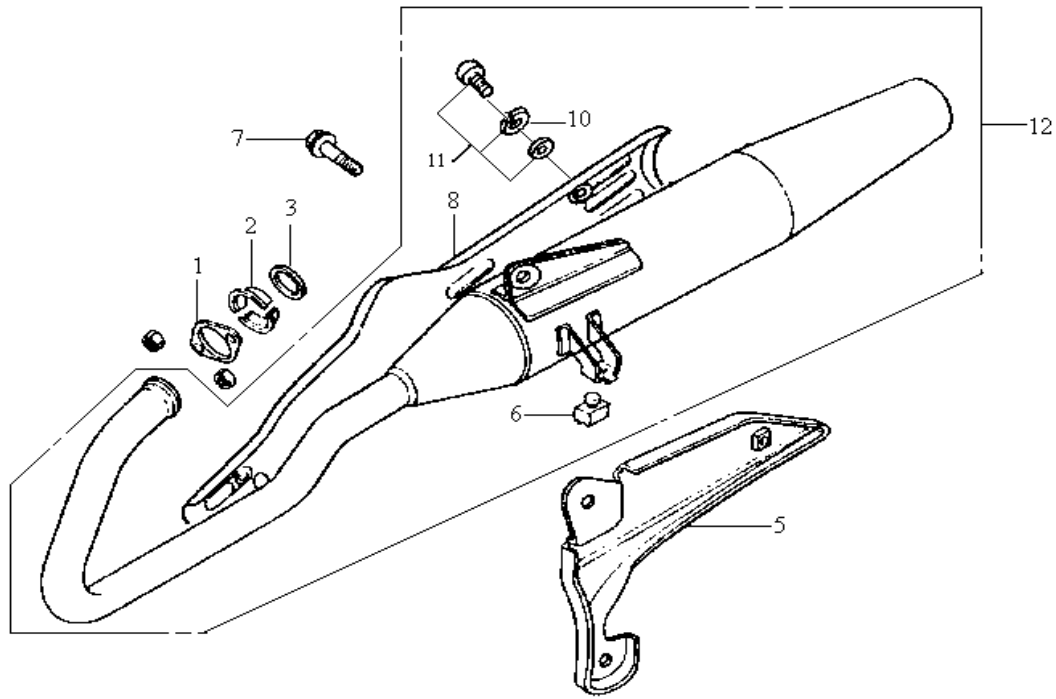
MODEL(S) N125A-6			A P P L Y	Q T Y R E Q
BLOCK NO. A-1		CHANGE DATE		
<b>DESCRIPTION</b>	<b>PARTS NUMBER</b>			
1.FR.seat ass'y	7710A-N02-600			1
2.RR.seat ass'y	7730A-N02-600			1
6.RR.seat stay	77203-N02-000			1
10.A/C case mount rubber	17245-107-010			4
12.Flange nut 6mm	94050-06000			4
13.Flange bolt 6jÑ12	95801-06012-00			4



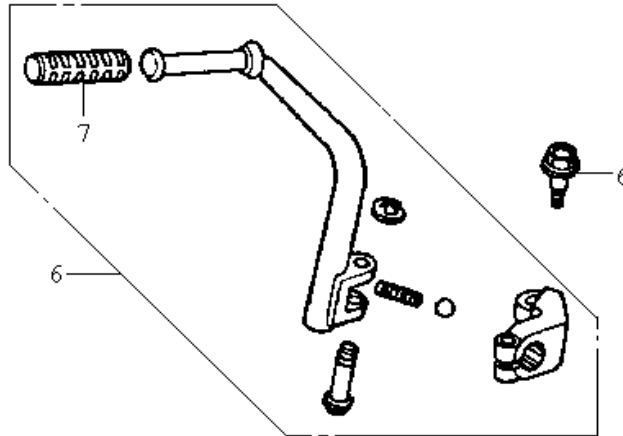
MODEL(S) N125A-6			A P P L Y	Q T Y R E Q
BLOCK NO. A-1		CHANGE DATE		
DESCRIPTION	PARTS NUMBER			
1.R. side cover ass'y (BK-0405S)	8360A-N28-010-KW			1
R. side cover ass'y (GN-4940S)	8360A-N28-010-RT			1
R. side cover ass'y (P-2014S)	8360A-N28-010-PO			1
2.L. side cover ass'y (BK-0405S)	8370A-M52-010-KW			1
L. side cover ass'y (GN-4940S)	8370A-N02-010-NT			1
L. side cover ass'y (P-2014S)	8370A-M52-010-PO			1
3.A/C grommet	83551-B04-000			5
4.Side cover set bolt	90112-KK3-830			1
5.R.carb.cover	87126-N02-600			1
6.L.carb.cover	87127-N02-600			1
7.Carb. cover bolt 6;Ñ10	90116-N02-600			6
8. R/L Side cover emblem	83543-N02-000			2



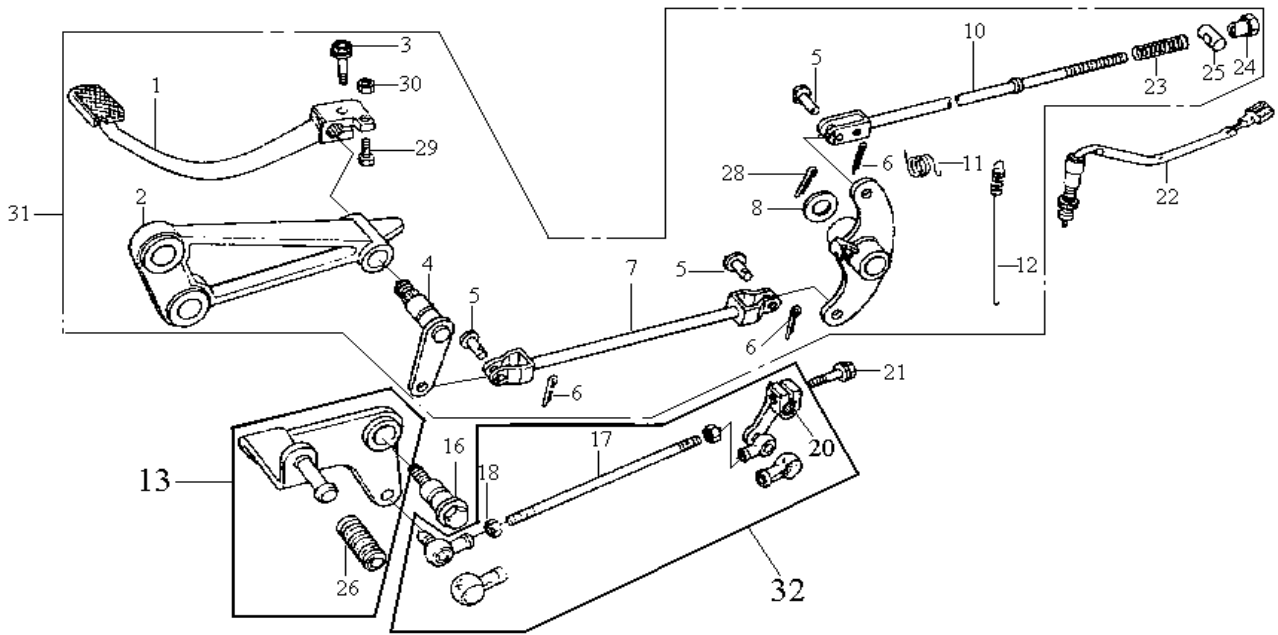
MODEL(S) N125A-6			<b>A P P L Y</b>	<b>Q T Y R E Q</b>
BLOCK NO. A-1		<b>CHANGE DATE</b>		
<b>DESCRIPTION</b>	<b>PARTS NUMBER</b>			
5.Air cleaner element	17211-N02-000			1
8.Trap comp.	17221-N02-000			1
11.Element set plate	17231-N02-000			1
13.A/C connecting tube band	17255-A08-000			1
16.Breather chamber ass'y	1738A-N02-000			1
18.Tapping screw	93903-25480			5
20.Tube-clamp 12.5	95002-41250-08			2
21.Flange bolt M6;Ñ12	95801-06012-00			2
22.Tube clip	90602-KJ9-670			2
23.Tube clip B7	95002-02070			1
24.Tube clip C9	95002-50000			1
25.Breather tube clip	15772-500-013			1
27.Air clean ass'y	17200-N02-000			1



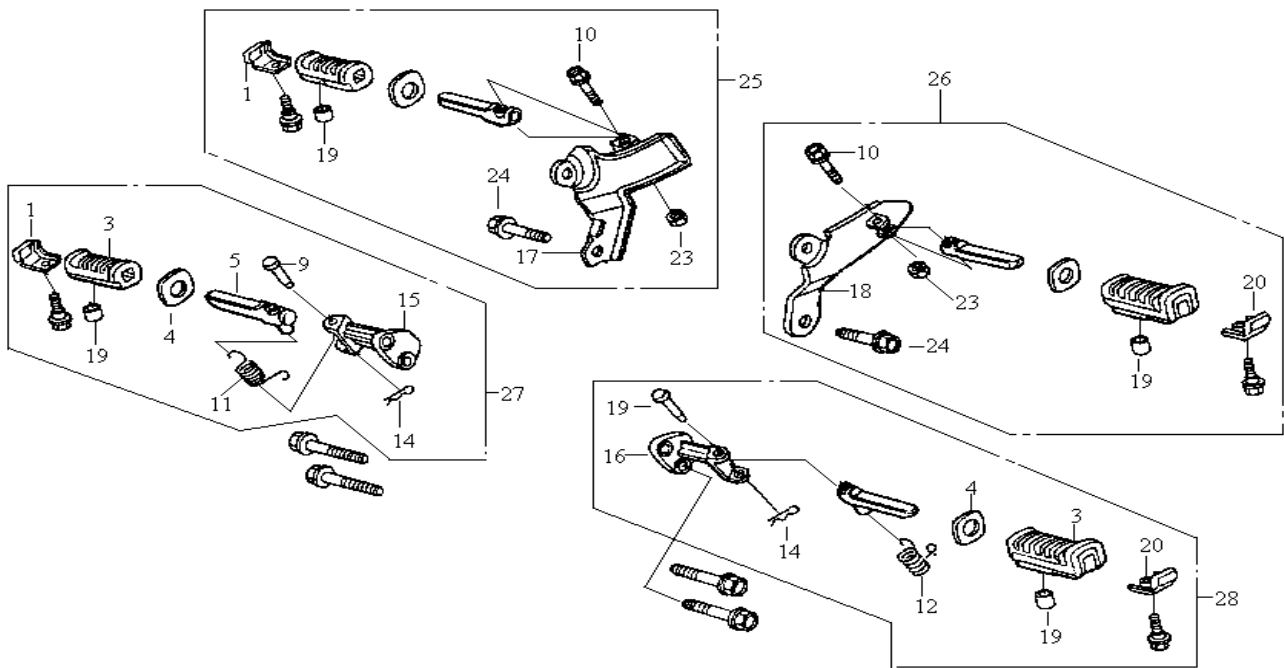
MODEL(S) N125A-6			A P P L Y	Q T Y R E Q
BLOCK NO. A-1		CHANGE DATE		
DESCRIPTION	PARTS NUMBER			
1.Exhaust pipe joint	18231-B04-000			1
2.Exhaust pipe joint collar	18233-N01-000			1
3.Exhaust pipe gasket	18291-N28-000			1
5.Cover rh. lower	18325-N02-000			1
6.Main stand stopper rubber	50524-397-000			1
7.Flange bolt M 8;Ñ25	95701-08025-00			1
8.Muffler protector	18318-N02-000			1
10.Spring washer 6mm	94111-06000			3
11.Special bolt 6;Ñ10	90116-N02-600			3
12.Muffler ass'y	1830A-N02-010			1



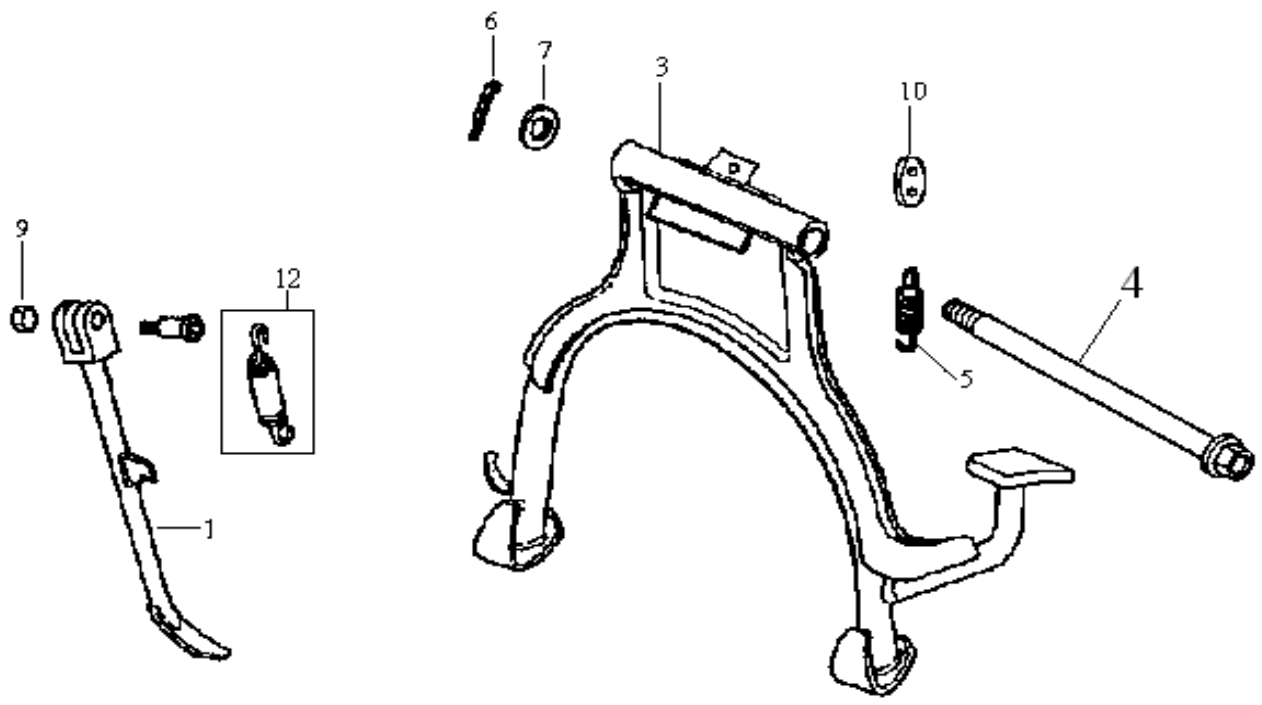
MODEL(S) N125A-6			A P P L Y	Q T Y R E Q
BLOCK NO. A-1		CHANGE DATE		
DESCRIPTION	PARTS NUMBER			
1.Kick starter ass'y	28300-N02-000			1
6.Flange bolt 8;Ñ25	95701-08025-00			1
7.Kick starter rubber	28311-N01-000			1



MODEL(S)		CHANGE DATE	A P P L Y	Q T R Y Q
N125A-6	BLOCK NO. A-1			
DESCRIPTION	PARTS NUMBER			
1.RR. brake pedal	46500-N02-010			1
<b>2.RR. brake pivot brkt.</b>	<b>46510-N02-010</b>			1
3.Flange bolt 8;Ñ30	95701-08030-00			1
4.RR.brake pivot shaft comp.	46515-N02-010			1
5.Brake rod joint pin	43471-N02-000			3
6.Split pin 1.6;Ñ15	94201-16150-0A			3
7.RR. brake link A	43452-N02-000			1
8.RR.brake midde arm washer	46516-N02-000			1
9.RR. brake middle arm comp.	46518-N02-000			1
10.RR. brake rod	43451-N02-000			1
11.Brake arm spring	43435-N02-000			1
12.RR. brake switch spring	35357-N02-000			1
13.Gear change pedal	24701-N02-000			1
16.Gear change bolt	24702-N02-000			1
17.Tie rod bolt	90065-N02-000			1
18.Nut 6 mm	90201-KE8-000			1
20.Gear change arm	24711-N02-000			1
21.Flange bolt 6;Ñ20	95801-06020-00			1
22.RR. stop switch ass'y	35350-324-880			1
23.Brake rod spring A	95014-73100			1
24.Adjusting not B	95015-42000			1
25.Brake arm joint B	95015-32001			1
26.Chng. pedal rubber	24781-N02-000			1
28.Split pin 3.0;Ñ50	94201-30350			1
29.Hex bolt 6;Ñ25	92201-06025-0G			1
30.Hex nut	94001-06070-0S			1



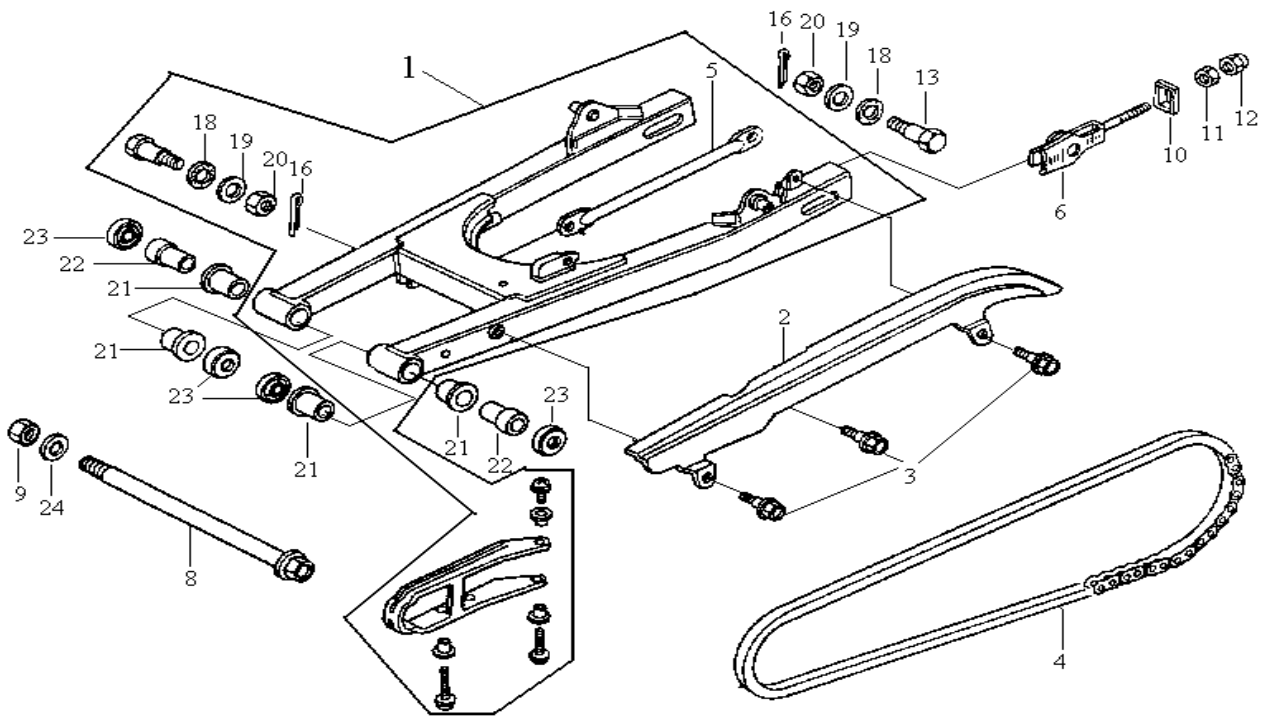
MODEL(S) N125A-6			A P P L Y	Q T Y R E Q
BLOCK NO. A-1	CHANGE DATE			
DESCRIPTION	PARTS NUMBER			
1.Step rubber stopper	50819-N01-000			2
3.Pillion step rubber	50661-N02-000			2
4.Pillion step washer	50714-N02-000			2
5.R.FR. step bar	50616-N02-000			1
6.L.FR. step bar	50617-N02-000			1
9.FR. step bar joint pin	50603-N02-000			2
10.Step bolt	90187-S08-000			2
11.R. step return spring	50634-N02-000			1
12.L. step return spring	50644-N02-000			1
14.Spilt pin	94201-25300-0A			2
15.R. FR. step holder	50613-N02-000			1
16.L. FR. step holder	50713-N02-000			1
17.RH. lower cover	18325-N02-000			1
18.LH. lower cover	18425-N02-000			1
19.Collar 6.5	50618-N01-000			1
20.Step rubber stopper	50829-N01-000			2
23.Hex nut 6mm	94001-06070-0S			1
24.Flange bolt	95801-10016-00			2
25.R. lower cover assy.	1832B-N02-000			1
26.L. lower cover assy.	1842B-N02-000			1
27.R. FR. step bar assy.	50630-N02-000			1
28.L. FR. step bar assy.	50640-N02-000			1



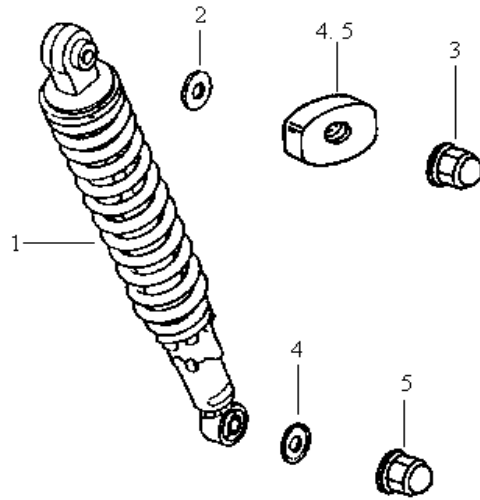
MODEL(S) N125A-6			A P P L Y	Q T Y R E Q
BLOCK NO. A-1		CHANGE DATE		
DESCRIPTION	PARTS NUMBER			
1.Side stand bar comp.	50530-N02-000			1
3.Main stand comp.	50500-N28-000			1
4.Main stand pivot pipe	50526-N28-000			1
5.Main stand spring	50523-N01-010			1
6.Split pin 2.5;N30	94201-25300-0A			1
7.Washer 17;N22	90521-028-000			1
9.Hex nut 10mm	94002-10070-0S			1
10.Main stand spring hook	50522-N02-000			1
12.Side stand spring assy.	5053A-N28-000			1

# Rear Fork . Drive Chain

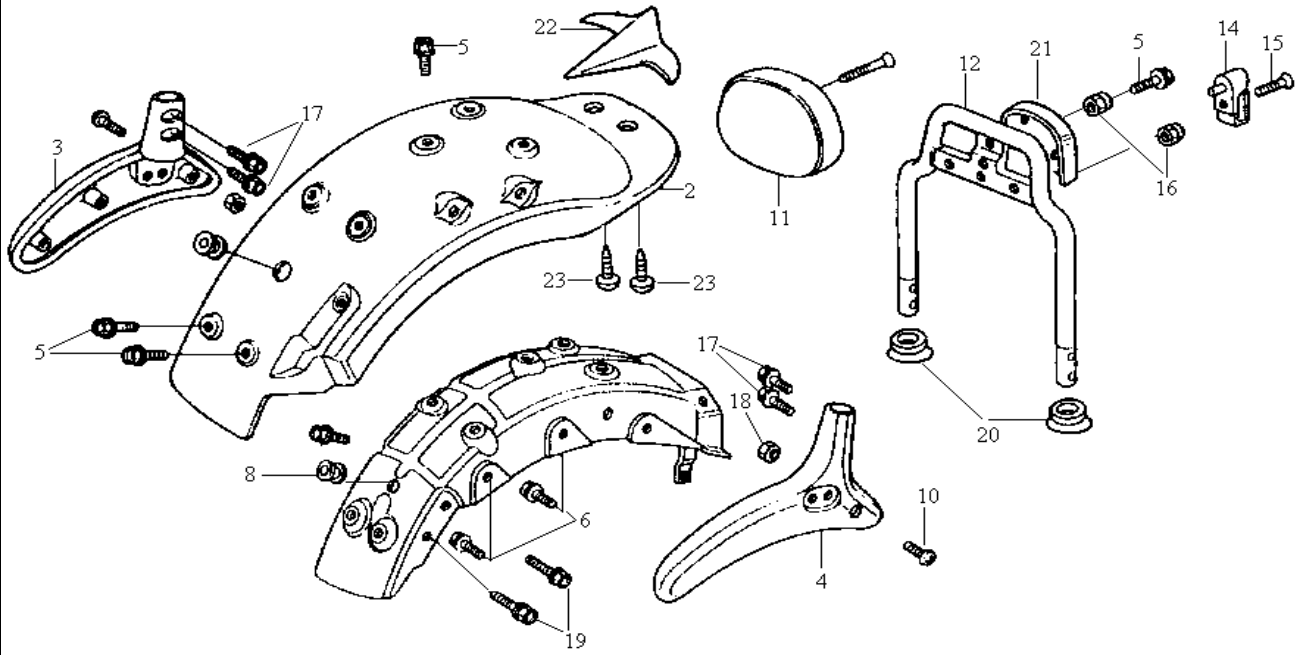
F-21



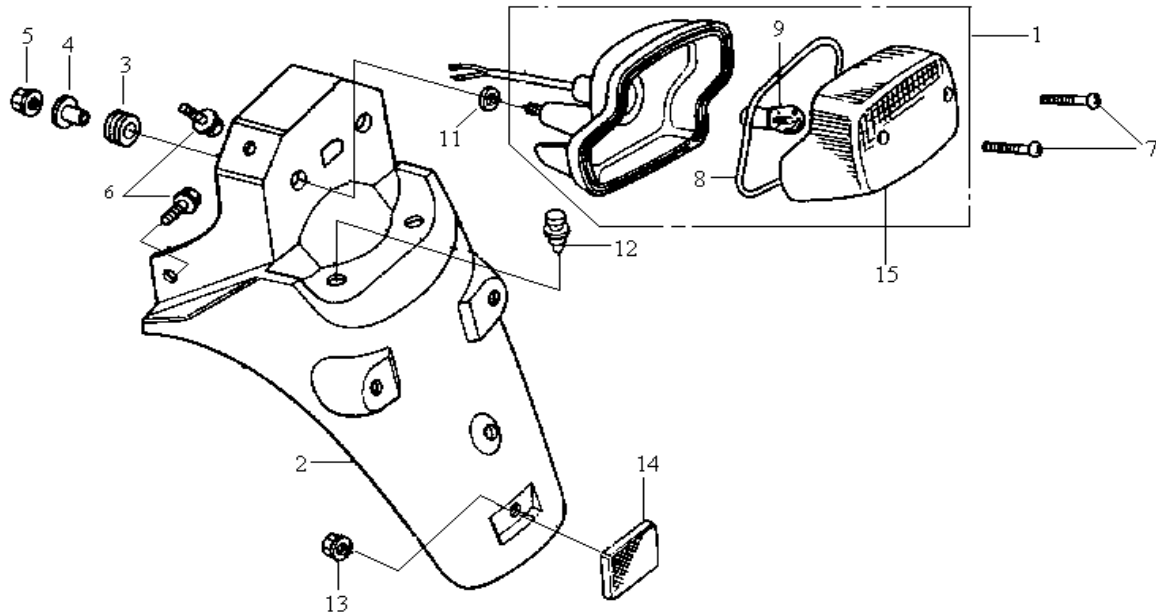
MODEL(S)			A	Q
N125A-6			P	T
	BLOCK NO. A-1	CHANGE DATE	P	R
			L	E
			Y	Q
DESCRIPTION	PARTS NUMBER			
1.RR.fork comp.	5210A-N02-020			1
2.Drive chain case	40510-N02-010			1
3.Flange bolt 6;Ñ10	95801-06010-00			3
4.Drive chain 428VC2;Ñ126	1C4014626			1
5.RR.Brake stopper arm	43431-N02-000			1
6.Chain adjuster	40543-N01-000			2
8.RR.fork pivot bolt	90121-N02-000			1
9.U nut 14mm	90305-GE8-003			1
10.RR.fork end cap	40546-N02-000			2
11.Flange nut 6mm	94050-06000			2
12.Hex nut 6mm	94001-06000-0S			2
13.RR.fork torque bolt	90127-B08-000			1
16.Split pin 2.0;Ñ15	94201-20150			2
18.Plain washer 10mm	94111-10000			2
19.Plain washer 8mm	94101-08800			2
20.Hex nut 8mm	94030-08000			2
21.RR.fork oiles	52506-N02-000			4
22.RR.fork sleeve	52505-N02-000			2
23.RR.fork dust seal	52507-N02-000			4
24.Plain washer 14mm	94101-14000			1



MODEL(S) N125A-6			A P P L Y	Q T Y R E Q
BLOCK NO. A-1		CHANGE DATE		
DESCRIPTION	PARTS NUMBER			
1.RR. cushion ass'y	52400-N02-000			2
	52400-N28-000	980401	Yes	2
2.RR. cushion washer B	90528-N02-000			4
3.Cap nut 8mm	94021-08020-0S			4
4.R.RR. cushion cover	83510-N02-600			1
5.L.RR. cushion cover	83520-N02-600			1



MODEL(S) N125A-6			A P P L Y	Q T Y R E Q
BLOCK NO. A-1		CHANGE DATE		
DESCRIPTION	PARTS NUMBER			Q
1.Sub. frame comp.	80200-N02-000			1
2.Rr.fender comp.	80100-N02-600-KW			1
3.Rh.grab rail brkt	84100-N02-000			1
4.Lh.grab rail brkt	84200-N02-000			1
5.Flange bolt 6;Ñ12	95801-06012-00			4
6.Flange bolt 8;Ñ14	95801-08014-00			4
8.Sub frame grommet	80202-N02-000			1
9.RR.fender grommet	80102-N02-000			1
10.Tail grab bolt 8;Ñ44	90117-N02-000			2
11.Back seat comp.	77400-N28-000			1
12.Tail grab bar	77401-N02-600			1
14.Helmet lock ass'y	64340-S08-0000WT			1
15.Pan screw 6;Ñ20	93500-06020-0A			1
16.Hex cap nut 6mm	94021-06020-0S			2
17.Flange bolt 6;Ñ20	95801-06020-00			4
18.Flange nut 8mm	94050-08080			2
19.Flange bolt 10;Ñ16	95801-10016-00			4
20.Tail bar rubber	77402-N02-000			2
21.Tail grab bar cover	77405-N02-600			1
22.RR.fender emblem	80107-N02-600			1
23.Tapping screw 4;Ñ12	93894-04010-08			2



MODEL(S)  
N125A-6

BLOCK NO. A-1

CHANGE  
DATE

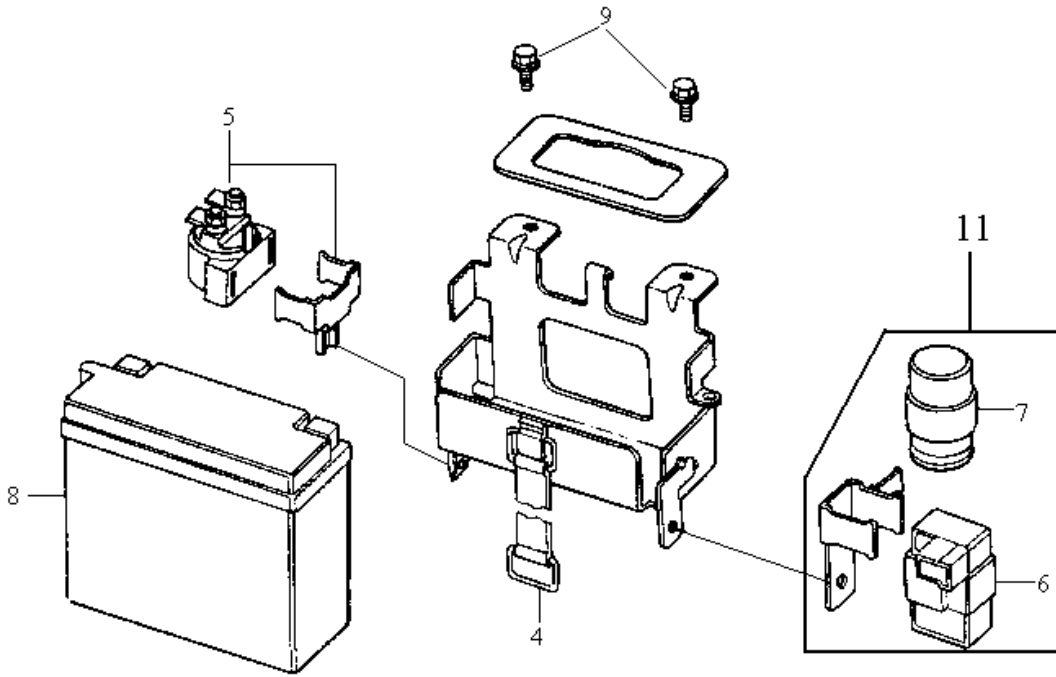
A  
P  
P  
L  
Y

Q  
T  
Y  
R  
E  
Q

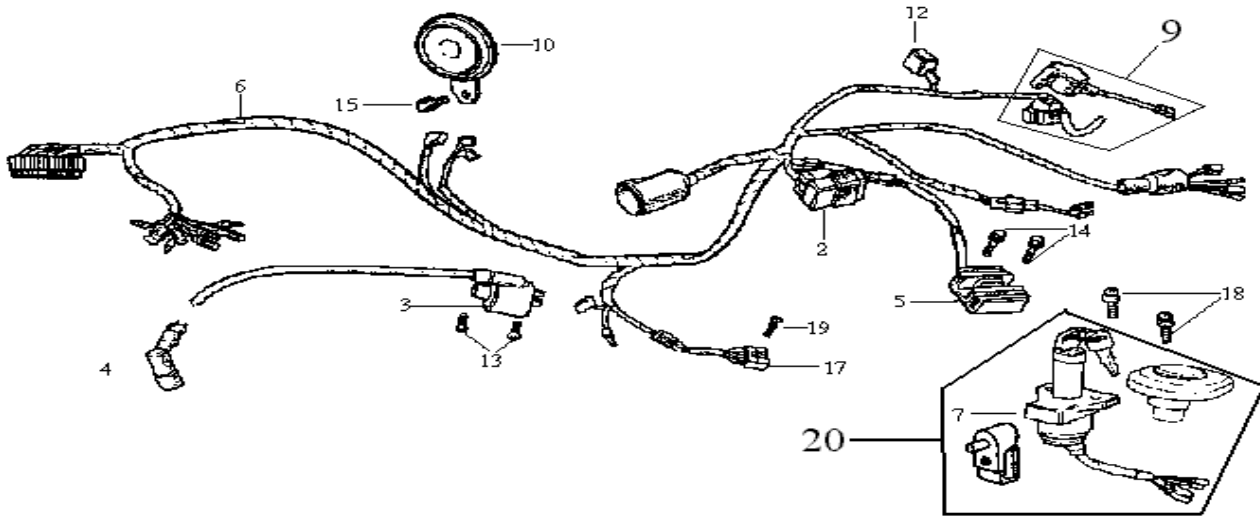
**DESCRIPTION**

**PARTS NUMBER**

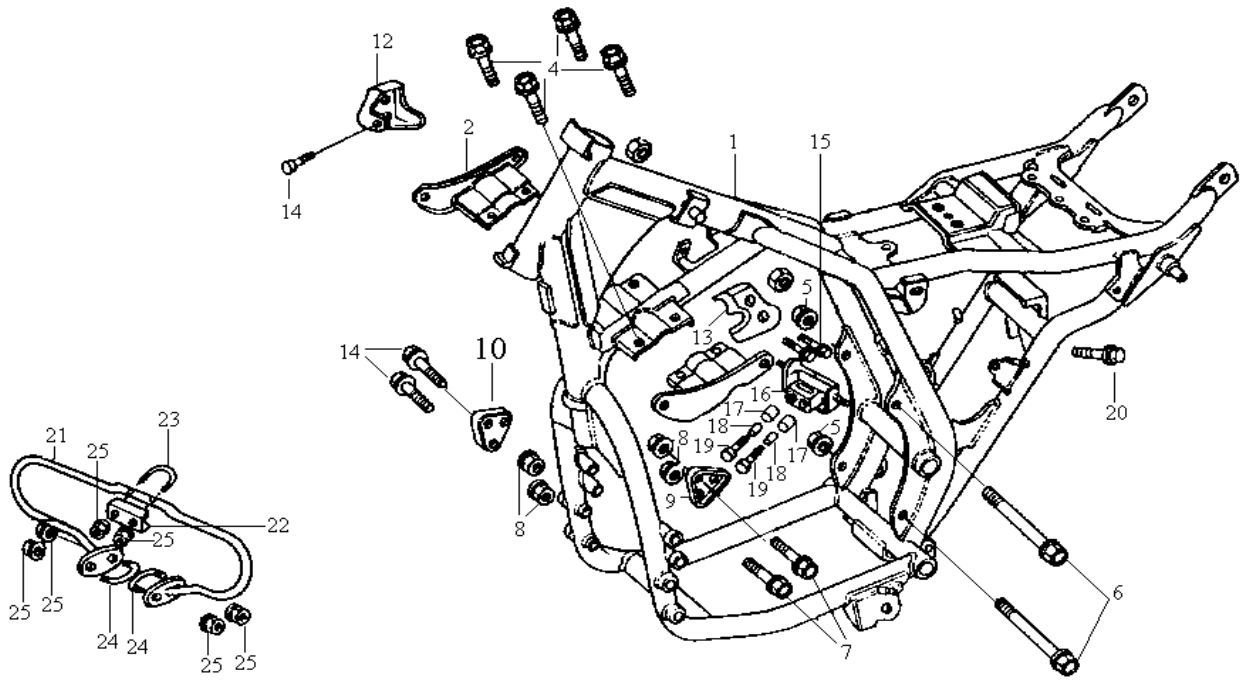
1.Tail light ass'y	33700-N28-000		1
2.Number plate	84701-N28-000		1
3.Tail light grommet	80103-X01-000		2
4.Tail light setting collar	33710-N01-000		2
5.Flange nut 6mm	94050-06000		2
6.Cpecial bolt 6mm	90111-N01-000		4
7.Tapping screw 4 <sub>i</sub> N30	93901-34720		2
8.Tail light seal	33702-N02-000		1
9.Tail light bulb	34906-B06-000		1
11.Plain washer 6mm	94103-06800		2
12.Number plate rubber	84703-N02-000		2
13.Flange nut 5mm	94050-05000		1
14.Reflex reflector	33741-G03-000		1
15.Tail light lens	33702-N28-000		1



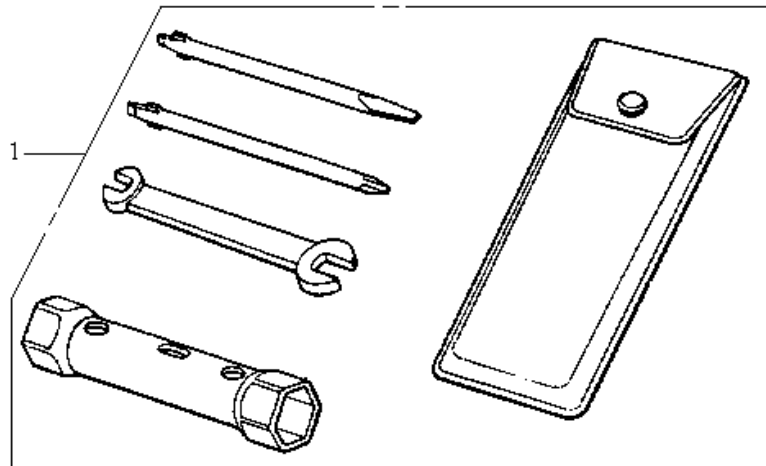
MODEL(S) N125A-6			A P P L Y	Q T Y R E Q
BLOCK NO. A-1		CHANGE DATE		
DESCRIPTION	PARTS NUMBER			
4. Battery band	50324-N02-000			1
5. Start mag. sw. comp.	3580A-N28-000			1
6. C.D.I. ass'y	30400-S07-000			1
7. Winker relay ass'y	38300-N28-000			1
8. Battery ass'y (maintenance free) (YTX7L-BS)	31500-N02-000 (1Y01N0201-Y)			1
Battery ass'y (storage) (12N7A-3A)	31500-KG7-008 (1Y01S0701-Y)			1
9. Flange bolt 6;Ñ10	95801-06010-00			4
11. C.D.I. & winker relay ass'y	3042A-N28-000			1



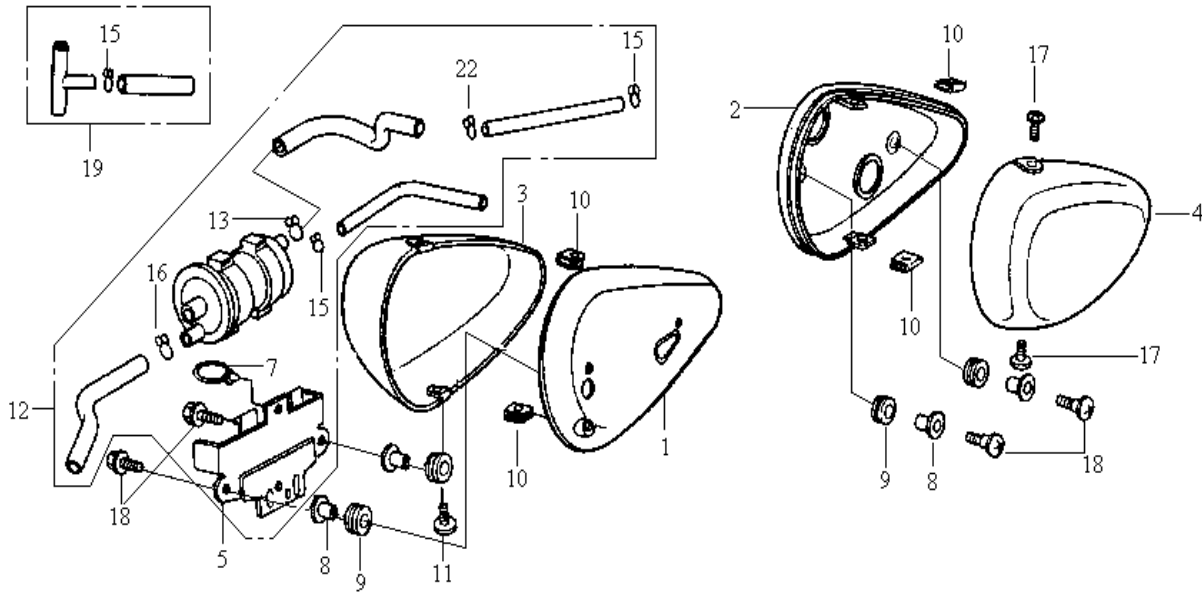
MODEL(S) N125A-6			A P P L Y	Q T Y R E Q
BLOCK NO. A-1		CHANGE DATE		
DESCRIPTION	PARTS NUMBER			Q
2.C.D.I. & Winker relay set	3042A-N02-000			1
3.Ignition coll comp.	30500-N02-000			1
4.Noise supperssor cap ass'y	30700-A08-000			1
5.Regulator rectifier comp.	31600-N28-000			1
6.Wire harness	32100-N28-000			1
7.Key set	35100-N28-000			1
9.Starter magnetic switch cover	3585A-S02-0000			1
10.Horn ass'y	38100-G03-000			1
11.Fuse case	32121-196-003			1
12.Winker relay ass'y	38300-N28-000			2
13.Pan screw 5;Ñ20	93500-05020-0H			1
14.Flange bolt 6;Ñ14	95801-06014-00			1
15.Flange bolt 6;Ñ10	95801-06010-00			1
16.Fues 15A	98200-11500			1
17.Silicon rectifier comp.	31700-M46-000			2
18.Sock bolt 8;Ñ16	90082-N01-000			1
19.Flange bolt 6;Ñ20	95801-06020-00			1
20.Key set assy	3510A-N28-000			1



MODEL(S) N125A-6			A P P L Y	Q T Y R E Q
BLOCK NO. A-1		CHANGE DATE		
DESCRIPTION	PARTS NUMBER			Q
1.Frame body comp.	50100-N28-010			1
2.FR.R.side cover stay	82103-N02-000			1
3.FR.L.side cover stay	82203-N02-000			1
4.Flange bolt 6x10	95801-06010-00			4
5.Flange nut 10mm	94050-10000			3
6.Flange bolt 6x132	95801-10132-00			2
7.Socket bolt 8x50	96700-08050-00			4
8.Flange nut 8mm	94050-08000			4
9.L.FR.ENG. hanger	50353-N02-000			1
L.FR.ENG. hanger	50353-N02-600			1
10.R.FR.ENG. hanger	50355-N02-600			2
12.R.main pipe cover	87128-N02-600			1
13.L.main pipe cover	87129-N02-600			1
14.Main pipe cover screw B	90165-N02-600			2
17.Carb.cover stay	87131-N02-600			2
18.Tail light steg.collar	33710-N01-000			2
19.Flange bolt 6x22	95701-06022-07			2
20.Flange bolt 6mm	90111-GJ5-000			1
21.FR.mumper comp.	62510-M52-000			1
22.FR.mumper collar	62511-M52-000			1
23.U bolt A	62512-M52-000			1
24.U bolt B	62513-M52-000			2
25.Flange nut 6mm	94050-06000			6



MODEL(S) N125A-6			A P P L Y	Q T Y R E Q
BLOCK NO. A-1	PARTS NUMBER	CHANGE DATE		
1.Tool ass'y	89010-M51-000			1



MODEL(S)  
N125A-6

BLOCK NO. A-1

CHANGE  
DATE

A  
P  
P  
L  
Y

Q  
T  
Y  
R  
E  
Q

**DESCRIPTION**

**PARTS NUMBER**

1.Rh.fr.side cover base	82101-N02-000		1
2.Lh.fr.side cover base	82201-N02-000		1
3.Rh.fr.side cover lide	82100-N02-000		1
4.Lh.fr.side cover lide	82200-N02-000		1
5.Canister stay	82102-N02-000		1
7.Tool box o fint	83401-X01-000		1
8.Tail light setting collar	33710-N01-000		4
9.Tail light setting bubber	33709-N01-000		4
10.Clip nut 6mm	90305-GK8-000		4
11.Special screw 6jÑ17	90112-N02-000		4
12.Canister (P.V.C.) ass'y	1755A-N02-000		1
13.Tube clip B10	95002-02100		1
15.Tube clip B7	95002-02070		1
16.Breather tube clip	15772-500-013		1
18.Flange bolt 6jÑ25	95801-06025-00		4
19.Rh.joint tube ass'y	16210-N02-000		1
22.Tube clip B8	95002-02080		2