

Sym
Jet 100

07-0000

MODEL: G100P-9

PARTS NO. INDEX

1999.

PARTS NO.	NO.	PARTS NO.	NO.	PARTS NO.	NO.
11000		17205-KBN-900	F22	23422-G22-000	E08
11100-KBN-900	E09	1720A-G22-000	F22	23431-G14-000	E08
11102-187-003	E09	17500-KBN-920	F11	23432-G22-000	E08
11200-G22-000	E09	17502-187-000	F16	2343A-G22-000	E08
11203-GC7-300	E09	17506-KBN-900-H1	F11	28000	
11204-KBN-900	E09	17525-KBN-900	F11	28100-KBN-920	E04
11205-GAH-003-H1	E09	17530-KBN-900	F11	28101-KBN-900	E04
11205-KBN-900-H1	E09	17620-GS7-900	F11	2810A-KB1-900	E04
11206-GW0-300	E09	17685-KBN-900	F11	28211-KBN-900	E06
11208-KBN-900	E04	17910-G22-000	F02	2823A-KB1-900	E06
1120A-KG8-000	E08	18000		28250-G22-000	E06
11341-G22-010	E05	18292-KR1-680	F23	28253-GN2-601	E06
11395-G22-000	E05	1830A-G22-020	F23	28255-GS6-000	E06
12000		18318-G22-000	F23	28281-GN2-602	E06
12100-KBN-000-A	E02	18319-G22-000	F23	28300-KBN-900	F17
12101-KBN-920	E02	19000		30000	
12191-KBN-900	E02	19510-GW3-900	E03	30400-GAK-900	F20
1220A-KB1-920	E02	19610-KBN-900	E01	30510-KBN-900	F20
12251-KBN-900	E02	19624-KBN-900	E01	30700-KBN-000	F20
13000		1962A-KB1-900	E01	31000	
13000-G1D-000	E10	21000		31100-KBN-920	E03
13101-KBN-900	E10	21200-GAK-900	E08	31120-KBN-900	E03
13111-KBN-900	E10	21395-KBN-900	E08	31200-KBN-900	E04
1312A-KB1-900	E10	22000		31203-KBN-900	E04
13201-KBN-900-H1	E10	2201A-KB1-920	E06	31500-KBN-910	F15
13202-169-003	E10	22100-KBN-900	E07	31600-KBN-920	F20
13381-KBN-900-H1	E10	22102-KBN-900	E06	32000	
14000		22105-GW3-000	E06	32100-G22-000	F20
14100-KBN-920	E02	22110-KBN-900	E06	32106-KBN-900	F10
15000		22121-GZ0-003-A	E06	32121-196-003	F20
1510A-KB1-900	E09	22131-GW3-901	E06	32161-393-003	E01
1511A-KB1-920	E09	22132-GN3-000-A	E06	33000	
15525-KBN-900	E09	22300-KBN-920	E07	33105-G22-000	F01
16000		22350-KBN-900	E07	3310A-G22-000	F01
16046-KBN-921	E11	22401-KBNF-000	E07	33400-G22-010	F03
16100-G17-003	E11	22804-148-000	E07	33402-G22-010	F03-1
1621A-KB1-900	E02	23000		33450-G22-010	F03
16702-KBN-900	F11	23010-KBN-920	E07	33452-G22-010	F03-1
1670A-KB1-000	F11	23100-G22-000	E07	33600-G03-520	F14
1670B-KB1-000	F11	23220-KBN-900	E07	33602-G03-520	F14-1
1671A-GA1-900	F11	23225-GR1-750	E07	33650-G03-520	F14
1691A-KB1-000	F11	23233-GW3-0100	E07	33702-G03-520	F14-1
17000		23237-GW3-000	E07	3370A-G22-000	F14
1710A-E70-000	E02	23411-G22-000	E08	33741-T40-010	F14
17111-KBN-901	E02	23420-G22-000	E08	34000	
17112-KBN-901	E02	23421-G22-000	E08	34902-S18-K	F01

34905-B06-000	F03	45500-G22-000	F10	55200-KBN-920	F16
34905-G03-520	F14	4550A-E69-000	F10	61000	
34906-G22-000	F14	45513-GW0-911-M1	F10	6110A-G22-000-EG	F04
35000		45520-GW0-911-M1	F10	6110A-G22-000-KQ	F04
35100-G09-000	F20	45521-GW0-911-M1	F10	6110A-G22-000-RT	F04
35150-M9Q-000	F03	45530-MN9-305	F10	6110A-G22-000-YG	F04
35160-GW0-900	F03	50000		61110-G22-000-GK	F05
35170-GW0-900	F03	50100-G24-000	F19	61120-G22-000-EG	F04
35180-GW0-900	F03	50139-KBN-902	F11	61120-G22-000-KQ	F04
35200-M9Q-000	F03	50140-KBN-900	F11	61120-G22-000-RT	F04
35340-GW0-920	F02	50300-GC8-000	F05	61120-G22-000-YG	F04
35340-KBN-900	F10	50306-196-000	F05	64000	
35400-KBN-920	F20	50325-KBN-900	F12	64305-G22-000-GK	F04
35410-KBN-901	F16	50350-KBN-900	F19	6430A-G22-000-EG	F04
37000		50352-GJ3-600	F12	6430A-G22-000-KQ	F04
37200-G22-012	F03	50502-KBN-900	F17	6430A-G22-000-RT	F04
37800-G19-000	F11	50503-KBN-900	F17	6430A-G22-000-YG	F04
37801-GA7-700	F11	5050A-G22-000	F17	64310-KBN-900-GK	F09
37802-GA7-700	F11	50530-G22-000	F17	64315-G22-000	F20
38000		50621-KBN-900	F19	6431A-G22-000-GK	F04
38110-KBN-900	F20	51000		64320-KBN-900-GK	F09
38300-T40-010	F03	51400-G22-000	F05	64330-KBN-900	F11
38501-GW3-900	F20	51500-G22-000	F05	75000	
42000		52000		75581-M9Q-000	F09
42601-G22-000-GR	F07	52400-G22-000	F18	77000	
42601-GAK-900-GR	F07	53000		77106-GS6-000	F12
42710-G22-000	F07	53100-G22-000	F03	77200-G22-000-BK	F08
42753-KJ9-000	F06	53105-H01-000	F02	77225-G22-000	F12
42753-KJ9-000	F07	53125-GN5-900	F03	77226-KY2-700	F13
43000		53140-KBN-900	F02	77232-GW0-900	F09
4314A-GA1-700	F07	53166-KBN-900	F02	77232-KBN-900	F19
43410-G02-000	F07	53167-GN2-020	F02	77234-KBN-900	F19
43450-G22-000	F02	53168-GN2-020	F02	77236-M8Q-000	F13
43472-KG8-000	F07	53172-G22-000	F02	80000	
44000		53173-GS7-003	F02	80100-G22-000-GM	F14
44301-G22-000	F06	53175-KBN-900	F10	80104-KBN-900	F14
44311-GW0-910	F06	53178-GAK-900-T1	F02	80106-KBN-900	F14
44620-G22-000	F06	5317A-G22-000	F02	80107-G22-000-EG	F14
44650-G22-000-GR	F06	53200-G22-000	F05	80107-G22-000-KQ	F14
44710-G22-000	F06	53206-G22-007-GK	F03	80107-G22-000-RT	F14
44800-G22-000	F06	5320A-G22-000	F05	80107-G22-000-YG	F14
44830-G22-000	F03	5320B-G22-000-EG	F03	80109-G22-000	F14
45100		5320B-G22-000-KQ	F03	80151-KBN-900-GK	F09
45100-G22-000	F10	5320B-G22-000-RT	F03	80152-KBN-900-GK	F09
45105-G22-000-AC	F10	5320B-G22-000-YG	F03	80153-KBN-900-GK	F09
45120-096-651	F07	55000		81000	
45121-G22-000	F06	55100-G22-000	F16	81132-GAH-000-GK	F04
45126-G22-000	F10	55105-KBN-900	F16	81133-KBN-900	F04
45133-028-000	F07	5510A-G22-000	F16	81200-T57-000	F21
45156-GW0-911	F05	55121-KBN-900	F16	81251-KB1-900-GO	F12
81260-G24-000	F12	87128-G22-000-T2	F24	90451-GN2-600	E05

81300-G22-000-EG	F21	88000		90465-MC4-000	F06
81300-G22-000-KQ	F21	88110-G22-000	F02	90481-705-000	E09
81300-G22-000-RT	F21	88120-G22-000	F02	90488-700-000	E09
81300-G22-000-YG	F21	89000		90501-M9Q-000	F07
83000		89010-KBN-000	F08	90502-MS2-000	E04
8350A-G22-000-EG	F13	90000		90545-300-000	F10
8350A-G22-000-KQ	F13	90001-KBN-900	E02	90603-044-000	E07
8350A-G22-000-RT	F13	90035-KZ1-000	E09	90652-GHB-640	F22
8350A-G22-000-YG	F13	90101-KBN-900	F12	90677-GR1-003	F09
8352A-G22-000-EG	F13	90105-G19-000	F21	90677-GR1-003	F13-1
8352A-G22-000-KQ	F13	90106-H21-000	F10	90677-GR1-003	F14
8352A-G22-000-RT	F13	90106-M9Q-000	F03	90741-035-000	E10
8352A-G22-000-YG	F13	90106-M9Q-900	F19	90754-M9Q-000-M2	F06
83605-G22-000	F13	90108-M9Q-000	F17	90912-M9Q-000-M1	F06
8360A-G22-000-EG	F13	90110-GZ0-000	F04	91000	
8360A-G22-000-KQ	F13	90110-KG8-900	F07	91001-E62-000	E10
8360A-G22-000-RT	F13	90111-162-000B	F12	91001-GW0-008-H1	E10
8360A-G22-000-YG	F13	90111-162-000B	F14	91001-GW0-901-E1	E07
8362A-G22-000-EG	F13	90112-GC3-000	F05	91001-GW0-901-E1	E10
8362A-G22-000-KQ	F13	90112-GK8-010	F20	91004-KBN-921-M1	E09
8362A-G22-000-RT	F13	90112-GZ0-000	F06	91004-KN2-901	E08
8362A-G22-000-YG	F13	90112-KBN-900	F19	91004-KN2-901	E09
8375A-G22-000-EG	F13-1	90114-166-006	F10	91005-GW3-951-M1	E10
8375A-G22-000-KQ	F13	90115-T15-000	F02	91005-KBN-900	E04
8375A-G22-000-RT	F13	90118-T15-000	F14	91006-E62-000	E10
8375A-G22-000-YG	F13	90121-T40-000	F19	91006-KBN-900	E10
83800-G22-000-EG	F14	90145-MS9-611	F10	91009-GEO-003-M1	E08
83800-G22-000-KQ	F14	90164-MR4-900	F04	91021-KBN-901-Y1	E04
83800-G22-000-RT	F14	90164-MR4-900	F14	91102-168-003-KD	E10
83800-G22-000-YG	F14	90164-X01-000	F20	91103-GR1-003	E07
87000		90201-415-000	F12	91201-F01-000	E09
87122-G22-000	F24	90201-KBN-900	E04	91202-F01-000	E09
87124-G22-000-T1	F24	90202-187-000	E07	91204-KBN-901-M1	E09
87124-G22-000-T2	F24	90302-SA4-003	F13-1	91211-GK8-003	E07
87124-G22-000-T3	F24	90304-M9Q-000	F03	91255-GEO-003	E08
87124-G22-000-T4	F24	90304-M9Q-000	F19	91258-KM1-004	F06
87125-G22-000-T1	F24	90304-M9Q-900	F23	91301-166-000	E09-1
87125-G22-000-T2	F24	90305-KBN-902-M2	F07	91351-GR1-000	E07
87125-G22-000-T3	F24	90305-M9Q-000	F04	91508-A26-000	F03
87125-G22-000-T4	F24	90305-M9Q-000	F09	92000	
87126-G22-000-T1	F24	90306-M9Q-000	F06	92700-06028-1B	E02
87126-G22-000-T2	F24	90309-GW0-901-M1	F06	93000	
87126-G22-000-T3	F24	90309-GW0-901-M1	F07	93201-08032-0A	F18
87126-G22-000-T4	F24	90320-HB9-000	F12	93401-06020-00	F02
87127-G22-000-T1	F24	90381-M9Q-000	F09	93404-06012-00	F14-1
87127-G22-000-T2	F24	90412-329-000	E06	93404-06016-07	F12
87127-G22-000-T3	F24	90426-KBN-900	E06	93404-06016-07	F16
87127-G22-000-T4	F24	90429-KBN-900	E08	93404-06016-07	F19
87128-G22-000-T1	F24	90442-044-000	E07	93404-06020-00	F09
93404-06035-07	F22	95015-32001	F07		
93500-05022-0A	F02	95015-42000	F07		

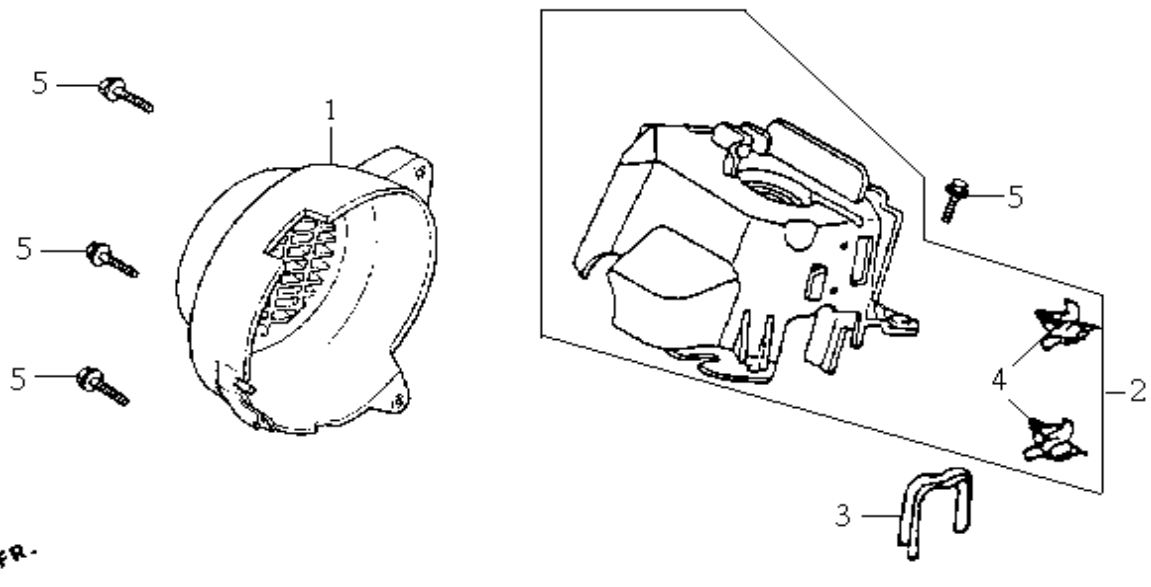
93600-04012-1GF	F10	95002-02100	F11	KBN	
93700-05018-0A	F06	95002-02650	E09-1	KBNA-1	E11
93891-05012-07	F13-1	95011-61000	F17	KBNA-2	E11
93891-05012-07	F14-1	95014-71402	F17	KBNA-3	E11
93891-05016-07	F13-1	95014-72204	F17	KBNA-4	E11
93891-05016-07	F13-1	95701-06012-00	F14-1	KBNA-5	E11
93891-05020-07	F13-1	95701-06012-00	F20		
93891-06010-07	F12	95701-06014-00	F11		
93893-04012-08	F10	95701-06022-07	F17		
93903-24220	F09	95701-06032-00	F07		
93903-24320	F13-1	95701-08012-00	E09-1		
93903-25220	F01	95701-08040-00	E09-1		
93903-25320	F13-1	95701-08045-00	E09-1		
93903-25380	F13-1	95701-08045-07	F23		
93903-25580	F22	95701-08055-07	F23		
93903-34320	F03-1	95701-08070-07	F23		
93903-34320	F13-1	95801-06012-00	F05		
93903-34380	F04	95801-06025-07	F22		
93903-34380	F14-1	95801-06045-08	F20		
93903-35320	F03-1	95801-08040-00	F05		
		95801-10035-00	F18		
		95801-10070-08	F19		
94000					
94001-05000-0S	F02	96000			
94001-12200-0S	E06	96001-06012-00	E03		
94030-08080	F17	96001-06012-00	F10		
94050-06000	E02	96001-06016-00	E03		
94050-06000	F10	96001-06022-00	E02		
94050-06000	F11	96001-06022-00	E03		
94050-06070	F19	96001-06025-00	E01		
94050-06080	F08	96001-06025-00	E05		
94050-06080	F20	96001-06028-00	E02		
94050-08000	E08	96001-06032-00	E04		
94050-10000	E03	96001-06032-00	E09-1		
94050-10000	E07	96001-06040-07	E05		
94201-16200	F17	96001-06045-00	E09-1		
94301-10200	E05	96001-06055-00	E09-1		
94301-10200	E08	96211-05000	F05		
94301-10200	E09-1	98000			
94511-14000	E05	98200-10700	F20		
94520-24000	E07	PLUG			
94601-14000	E10	1PBR6HSA-3	E02		
95000					
95002-02080	F11				

COLOR PARTS INDEX FOR " JET 100 "

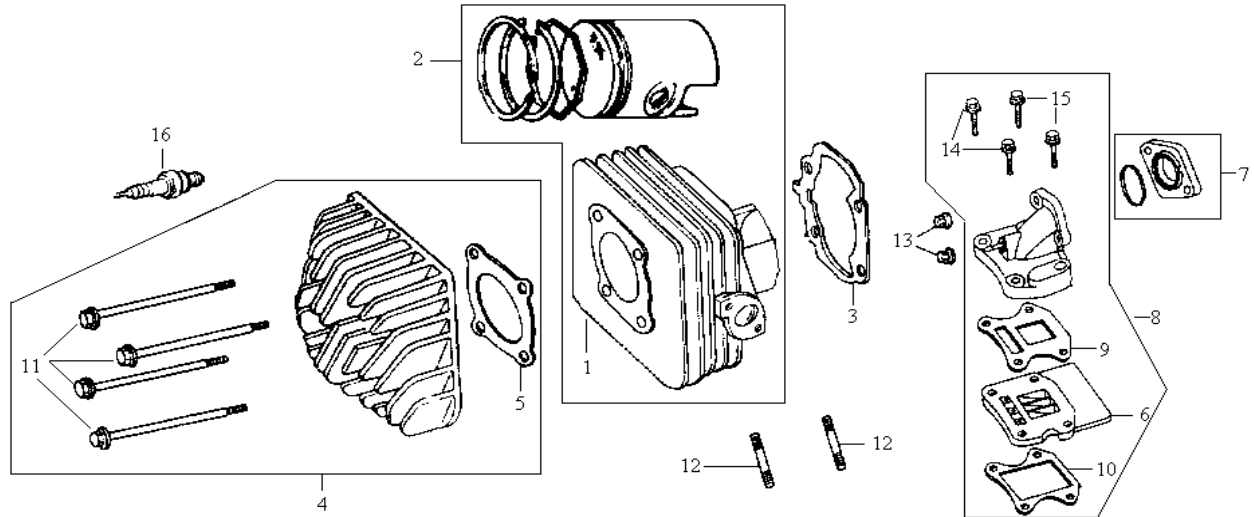
N O	MODEL		G100P-9-BK		G100P-9-R	
	BASIC COLOR		BLACK		RED	
	CODE		BK-005S	KQ	R-010CA	RT
Item	Parts Number	Description	Basic Color	Code	Basic Color	Code
1	42601-G22-000	RR. WHEEL COMP	GY-1406S	GR	GY-1406S	GR
2	42601-GAK-900	RR. WHEEL HUB COMP	GY-1406S	GR	GY-1406S	GR
3	44650-G22-000	FR. HUB COMP	GY-1406S	GR	GY-1406S	GR
4	53205-G22-000	FR. HANDLE COVER	BK-005S	KQ	R-010CA	RT
5	53206-G22-000	RR. HANDLE COVER	GY-426U	GK	GY-426U	GK
6	5320B-G22-000	FR. HANDLE COVER ASS'Y	BK-005S	KQ	R-010CA	RT
7	5321A-G24-000	RR. HANDLE COVER ASS'Y	GY-426U	GK	GY-426U	GK
8	6110A-G22-000	FR. FENDER	BK-005S	KQ	R-010CA	RT
9	61110-G22-000	FR. INNER FENDER	GY-426U	GK	GY-426U	GK
10	61120-G22-000	FR. UNDER SPOILER	BK-005S	KQ	R-010CA	RT
11	64301-G22-000	FR. COVER COMP	BK-005S	KQ	R-010CA	RT
12	64305-G22-000	FR. UP PLATE	GY-426U	GK	GY-426U	GK
13	6430A-G22-000	FR. COVER ASS'Y	BK-005S	KQ	R-010CA	RT
14	64310-KBN-900	FLOOR STEP	GY-426U	GK	GY-426U	GK
15	6431A-E69-000	FR. INNER COVER ASS'Y	GY-426U	GK	GY-426U	GK
16	64320-KBN-900	FLOOR MAT	GY-426U	GK	GY-426U	GK
17	80107-G22-000	RR. MUDGUARD ASS'Y	BK-005S	KQ	R-010CA	RT
18	80151-KBN-900	CENTER COVER	GY-426U	GK	GY-426U	GK
19	80152-KBN-900	FUEL LID	GY-426U	GK	GY-426U	GK
20	80153-KBN-900	MAIN COVER PLUG	GY-426U	GK	GY-426U	GK
21	81132-GAH-000	HOOK LUGGAGE	GY-426U	GK	GY-426U	GK
22	81300-G22-000	RR. GRIP	BK-005S	KQ	R-010CA	RT
23	83500-G22-000	R. BODY COVER	BK-005S	KQ	R-010CA	RT
24	8350A-G22-000	R. BODY COVER ASS'Y	BK-005S	KQ	R-010CA	RT
25	8352A-G22-000	R. SIDE COVER ASSY	BK-005S	KQ	R-010CA	RT
26	8352Z-G22-000	R. SIDE COVER SET				
27	83600-G22-000	L. BODY COVER	BK-005S	KQ	R-010CA	RT
28	8360A-G22-000	L. BODY COVER ASSY	BK-005S	KQ	R-010CA	RT
29	8362A-G22-000	L. SIDE COVER ASSY	BK-005S	KQ	R-010CA	RT
30	8362Z-G22-000	L. SIDE COVER SET				
31	8375A-G22-000	RR. CENTER COVER	BK-005S	KQ	R-010CA	RT
32	83800-G22-000	TAIL COVER	BK-005S	KQ	R-010CA	RT
33	87124-G22-000	FR. HANDLE COVER STRIPE	TYPE 1	TI	TYPE 2	T2
34	87125-G22-000	FR COVER STRIPE	TYPE 1	TI	TYPE 2	T2
35	87126-G22-000	R. BODY COVER STRIPE	TYPE 1	TI	TYPE 2	T2
36	87127-G22-000	L. BODY COVER STRIPE	TYPE 1	TI	TYPE 2	T2
37	87128-G22-000	R. BODY COVER STRIPE	TYPE 1	TI	TYPE 1	T1
38						

COLOR PARTS INDEX FOR " JET 100 "

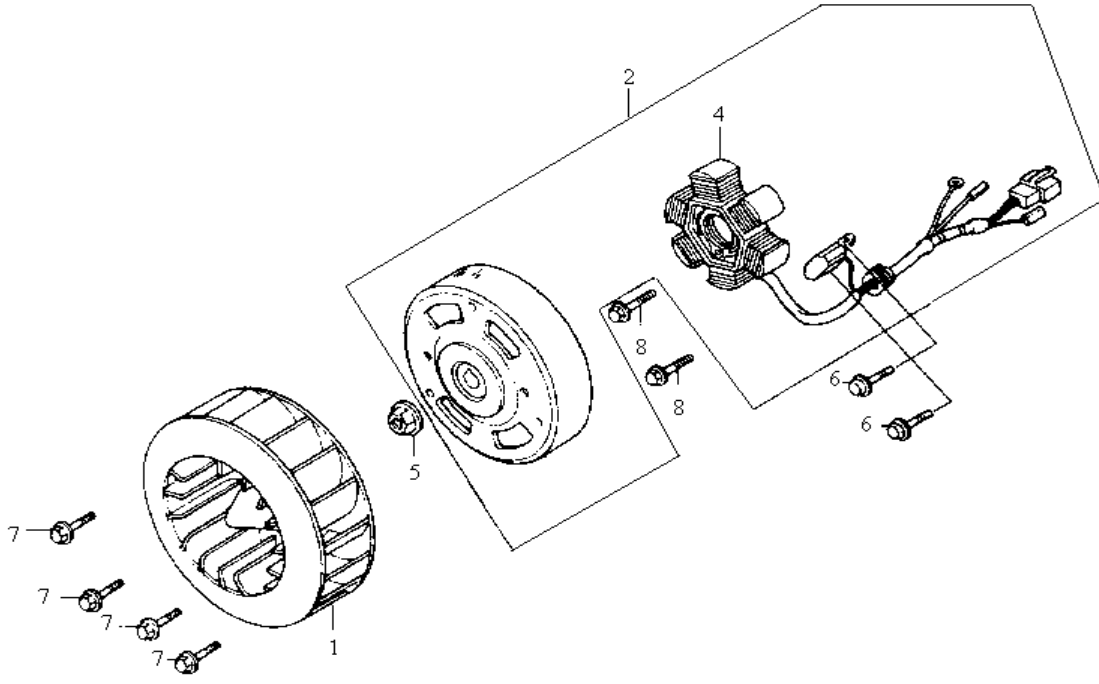
N O	MODEL		G100P-9-G		G100P-9-Y	
	BASIC COLOR		GREEN		YELLOW	
	CODE		GN-4923S	EG	Y-109P	YG
Item	Parts Number	Description	Basic Color	Code	Basic Color	Code
1	42601-G22-000	RR. WHEEL COMP	GY-1406S	GR	GY-1406S	GR
2	42601-GAK-900	RR. WHEEL HUB COMP	GY-1406S	GR	GY-1406S	GR
3	44650-G22-000	FR. HUB COMP	GY-1406S	GR	GY-1406S	GR
4	53205-G22-000	FR. HANDLE COVER	GN-4923S	EG	Y-109P	YG
5	53206-G22-000	RR. HANDLE COVER	GY-426U	GK	GY-426U	GK
6	5320B-G22-000	FR. HANDLE COVER ASS'Y	GN-4923S	EG	Y-109P	YG
7	5321A-G24-000	RR. HANDLE COVER ASS'Y	GY-426U	GK	GY-426U	GK
8	6110A-G22-000	FR. FENDER	GN-4923S	EG	Y-109P	YG
9	61110-G22-000	FR. INNER FENDER	GY-426U	GK	GY-426U	GK
10	61120-G22-000	FR. UNDER SPOILER	GN-4923S	EG	Y-109P	YG
11	64301-G22-000	FR. COVER COMP	GN-4923S	EG	Y-109P	YG
12	64305-G22-000	FR. UP PLATE	GY-426U	GK	GY-426U	GK
13	6430A-G22-000	FR. COVER ASS'Y	GN-4923S	EG	Y-109P	YG
14	64310-KBN-900	FLOOR STEP	GY-426U	GK	GY-426U	GK
15	6431A-E69-000	FR. INNER COVER ASS'Y	GY-426U	GK	GY-426U	GK
16	64320-KBN-900	FLOOR MAT	GY-426U	GK	GY-426U	GK
17	80107-G22-000	RR. MUDGUARD ASS'Y	GN-4923S	EG	Y-109P	YG
18	80151-KBN-900	CENTER COVER	GY-426U	GK	GY-426U	GK
19	80152-KBN-900	FUEL LID	GY-426U	GK	GY-426U	GK
20	80153-KBN-900	MAIN COVER PLUG	GY-426U	GK	GY-426U	GK
21	81132-GAH-000	HOOK LUGGAGE	GY-426U	GK	GY-426U	GK
22	81300-G22-000	RR. GRIP	GN-4923S	EG	Y-109P	YG
23	83500-G22-000	R. BODY COVER	GN-4923S	EG	Y-109P	YG
24	8350A-G22-000	R. BODY COVER ASS'Y	GN-4923S	EG	Y-109P	YG
25	8352A-G22-000	R. SIDE COVER ASSY	GN-4923S	EG	Y-109P	YG
26	8352Z-G22-000	R. SIDE COVER SET			Y-109P	YG
27	83600-G22-000	L. BODY COVER	GN-4923S	EG	Y-109P	YG
28	8360A-G22-000	L. BODY COVER ASSY	GN-4923S	EG	Y-109P	YG
29	8362A-G22-000	L. SIDE COVER ASSY	GN-4923S	EG	Y-109P	YG
30	8362Z-G22-000	L. SIDE COVER SET			Y-109P	YG
31	8375A-G22-000	RR. CENTER COVER	GN-4923S	EG	Y-109P	YG
32	83800-G22-000	TAIL COVER	GN-4923S	EG	Y-109P	YG
33	87124-G22-000	FR. HANDLE COVER STRIPE	TYPE 3	T3	TYPE 4	T4
34	87125-G22-000	FR COVER STRIPE	TYPE 3	T3	TYPE 4	T4
35	87126-G22-000	R. BODY COVER STRIPE	TYPE 3	T3	TYPE 4	T4
36	87127-G22-000	L. BODY COVER STRIPE	TYPE 3	T3	TYPE 4	T4
37	87128-G22-000	R. BODY COVER STRIPE	TYPE 1	T1	TYPE 2	T2



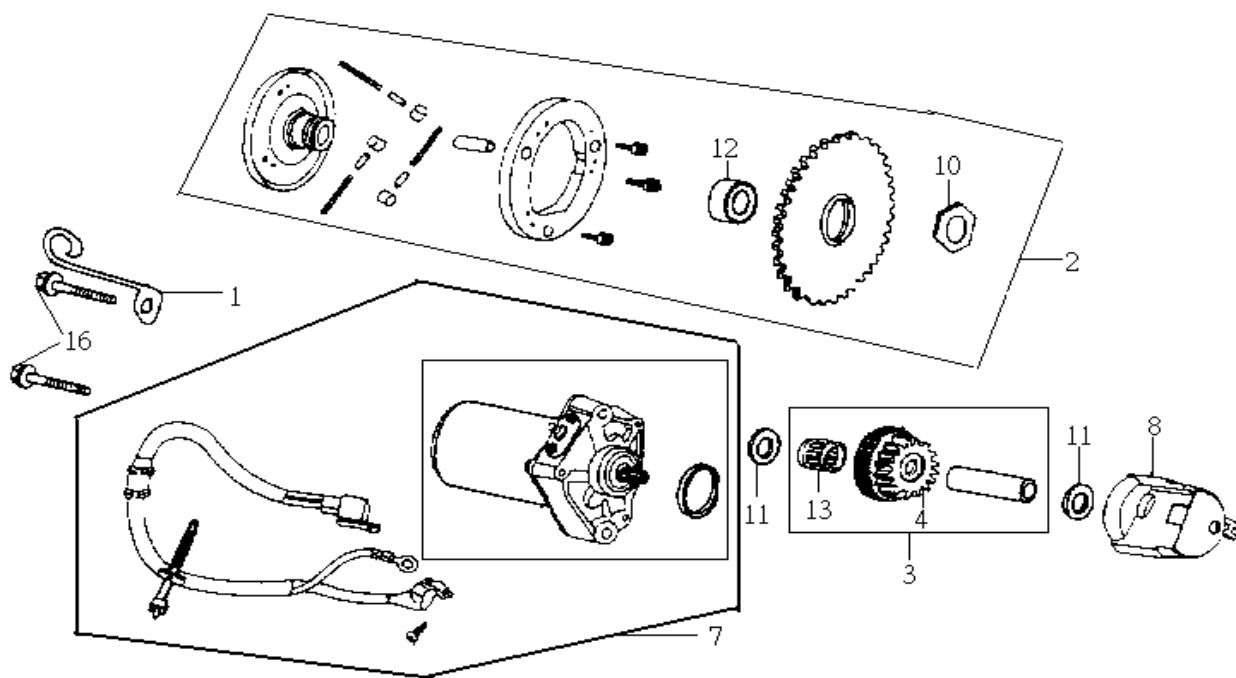
MODEL(S) G100P-9			A P P L Y	Q T Y R E Q
BLOCK NO. A-1 DESCRIPTION	PARTS NUMBER	CHANGE DATE		
1.Fan cover comp	19610-KBN-900			1
2.Shroud assy	1962A-KB1-900			1
3.Rubber shroud seal	19624-KBN-900			1
4.Harness wire clip	32161-393-003			2
5.Flange bolt SH 6x25	96001-06025-00			4



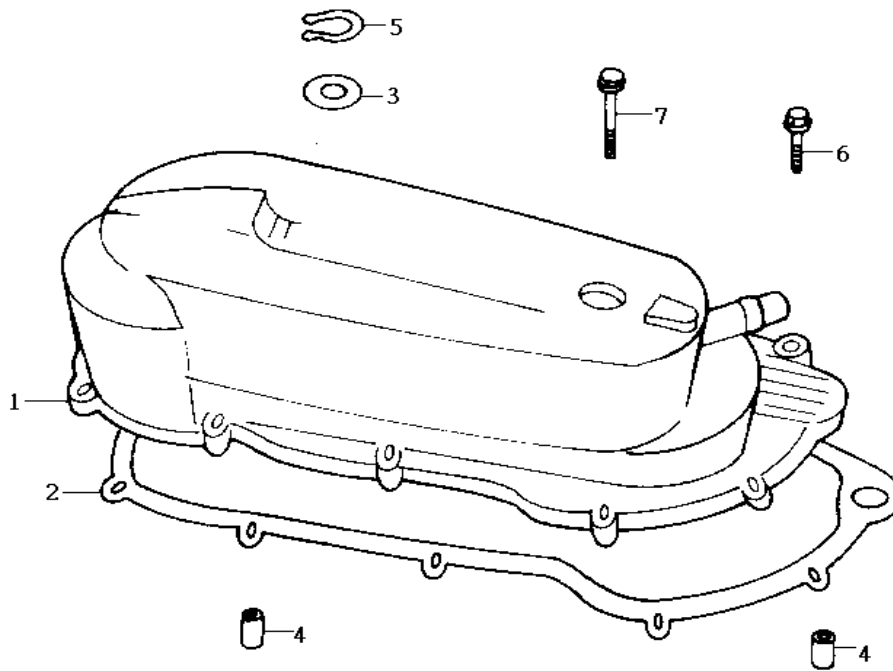
MODEL(S)			A	Q
G100P-9			P	T
	BLOCK NO. A-3		P	Y
DESCRIPTION	PARTS NUMBER	CHANGE DATE	L	R
			Y	E
				Q
1.Cylinder	12101-KBN-920			1
2.Cylinder piston ring set	12100-KBN-000-A			1
3.Cylinder gasket	12191-KBN-900			1
4.Cylinder head	1220A-KB1-920			1
5.Cylinder head gasket	12251-KBN-900			1
6.Read valve comp	14100-KBN-920			1
7.Carburetor insulator assy	1621A-KB1-900			1
8.Inlet pipe ass'y	1710A-E70-000			1
9.Inlet pipe gasket A	17111-KBN-901			1
10.Inlet pipe gasket B	17112-KBN-901			1
11.Flange bolt 7x100	90001-KBN-900			4
12.Stud bolt 6x28	92700-06028-1B			2
13.Flange nut 6mm	94050-06000			2
14.Flange bolt SH 6x22	96001-06022-00			2
15.Flange bolt SH 6x28	96001-06028-00			2
16.Spark plug(BR8HSA)	1PBR8HSA-3	1999-07-12	Y	1
Spark plug(BR6HSA)	1PBR6HSA-3	2000-01-20	Y	1



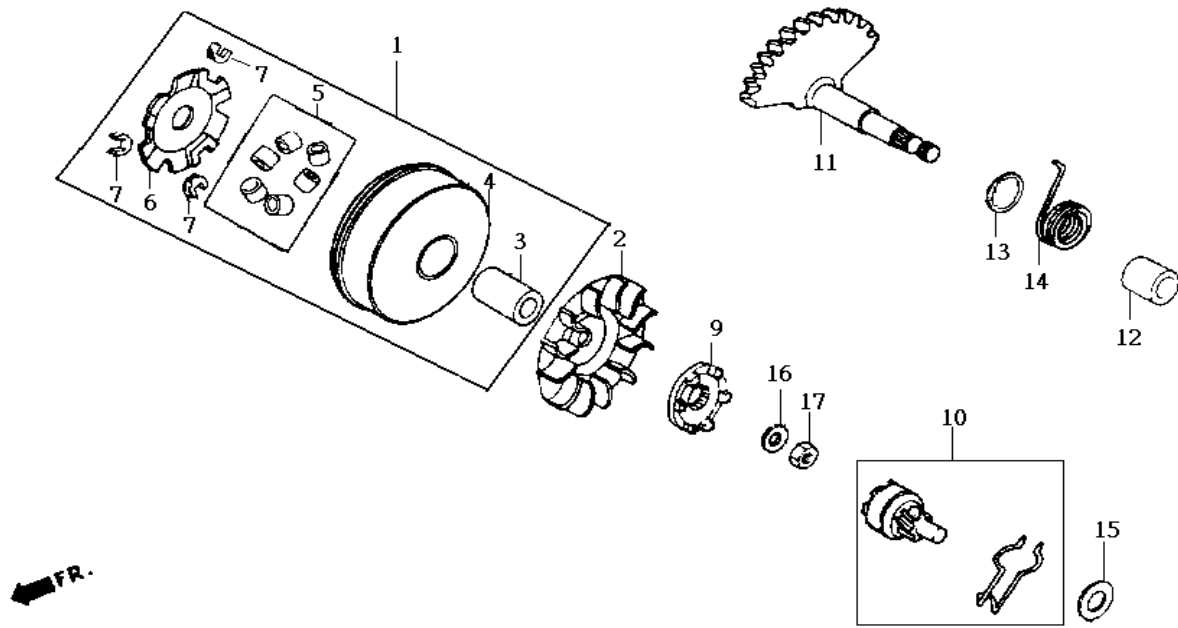
MODEL(S) G100P-9			A P P L Y	Q T Y R E Q
BLOCK NO. A-1 DESCRIPTION	PARTS NUMBER	CHANGE DATE		
1.Cooling fan comp.	19510-GW3-900			1
2.A.C.G. assy.	31100-KBN-920			1
4.Stator comp.	31120-KBN-900			1
5.Flange nut 10mm	94050-10000			1
6.Flange bolt SH 6×12	96001-06012-00			2
7.Flange bolt SH 6×16	96001-06016-00			4
8.Flange bolt SH 6×22	96001-06022-00			2



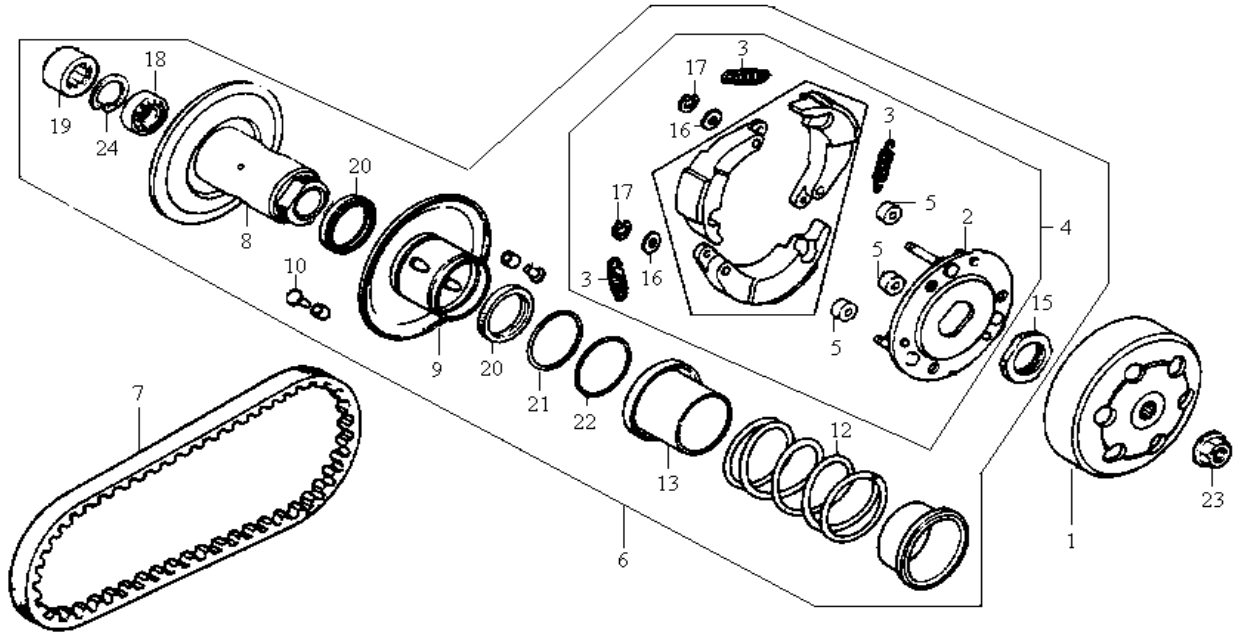
MODEL(S) G100P-9			A P P L Y	Q T Y R E Q
BLOCK NO. A-1	CHANGE DATE			
DESCRIPTION	PARTS NUMBER			
1.Carb drain calmpers	11208-KBN-900			1
2.Start. One-way clutch assy.	28100-KBN-920			1
3.Start. Riduction assy.	2810A-KB1-900			1
4.Start. Riduction gear comp.	28101-KBN-900			1
7.Starter motor assy.	31200-KBN-900			1
8.Holder comp. Starter pinion	31203-KBN-900			1
10.Special nut 24mm	90201-KBN-900			1
11.Washer 24x8.5	90502-MS2-000			2
12.BRG. Ball radial 6005-2NGK	91005-KBN-900			1
13.Shell needle BRG. 8x15x14	91021-KBN-901-Y1			1
16.Flange bolt SH 6x32	96001-06032-00			2



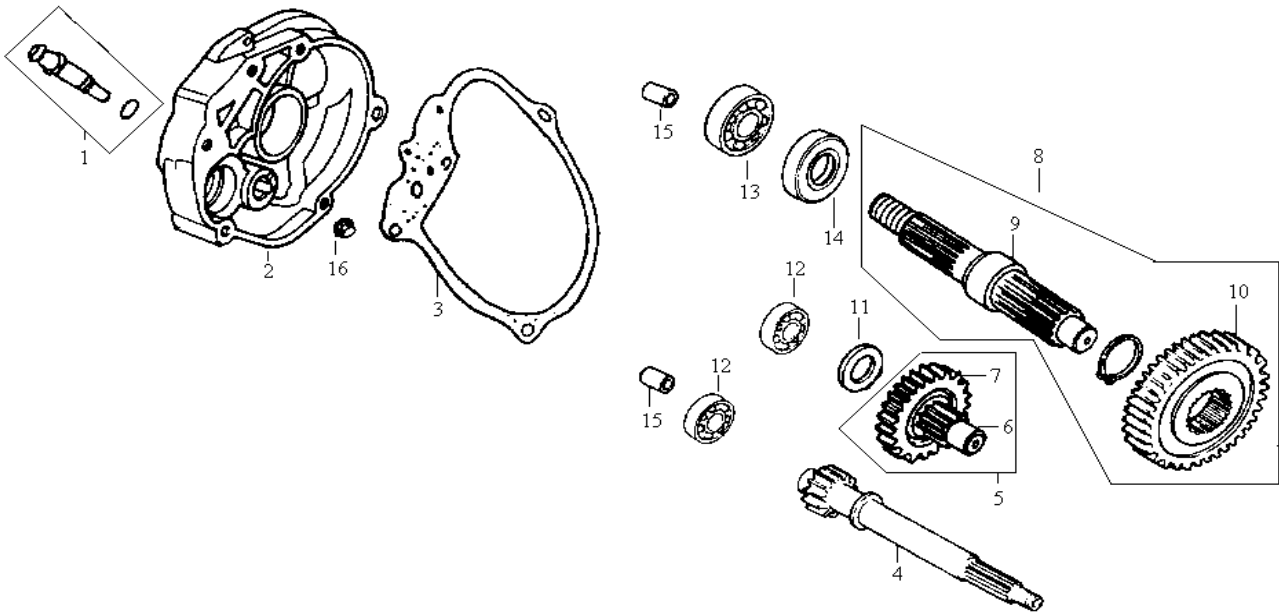
MODEL(S) G100P-9			A P P L Y	Q T Y R E Q
BLOCK NO. A-1 DESCRIPTION	PARTS NUMBER	CHANGE DATE		
1.L side cover comp.	11341-G22-010			1
2.L cover gasket	11395-G22-000			1
3.Kick spindle washer	90451-GN2-600			1
4.Dowel pin 10x20	94301-10200			2
5.EX. Cir clip 14mm	94511-14000			1
6.Flange bolt SH 6x25	96001-06025-00			8
7.Flange bolt SH 6x40	96001-06040-07			2



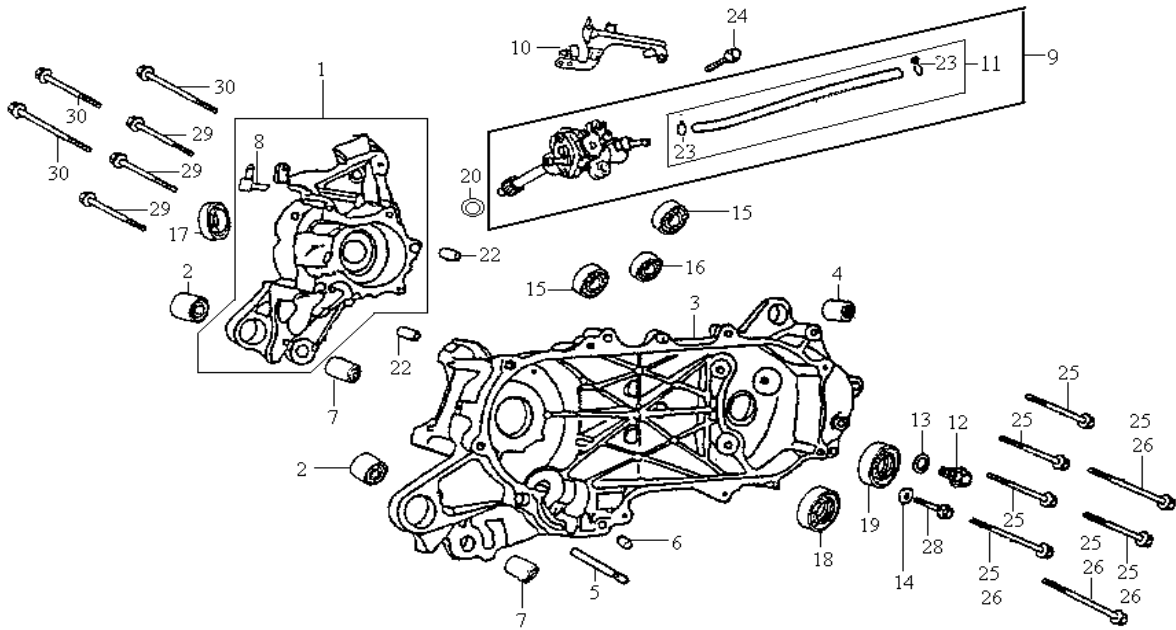
MODEL(S) G100P-9			A P P L Y	Q T Y R E Q
BLOCK NO. A-1		CHANGE DATE		
DESCRIPTION	PARTS NUMBER			
1.Movable drive face assy	2201A-KB1-920			1
2.Drive face	22102-KBN-900			1
3.Drive face boss	22105-GW3-000			1
4.Movable drive face comp	22110-KBN-900			1
5.Weight roller comp. 7.5GR set	22121-GZ0-003-A			6
6.Ramp plate	22131-GW3-901			1
7.Slide piece set	22132-GN3-000-A			3
9.Kick starter ratche	28211-KBN-900			1
10.Kick driven gear assy	2823A-KB1-900			1
11.Kick starter spindle comp	28250-G22-000			1
12.Kick spindle bush	28253-GN2-601			1
13.Kick boss collar	28255-GS6-000			1
14.Kick return spring	28281-GN2-602			1
15.Thrust washer 10mm	90412-329-000			1
16.Special washer 12mm	90426-KBN-900			1
17.HEX. nut 12mm	94001-12200-0S			1



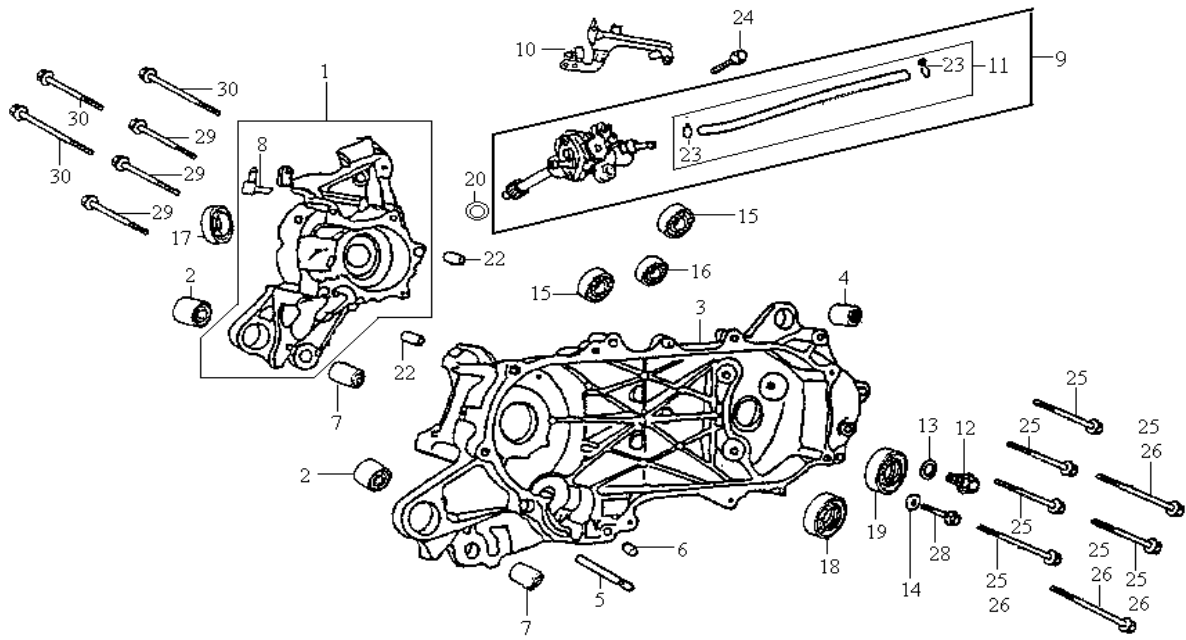
MODEL(S) G100P-9			A P P L Y	Q T Y R E Q
BLOCK NO. A-3		CHANGE DATE		
DESCRIPTION	PARTS NUMBER			
1.Clutch outer	22100-KBN-900			1
2.Drive plate assy	22350-KBN-900			1
3.Clutch spring	22401-KBNF-900			3
4.Clutch weight set	22300-KBN-900			1
Clutch weight set	22300-KBN-920	1999-10-04	Y	1
5.Clutch damper rubber	22804-148-000			1
6.Driven pulley assy	23010-KBN-920			1
7.Drive belt	23100-G22-000			1
9.Movable driven face comp	23220-GW3-000			1
	23220-KBN-900	1999-12-24	N	1
12.Driven face spring	23233-GW3-010			1
13.Seal collar	23237-GW3-000			1
15.Special nut 28mm	90202-187-000			1
16.Thrust washer 6mm	90442-044-000			3
17.Cir clip 6mm	90603-044-000			3
18.Radial ball BRG.6901U	91001-GW0-901-E1			1
19.Needle BRG.17×25×18ws	91103-GR1-003			1
20.Oil seal 34×39×3	91211-GK8-003			2
21.O-ring 36×1.5	91351-GR1-000			1
22.O-ring 39.8×2.2	91351-042-000			1
23.Flange nut 10mm	94050-10000			1
24.Cir clip IN 24	94520-24000			1



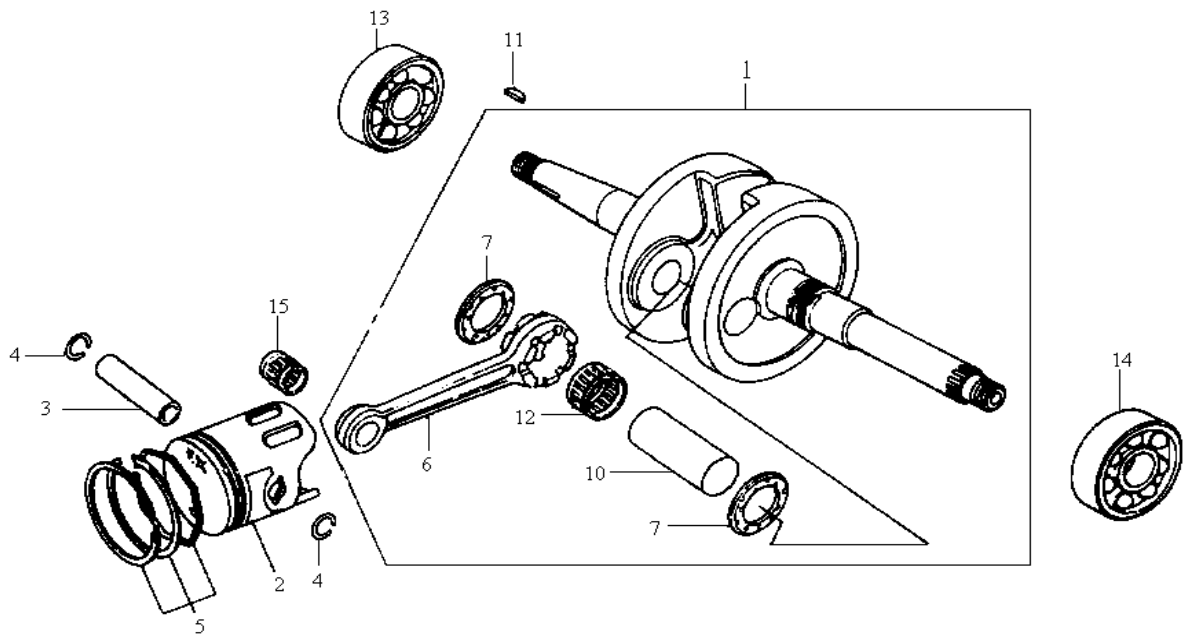
MODEL(S) G100P-9			A P P L Y	Q T Y R E Q
BLOCK NO. A-1		CHANGE DATE		
DESCRIPTION	PARTS NUMBER			
1.Brk. shoe anchor pin assy	1120A-KG8-000			1
2.Mission case comp	21200-GAK-900			1
3.Mission case gasket	21395-KBN-900			1
4.Drive shaft	23411-G22-000			1
5.Counter shaft comp	23420-G22-000			1
6.Counter shaft	23421-G22-000			1
7.Counter gear	23422-G22-000			1
8.Final shaft assy	2343A-G22-000			1
9.Final shaft	23431-G14-000			1
10.Final gear	23432-G22-000			1
11.Side washer 12mm	90429-KBN-900			1
12.Radial ball brg.6201	91004-KN2-901			2
13.Radial ball brg.6004UU	91009-GE0-003-M1			1
14.Oil seal 27×42×7	91255-GE0-003			1
15.Doewl pin 10×20	94301-10200			2
16.Flange nut 8mm	94050-08000			1



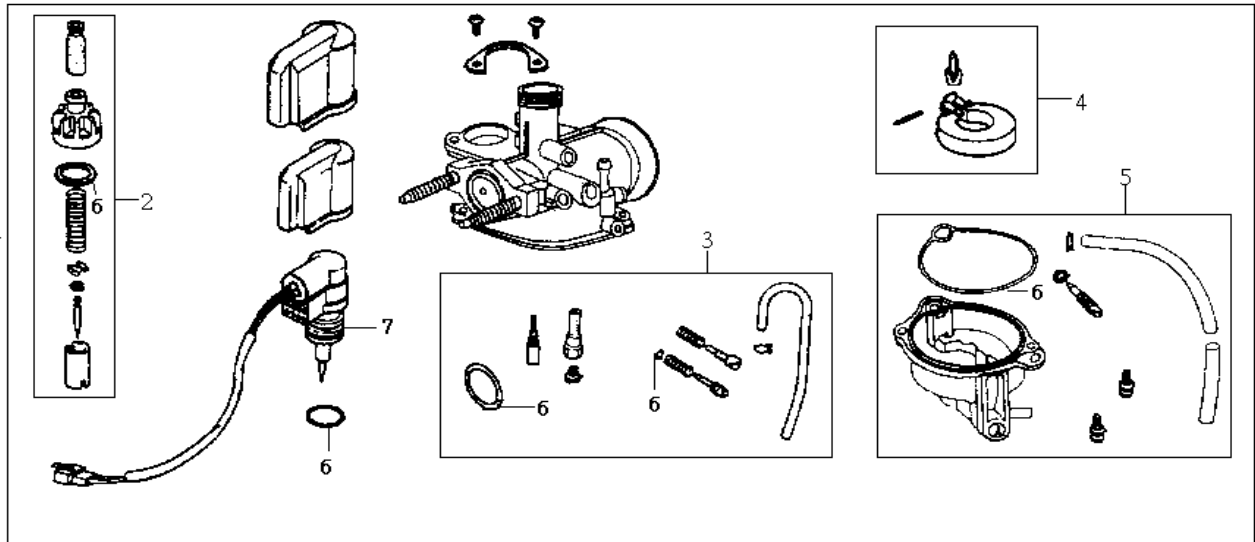
MODEL(S) G100P-9			A P P L Y	Q T Y R E Q
BLOCK NO. A-2		CHANGE DATE		
DESCRIPTION	PARTS NUMBER			
1. R.crank case body	11100-KBN-900			1
2. ENG.hanger rub.bush	11102-187-003			2
3. L.crank case body	11200-G22-000			1
4. R.R.cush .und.rub.bush	11203-GC7-300			1
5. Pin.spg.hook	11204-KBN-900			1
6. Bush 8×12×8	11205-GAH-003-H1			1
7. Bush, M stand	11205-KBN-900-H1			2
8. Pulse joint comp	11206-GW0-300			1
9. Oil pump assy	1510A-KB1-900			1
10.Oil pump set plate assy	1511A-KB1-920			1
11.Oil pass tube comp	15525-KBN-900			1
12.Oil level check bolt	90035-KZ1-000			1
13.Plain washer 10.2	90481-705-000			1
14.Washer A 8mm	90488-700-000			1
15.Ball brg.6203(TMB)	91004-KBN-921-M1			2
16.Radial ball brg.6201	91004-KN2-901			1
17.Oil seal assy. 15.6×25.5×7	91201-F01-000			1
18.Oil seal assy.20×31×7	91202-F01-000			1
19.Oil seal 17×30×6	91204-KBN-901-M1			1
20.O-ring	91301-166-000			1
22.Dowel pin 10×20	94301-10200			2
23.Tube clip B6.5	95002-02650			2
24.Flange bolt 8×12	95701-08012-00			1



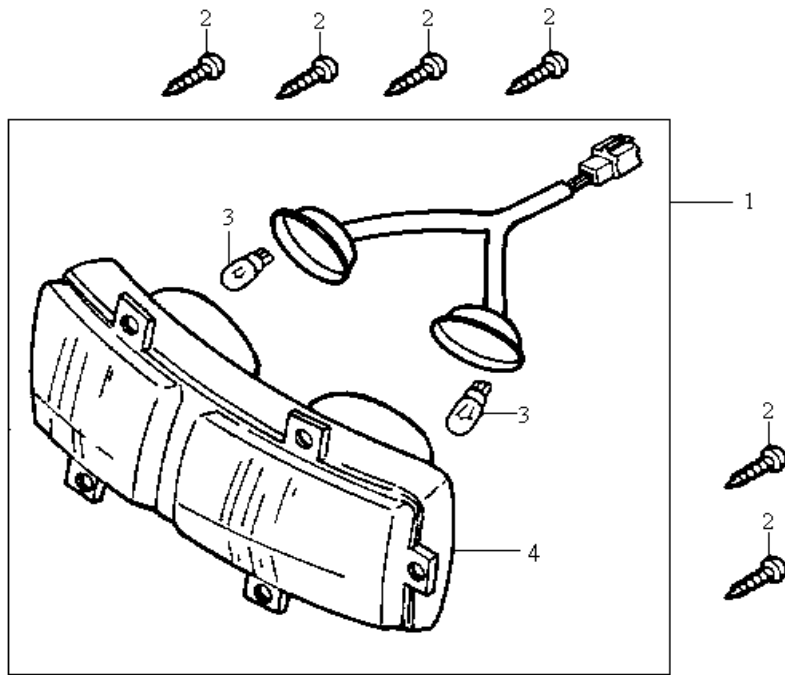
MODEL(S) G100P-9			A P P L Y	Q T Y R E Q
BLOCK NO. A-2		CHANGE DATE		
DESCRIPTION	PARTS NUMBER			
25.Flange bolt 8×35	95701-08045-00			2
26.Flange bolt 8×40	95701-08040-00			5
28.Flange bolt SH 6×32	96001-06032-00			1
29.Flange bolt SH 6×45	96001-06045-00			3
30.Flange bolt SH 6×55	96001-06055-00			3



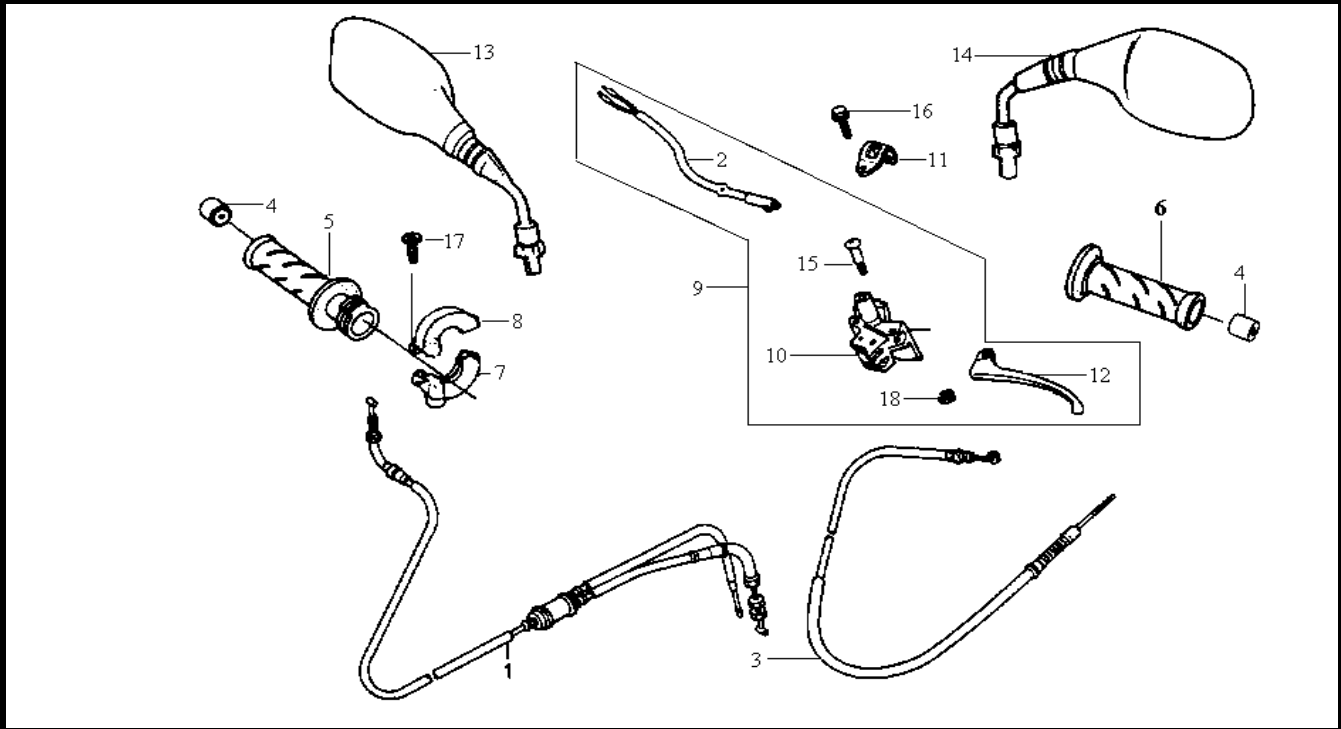
MODEL(S) G100P-9			A P P L Y	Q T Y R E Q
BLOCK NO. A-2 DESCRIPTION	PARTS NUMBER	CHANGE DATE		
1.Crank shaft comp	13000-G1D-000			1
2.Piston	13101-KBN-900			1
3.Piston pin	13111-KBN-900			1
4.Piston pin clip 12mm	94601-14000			2
5.Piston ring set	1312A-KB1-900			1
6.Conn rod	13201-KBN-900-H1			1
7.Connecting rod side plate	13202-169-003			2
10.Crank pin	13381-KBN-900-H1			1
11.Woodruff key 10x4	90741-035-000			1
12.BRG.con-rod big end	91001-GW0-008-H1			1
13.Ball radial special BRG.6204	91001-GW0-901-E1			1
	91001-E62-000	1997-12-01		1
	91005-GW3-951-M1	1999-04-01	N	1
14.BRG.ball radial 25x52x12	91006-KBN-900			1
	91006-E62-000	1999-12-01	N	1
15.BRG. con-rod S.E	91102-168-003-KD			1



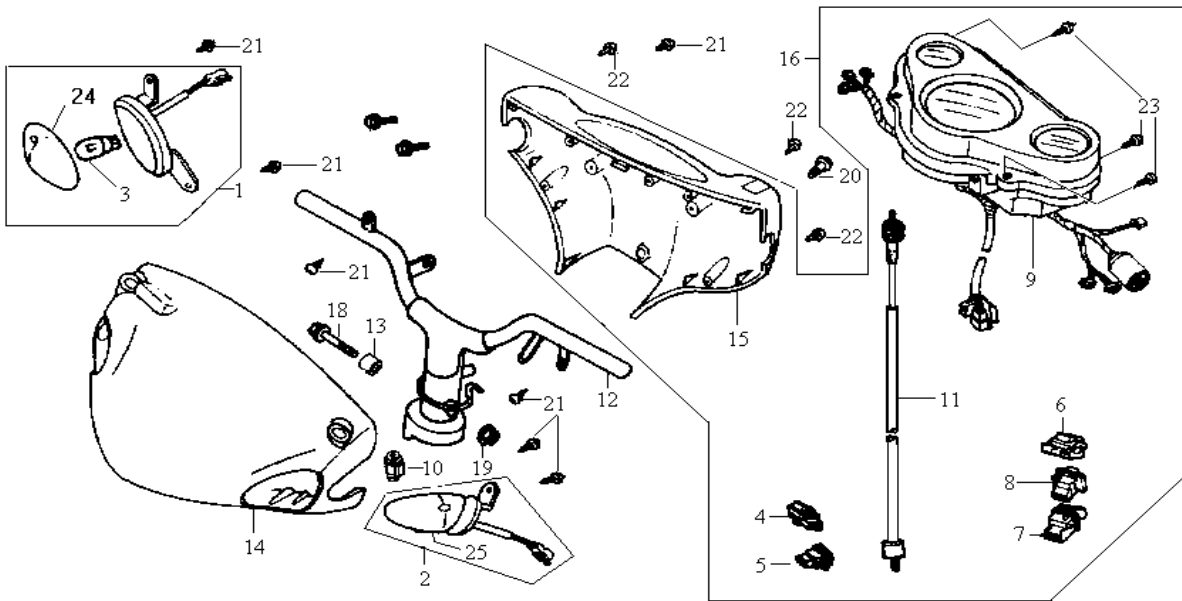
MODEL(S) G100P-9			A P P L Y	Q T Y R E Q
BLOCK NO. A-1 DESCRIPTION	PARTS NUMBER	CHANGE DATE		
1. Carburetor assy	16100-G17-003			1
2. Carb. needld fix set	KBNA-1			1
3. Carb. screw fix set	KBNA-2			1
4. Carb. float fix set	KBNA-3			1
5. Carb. f.c.b. fix set	KBNA-4			1
6. Carb. gasket fix set	KBNA-5			1
7. Carb.auto by start assy	16046-KBN-921			1



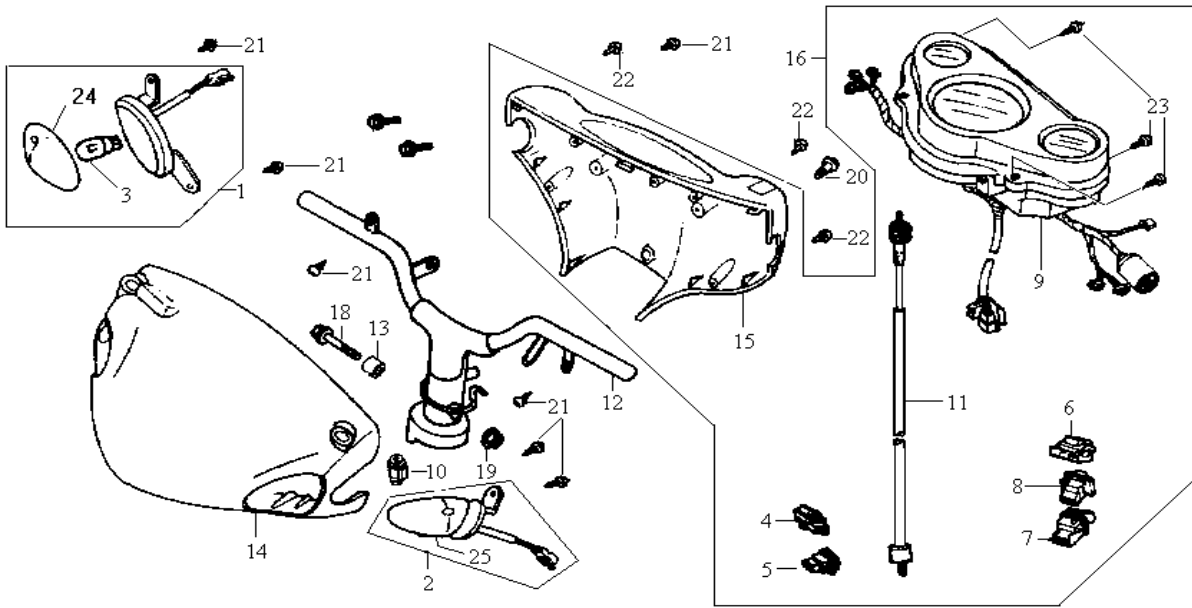
MODEL(S) G100P-9			A P P L Y	Q T Y R E Q
BLOCK NO. A-1	CHANGE DATE	DATE		
DESCRIPTION	PARTS NUMBER			
1.Head light assy.(normal type)	3310A-G22-000			1
2.Tapping screw 5×12	93903-25220			6
3.Bulb head light (12V 18/18W)	34902-S18-K			2
4.FR. head light holder	33105-G22-000			1



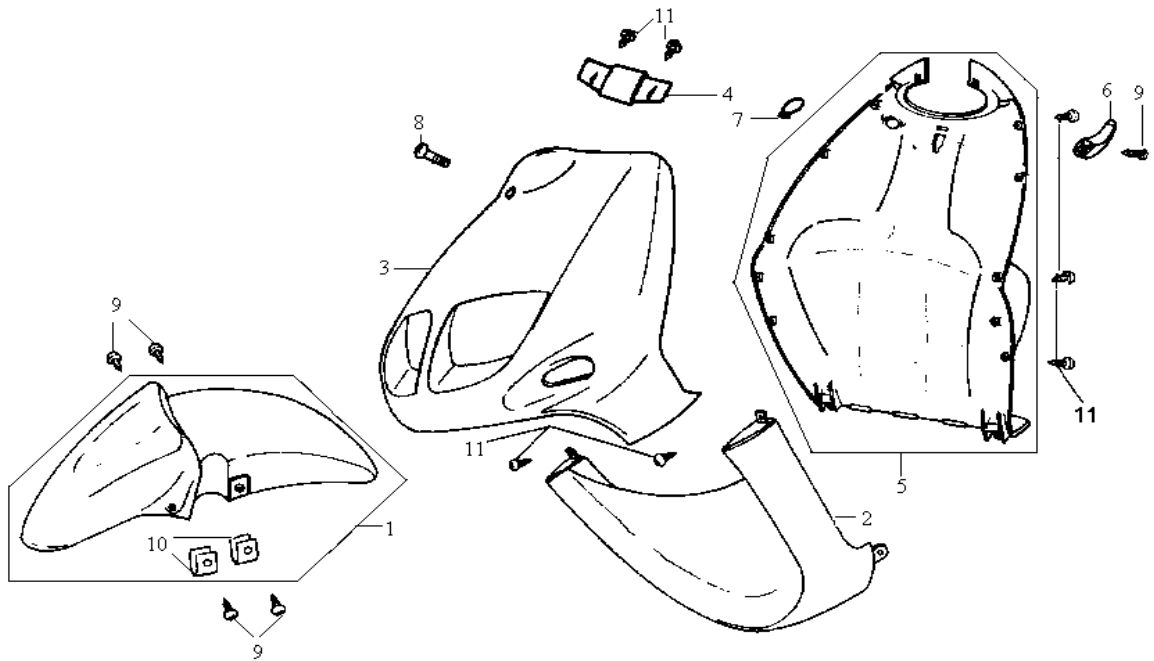
MODEL(S) G100P-9			A P P L Y	Q T Y R E Q
BLOCK NO. A-2 DESCRIPTION	PARTS NUMBER	CHANGE DATE		
1.Trottle cable comp	17910-G22-000			1
2.FR.stop sw.assy	35340-GAK-900	1999-12-23	N	1
3.RR.brake cable comp	43450-G22-000			1
4.Handle end.strg	53105-H01-000			2
5.Throt. grip comp	53140-KBN-900			1
6.L.handle grip	53166-KBN-900			1
7.Throt.und. housing	53167-GN2-020			1
8.Throt.up. housing	53168-GN2-020			1
9.L.handle lever assy	5317A-G22-000			1
10.Handle brkt.	53172-G22-000			1
11.Handle brkt. band	53173-GS7-003			1
12.L.strg. handle lever	53178-GAK-900-T1			1
13.R.back mirror assy	88110-G22-000			1
14.L.back mirror assy	88120-G22-000			1
15.Handle lever pivot screw	90115-T15-000			1
16.Washer bolt 6 × 20	93401-06020-00			1
17.Pan screw 5 × 22	93500-05022-0A			1
18.HEX. nut 5mm	94001-05000-0S			1



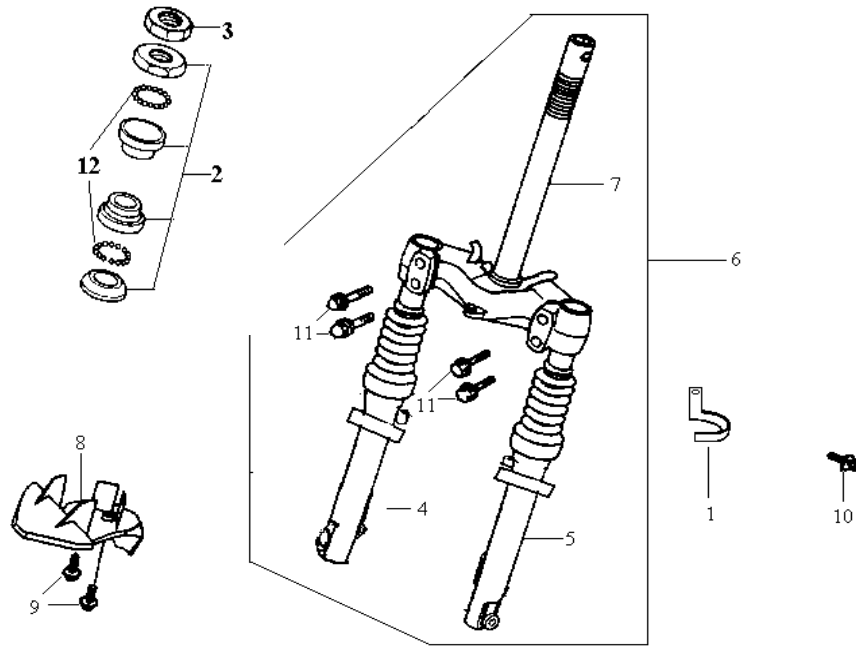
MODEL(S)			CHANGE DATE	A P P L Y	Q T Y R E Q
G100P-9	BLOCK NO. A-5				
DESCRIPTION	PARTS NUMBER				
1.R FR. winker assy	33400-G22-010				1
2.L FR. winker assy	33450-G22-010				1
3.Winker bulb 12V-10W	34905-B06-000				2
4.Light SW.unit	35150-GW0-900				1
5.Start SW.unit	35150-M9Q-000		1999-12-31	N	1
6.Dimmer SW.unit	35160-GW0-900				1
7.Horn SW.unit	35170-GW0-900				1
8.Winker SW.unit	35180-GW0-900				1
9.Meter assy	35200-M9Q-000				1
10.Flasher Relay	37200-G22-010				1
	37200-G22-020		1999-08-19	N	1
	38300-T40-000				1
	38300-T40-010		1998-11-16	N	1
11.Spd.cable comp	44830-G22-000				1
12.Strg.handle comp	53100-G22-000				1
13.Handle setting collar	53125-GN5-900				1
14.FR.handle cover (BK-005S)	5320B-G22-000-KQ			BLACK	1
FR.handle cover (R-010CA)	5320B-G22-000-RT			RED	1
FR.handle cover (Y-109P)	5320B-G22-000-YG			YELLOW	1
FR.handle cover (GN-4923S)	5320B-G22-000-EG			GREEN	1
15.RR.handle cover (GY-426U)	53206-G22-000-GK				1
RR.handle cover (GY-426U)	53206-G22-007-GK		1999-11-23	N	1
	modification (5 holes)			N	1



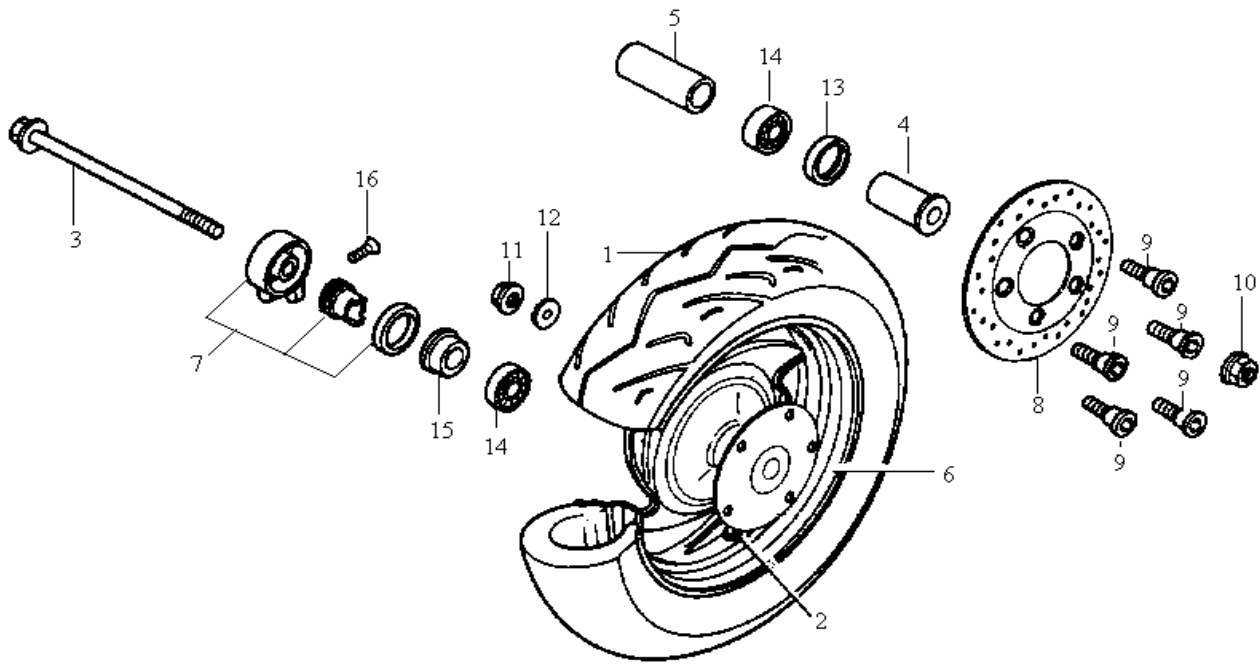
MODEL(S) G100P-9			A P P L Y	Q T Y R E Q
BLOCK NO. A-5 DESCRIPTION	PARTS NUMBER	CHANGE DATE		
18.Flange bolt 10 × 50	90106-M9Q-000			1
19.Flange u nut 10mm	90304-M9Q-000			1
20.Pan screw 5 × 7	91508-A26-000			1
21.Tapping screw 4 × 12	93903-34320			6
22.Tapping screw 4 × 12	93903-34380			4
23.Tapping screw 5×16	93903-35320			3
24.R FR. winker lens.	33402-G22-010			1
25.L FR. winker lens.	33452-G22-010			1



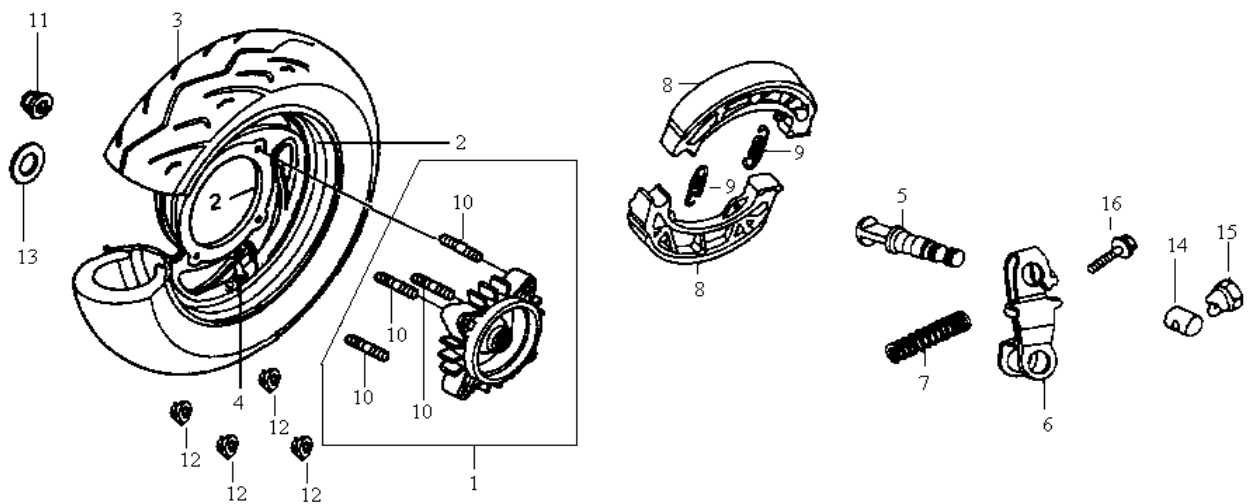
MODEL(S) G100P-9				A P P L Y	Q T Y R E Q
BLOCK NO. A-1			CHANGE DATE		
DESCRIPTION	PARTS NUMBER				
1.FR.fender assy (BK-005S)	6110A-G22-000-KQ		BLACK		1
FR.fender assy (R010CA)	6110A-G22-000-RT		RED		1
FR.fender assy (Y-109P)	6110A-G22-000-YG		YELLOW		1
FR.fender assy (GN-4923S)	6110A-G22-000-EG		GREEN		1
2.FR.under spoiler (BK005S)	61120-G22-000-KQ		BLACK		1
FR.under spoiler (R-010CA)	61120-G22-000-RT		RED		1
FR.under spoiler (Y-109P)	61120-G22-000-YG		YELLOW		1
FR.under spoiler (GN-4923S)	61120-G22-000-EG		GREEN		1
3.FR.cover (BK-005S)	6430A-G22-000-KQ		BLACK		1
FR.cover (R-010CA)	6430A-G22-000-RT		RED		1
FR.cover (Y-109P)	6430A-G22-000-YG		YELLOW		1
FR.cover (GN-4923S)	6430A-G22-000-EG		GREEN		1
4.FR.up plate (GY-426U)	64305-G22-000-GK				1
5.FR.inner cover assy (GY-426U)	6431A-G22-000-GK				1
6.Luggage hook (GY-426U)	81132-GAH-000-GK				1
7.Luggage stopper	81133-KBN-900				1
8.Special screw 6mm	90110-GZ0-000				1
9.Special screw 6mm	90164-MR4-900				5
10.Clip nut 6mm	90305-M9Q-000				2
11.Tapping screw 4 ×12	93903-34380				7



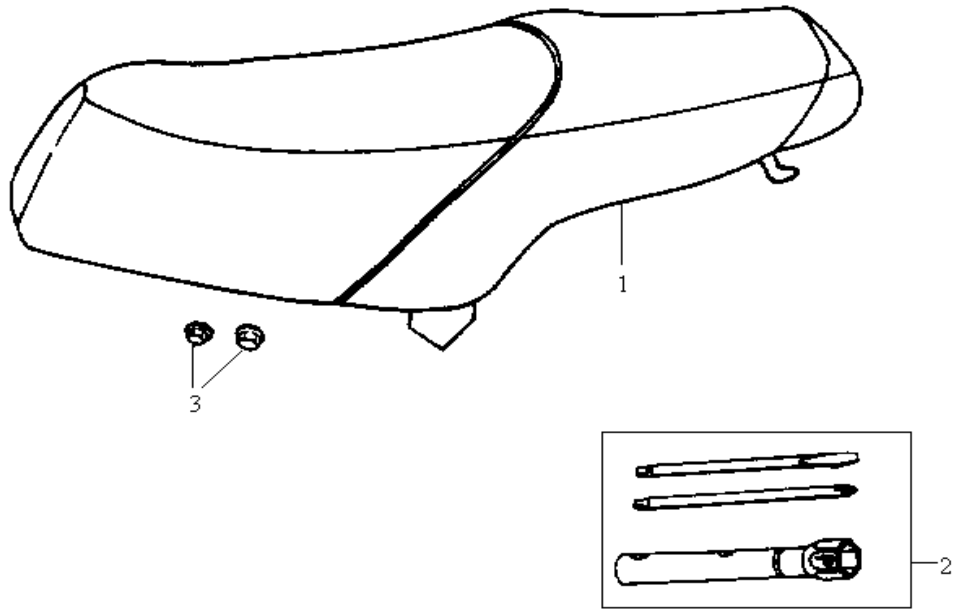
MODEL(S) G100P-9			A P P L Y	Q T Y R E Q
BLOCK NO. A-1 DESCRIPTION	PARTS NUMBER	CHANGE DATE		
1.FR.brk.hose clamp	45156-GW0-911			1
2.Strg.stem ball race set	50300-GC8-000			1
3.Strg.stem lock nut	50306-196-000			1
4.FR.R.fork assy	51400-G22-000			1
5.FR.L. fork assy	51500-G22-000			1
6.FR.fork assy	5320A-G22-000			1
7.Steering stem pipe	53200-G22-000			1
8.FR.inner fender (GY-426U)	61110-G22-000-GK			1
9.Special bolt 5mm	90112-GC3-000			2
10.Flange bolt 6 × 12	95801-06012-00			1
11.Flange bolt 8 × 40	95801-08040-00			4
12.Steel ball #5	96211-05000			2



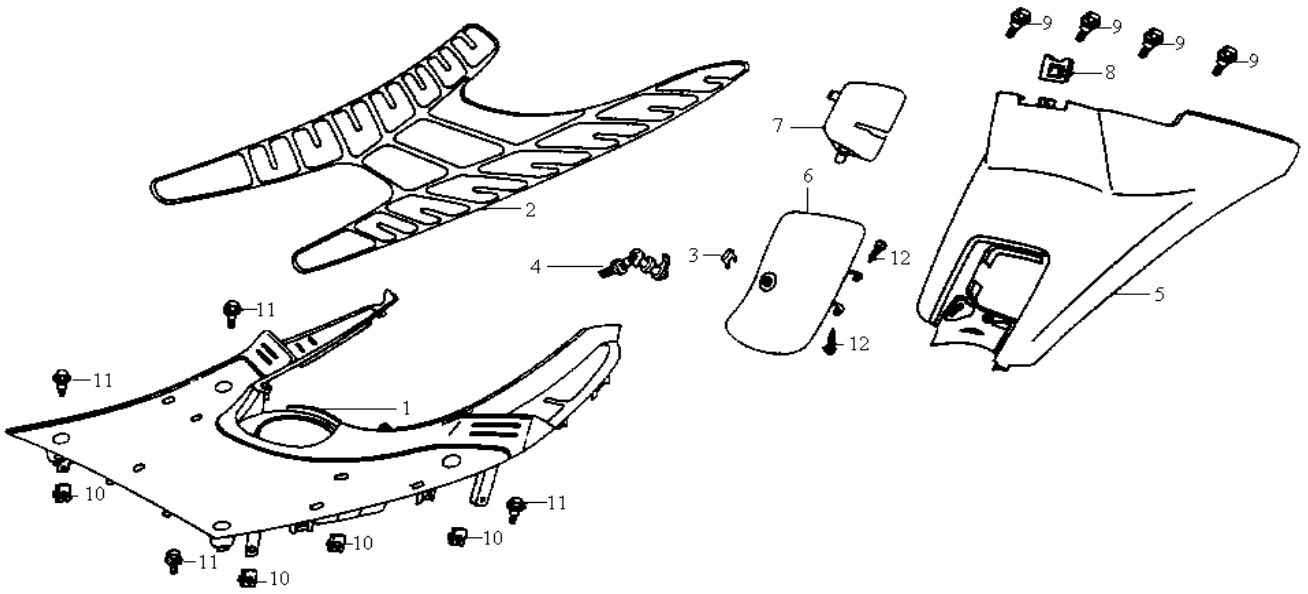
MODEL(S) G100P-9			A P P L Y	Q T Y R E Q
BLOCK NO. A-1		CHANGE DATE		
DESCRIPTION	PARTS NUMBER			
1.FR. trie (120/70-12) tubeless	44710-G22-000			1
	(1T011207012-4PR-TM1)			
2.Rim valve	42753-KJ9-000			1
3.FR.wheel axle	44301-G22-000			1
4.FR.wheel side collar	44311-GW0-910			1
5.FR.axle dist. collar comp	44620-G22-000			1
6.FR.wheel comp.(GY-1406S)	44650-G22-000-GR			1
7.Spdmt.gear box assy	44800-G22-000			1
8.FR.brake disk	45121-G22-000			1
9.FR.disk bolt 8 × 23	90112-GZ0-000			5
10.Flange u nut 12mm	90306-M9Q-000			1
11.U nut flange 8mm	90309-GW0-901-M1			1
12.Washer 8mm	90465-MC4-000			1
13.Dust seal 20 × 32× 5	90754-M9Q-000-M2			1
14.Bearing 6210 (U)	90912-M9Q-000-M1			2
15.Spdmt	91258-KM1-004			1
16.Oval screw 5 × 18	93700-05018-0A			1



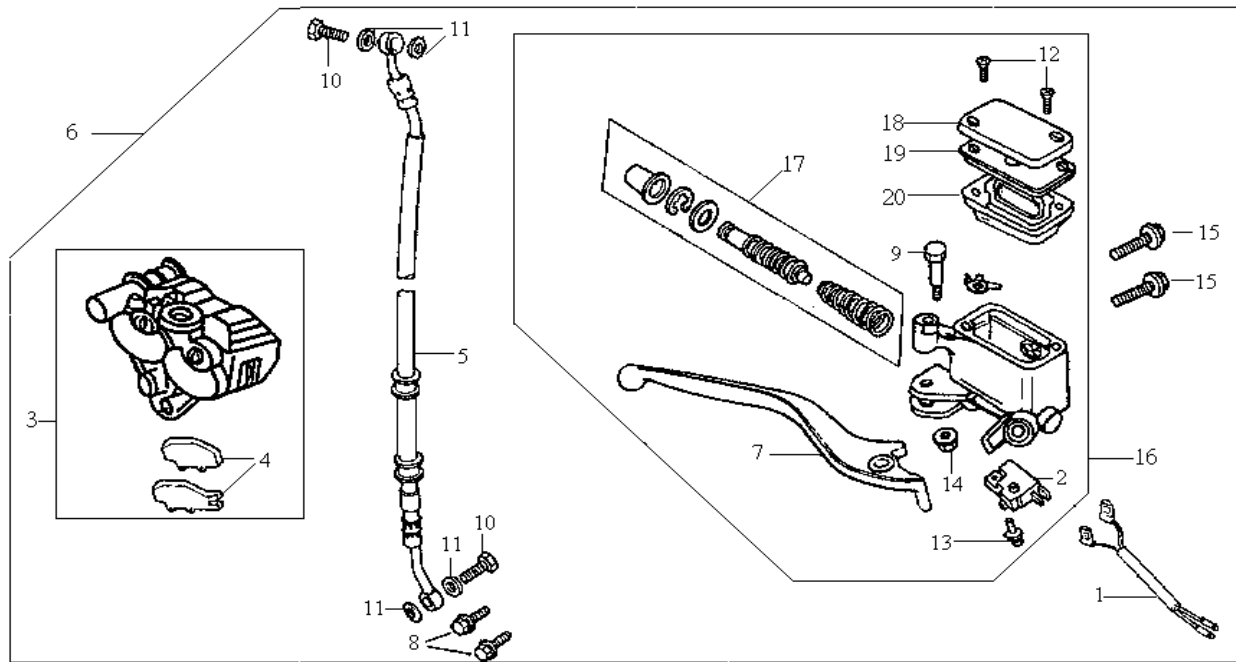
MODEL(S) G100P-9			A P P L Y	Q T Y R E Q
BLOCK NO. A-2	CHANGE DATE	DATE		
DESCRIPTION	PARTS NUMBER			
1.RR. wheel hub comp.	42601-GAK-900-GR			1
2.RR. Wheel comp.	42601-G22-000-GR			1
3.RR. tire (130/70-12 Tubeless)	42710-G22-000 (1T011307012-4PR-T)			1
4.Rim valve	42753-KJ9-000			1
5.RR.brake cam assy.	4314A-GA1-700			1
6.RR. brake arm comp.	43410-G02-000			1
7.RR. brake arm spring	43472-KG8-000			1
8.Brake shoe comp	45120-096-651		1999-06-25	2
9.Brake shoe spring	45133-028-000		Y	2
10.Stud ii bolt 8 × 24	90110-KG8-900			4
11.U nut 16mm	90305-KBN-902-M2			1
12.Flange u nut 8mm	90309-GW0-901-M1			4
13.Washer 16mm	90501-M9Q-000			1
14.Brake Arm Joint B	95015-32001			1
15.Adjust nut B	95015-42000			1
16.Flange bolt 6×32	95701-06032-00			1



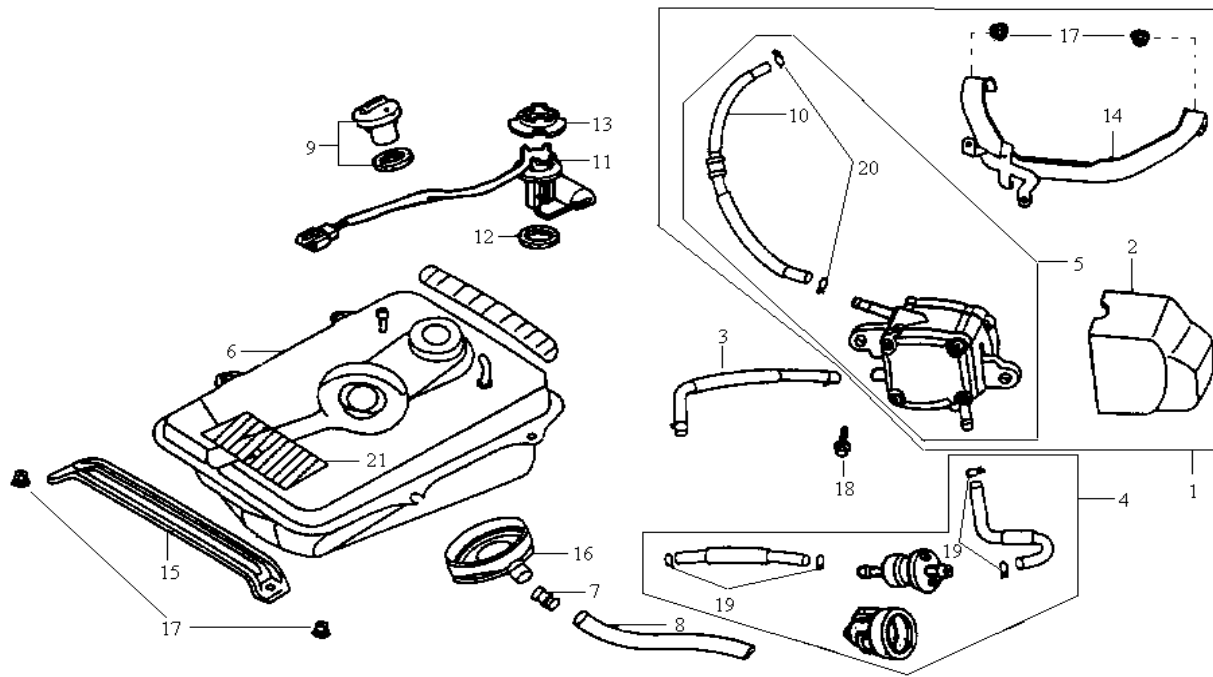
MODEL(S) G100P-9			A P P L Y	Q T Y R E Q
BLOCK NO. A-1 DESCRIPTION	PARTS NUMBER	CHANGE DATE		
1.Double seat comp.(BK-001L) 2.Tool assy. 3.Flange nut 6mm	77200-G22-000-BK 89010-KBN-000 94050-06080			1 1 2



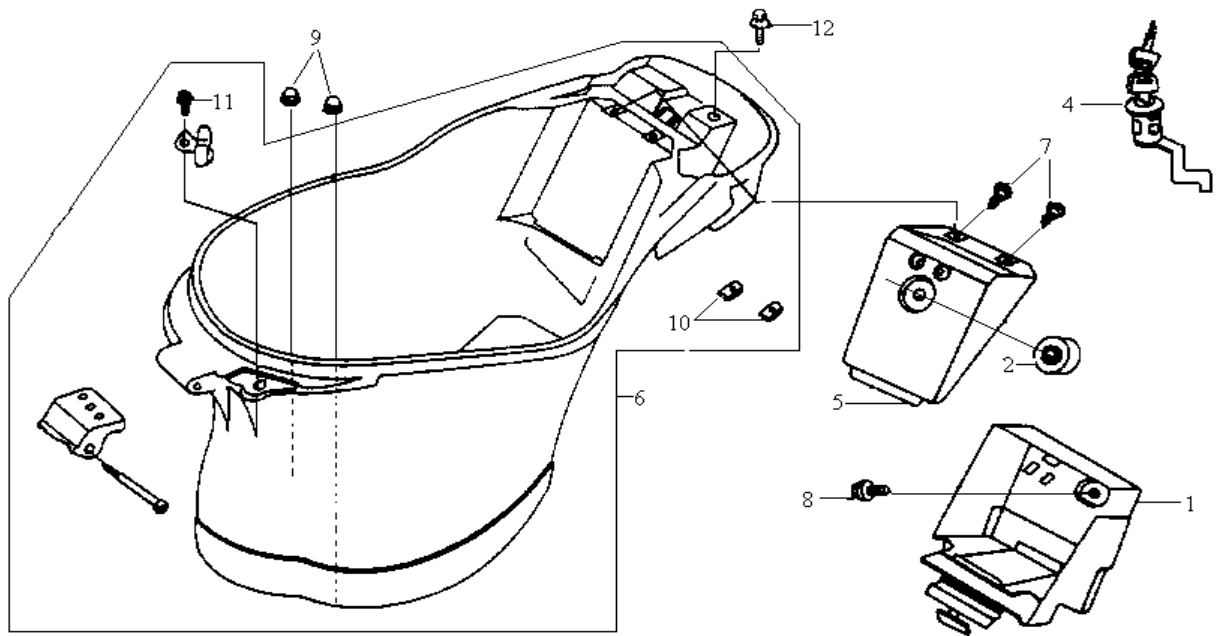
MODEL(S) G100P-9			A P P L Y	Q T Y R E Q
BLOCK NO. A-1	CHANGE DATE			
DESCRIPTION	PARTS NUMBER			
1.Floor step (GY-426U)	64310-KBN-900-GK			1
2.Floor mat (GY-426U)	64320-KBN-900-GK			1
3.Lock key set SPG.	75581-M9Q-000			1
4.Oil cap lock	77232-GW0-900			1
5.Center cover (GY-426U)	80151-KBN-900-GK			1
6.Fuel lid (GY-426U)	80152-KBN-900-GK			1
7.Plug maint.cover (GY-426U)	80153-KBN-900-GK			1
8.Clip nut 6mm	90305-M9Q-000			1
9.Special screw 6 × 17	90381-M9Q-000			4
10.Clip nut 5mm	90677-GR1-003			4
11.Washer bolt 6×20	93404-06020-00			4
12.Tapping screw 4×8	93903-24220			2



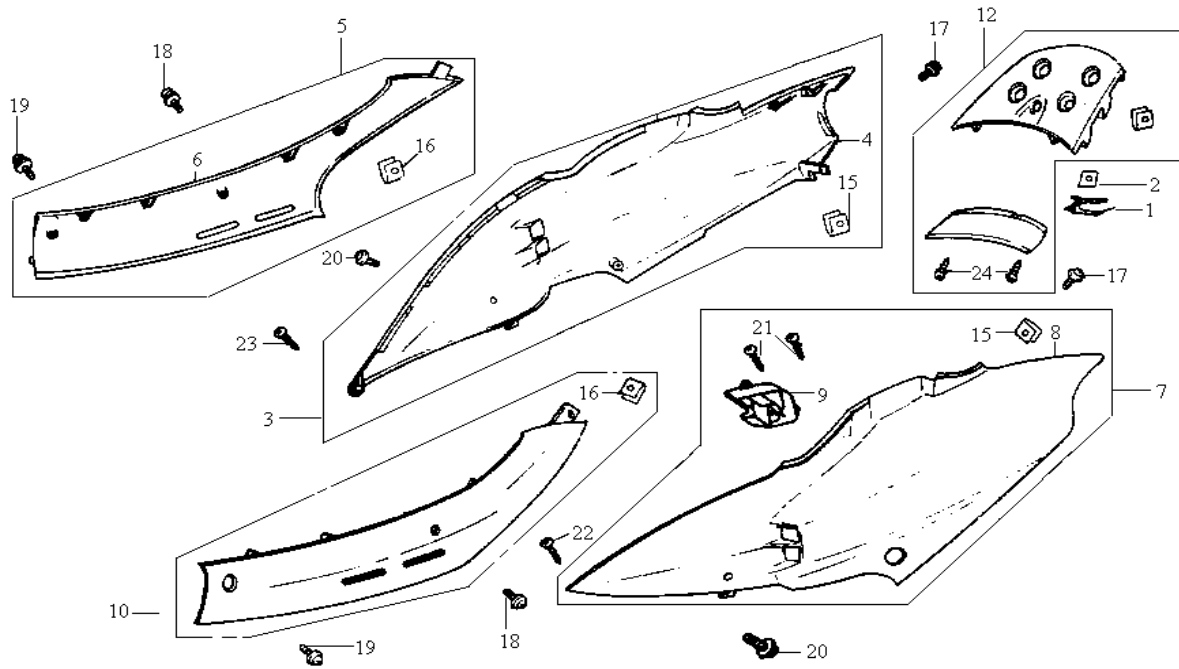
MODEL(S)			A	Q
G100P-9			P <td>T </td>	T
	BLOCK NO. A-3		L <td>R </td>	R
DESCRIPTION	PARTS NUMBER	CHANGE DATE	Y	E
				Q
1.Sub harness	32106-KBN-900			1
2.FR.stop sw. assy	35340-KBN-900	1999-12-23	N	1
3.FR. caliper	45100-G22-000			1
4. Pad comp	45105-G22-000-AC			1
5.FR. brake hose assy	45126-G22-000			1
6.FR. master cylinder assy	4550A-G22-000			1
	4550A-E69-000	2000-01-03	N	1
7.R.strg. handle lever	53175-KBN-900			1
8.Flange bolt 8 × 32	90106-H21-000			2
9.Hnadle lever bolt	90114-166-006			1
10.Oil bolt 10× 22	90145-MS9-611			2
11.Oil bolt washer	90545-300-000			4
12.Flat screw 4×12	93600-04012-1GF			2
13.Washer screw 4×12	93893-04012-08			1
14.Flange nut 6mm	94050-06000			1
15.Flange bolt SH 6×12	96001-06012-00			2
16.FR. master cylinder	45500-G22-000			1
17.Master cylinder set	45530-MN9-305			1
18.Master cylinder cap	45513-GW0-911-M1			1
19.Diaphragm plate	45521-GW0-911-M1			1
20.Diaphragm	45520-GW0-911-M1			1



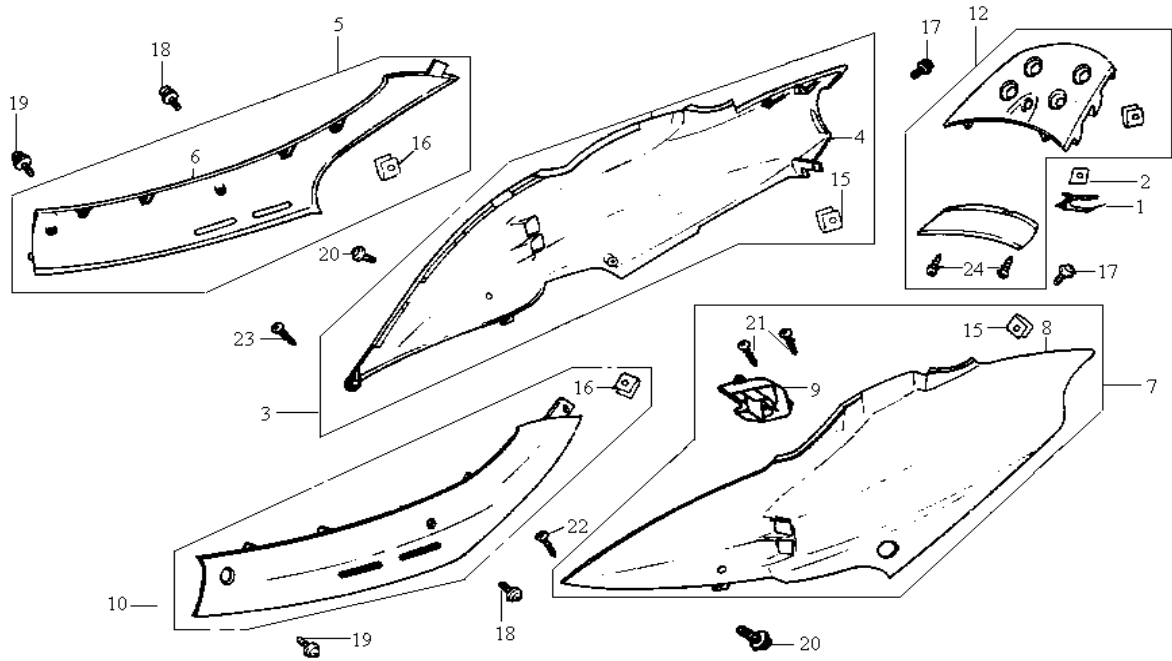
MODEL(S) G100P-9			A P P L Y	Q T Y R E Q
BLOCK NO. A-1	CHANGE DATE			
DESCRIPTION	PARTS NUMBER			
1.Fuel pump assy	1670B-KB1-000			1
2.Fuel pump cover rubber	16702-KBN-900			1
3.Pulse tube assy	1671A-GA1-900			1
4.Strainer assy	1691A-KB1-000			1
5.Fuel pump assy	1670A-KB1-000			1
6.Fuel tank comp	17500-KBN-920			1
7.Fuel tube joint	17525-KBN-900			1
8.V tube 9×11×350	17530-KBN-900			1
9.Fuel filler cap comp	17620-GS7-900			1
10.Fuel tube joint	17685-KBN-900			1
11.Fuel unit	37800-G19-000			1
12.Base packing	37801-GA7-700			1
13.Fuel unit ret	37802-GA7-700			1
14.Fuel pump stay comp	50139-KBN-902			1
15.Floor plate	50140-KBN-900			1
16.Fuel cap tpay	64330-KBN-900			1
17.Flange nut 6mm	94050-06000			4
18.Flange bolt 6×14	95701-06014-00			2
19.Tube clip B10	95002-02100			4
20.Tube clip B8	95002-02080			2
21.Fuel tank guard	17506-KBN-900-H1			1



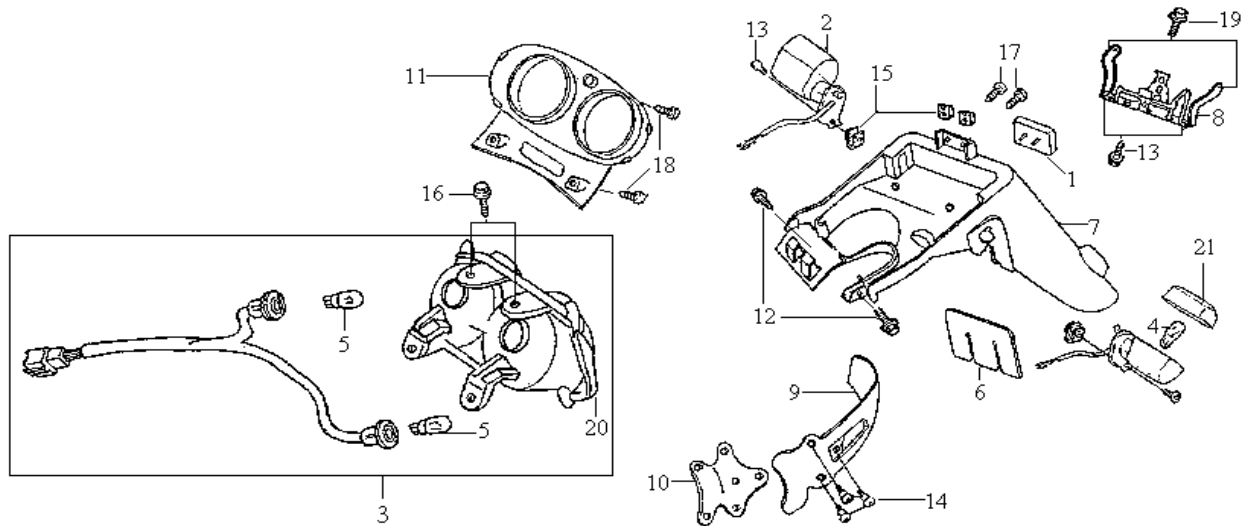
MODEL(S) G100P-9			A P P L Y	Q T Y R E Q
BLOCK NO. A-1 DESCRIPTION	PARTS NUMBER	CHANGE DATE		
1. Battery case	50325-KBN-900			1
2. Stopper rubber	50352-GJ3-600			1
4. Seat lock assy	77225-G22-000			1
5. Battery cover (GY-013U)	81251-KB1-900-GO			1
6. Luggage box assy	81260-G24-000			1
7. Special screw 5×10	90101-KBN-900			2
8. Flange bolt	90111-162-000B			1
9. Cap nut 6mm	90201-415-000			2
10. Spring nut M5	90320-HB9-000			2
11. Washer screw 5×10	93891-06010-07			1
12. Washer bolt 6×16	93404-06016-07			2



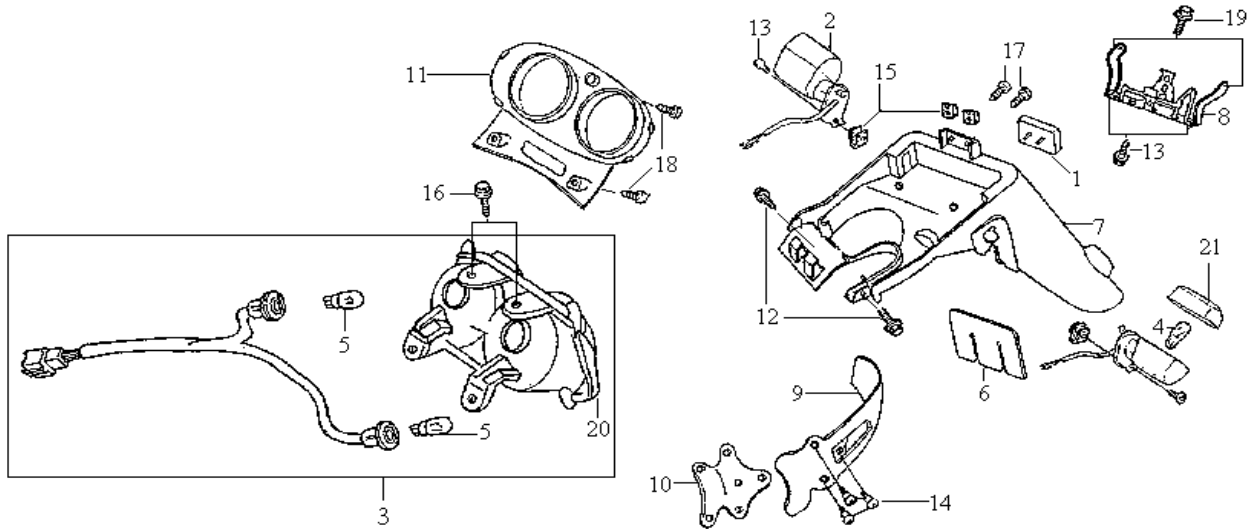
MODEL(S) G100P-9			A P P L Y	Q T Y R E Q
BLOCK NO. A-1	CHANGE DATE			
DESCRIPTION	PARTS NUMBER			
1.Lock key set spg.	77226-KY2-700	1		
2.Seat lock washer	77236-M8Q-000	1		
3.RH.body cover assy(BK-005S)	8350A-G22-000-KQ	1	BLACK	
RH.body cover assy(R-010CA)	8350A-G22-000-RT	1	RED	
RH.body cover assy(Y-109P)	8350A-G22-000-YG	1	YELLOW	
RH.body cover assy(GN-4923S)	8350A-G22-000-EG	1	GREEN	
5.RH.side cover assy(BK-005S)	8352A-G22-000-KQ	1		
RH.side cover assy(R-010CA)	8352A-G22-000-RT	1		
RH.side cover assy(Y-109P)	8352A-G22-000-YG	1		
RH.side cover assy(GN-4923S)	8352A-G22-000-EG	1		
7.LH.body cover assy(BK-005S)	8360A-G22-000-KQ	1		
LH.body cover assy(R-010CA)	8360A-G22-000-RT	1		
LH.body cover assy(Y-109P)	8360A-G22-000-YG	1		
LH.body cover assy(GN-4923S)	8360A-G22-000-EG	1		
9.Air/c. int. duct	83605-G22-000	1		
10.LH.side cover assy(BK-005S)	8362A-G22-000-KQ	1		
LH.side cover assy(R-010CA)	8362A-G22-000-RT	1		
LH.side cover assy(Y-109P)	8362A-G22-000-YG	1		
LH.side cover assy(GN-4923S)	8362A-G22-000-EG	1		
12.RR.center cover assy(BK-005S)	8375A-G22-000-KQ	1		
RR.center cover assy(R-010CA)	8375A-G22-000-RT	1		
RR.center cover assy(Y-109P)	8375A-G22-000-YG	1		



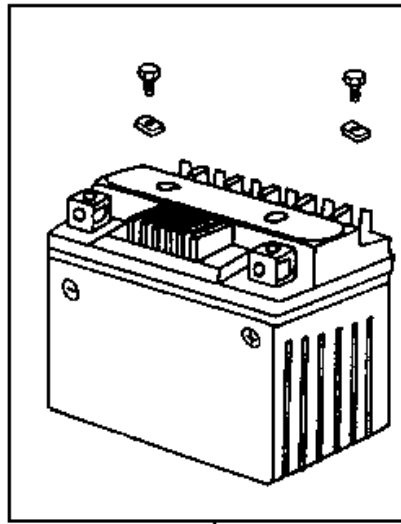
MODEL(S) G100P-9			A P P L Y	Q T Y R E Q
BLOCK NO. A-1		CHANGE DATE		
DESCRIPTION	PARTS NUMBER			
15.Clip nut 4mm	90302-SA4-003	2		
16.Clip nut 5mm	90677-GR1-003	2		
17.Washer screw 5×12	93891-05012-07	2		
18.Washer screw 5×16	93891-05016-07	2		
19.Washer screw 5×20	93891-05020-07	2		
20.Washer screw 5×16	93891-05016-07	2		
21.Tapping screw 4×12	93903-24320	2		
23.Tapping screw 5×16	93903-25320	2		
24.Tapping screw 4×12	93903-34320	2		



MODEL(S)				A P P L Y	Q T Y R E Q
G100P-9					
	BLOCK NO. A-1		CHANGE DATE		
DESCRIPTION	PARTS NUMBER				
1.RR.reflex reflector	33741-T40-010				1
2.R.RR.winker assy.	33600-G03-520				1
L.RR.winker assy.	33650-G03-520				1
3.Tail light assy.	3370A-G22-000				1
4.Lampada 12V-10W.	34905-G03-520				2
5.Bulb tail / stop light (12V 10/5W)	34906-G22-000				2
6.Splash guard plate	80104-KBN-900				1
7.RR.fender comp.	80100-G22-000-GM				1
8.Fender stay	80106-KBN-900				1
9. RR.Mudguard (Black)	80107-G22-000-KQ	BLACK			1
RR.Mudguard (Red)	80107-G22-000-RT	RED			1
RR.Mudguard (Yellow)	80107-G22-000-YG	YELLOW			1
RR.Mudguard (Green)	80107-G22-000-EG	GREEN			1
10. RR.Mudguard stay	80109-G22-000				1
11.Tail cover (BK-005S)	83800-G22-000-KQ				1
Tail cover (R-010CA)	83800-G22-000-RT				1
Tail cover (Y-109P)	83800-G22-000-YG				1
Tail cover (GN-4923S)	83800-G22-000-EG				1
12.Flange bolt 6mm	90111-162-000B				4
13.Washer screw 5×14	90118-T15-000				1
14.Special screw 6mm	90164-MR4-900				3
15.Clip nut 5mm	90677-GR1-003				2

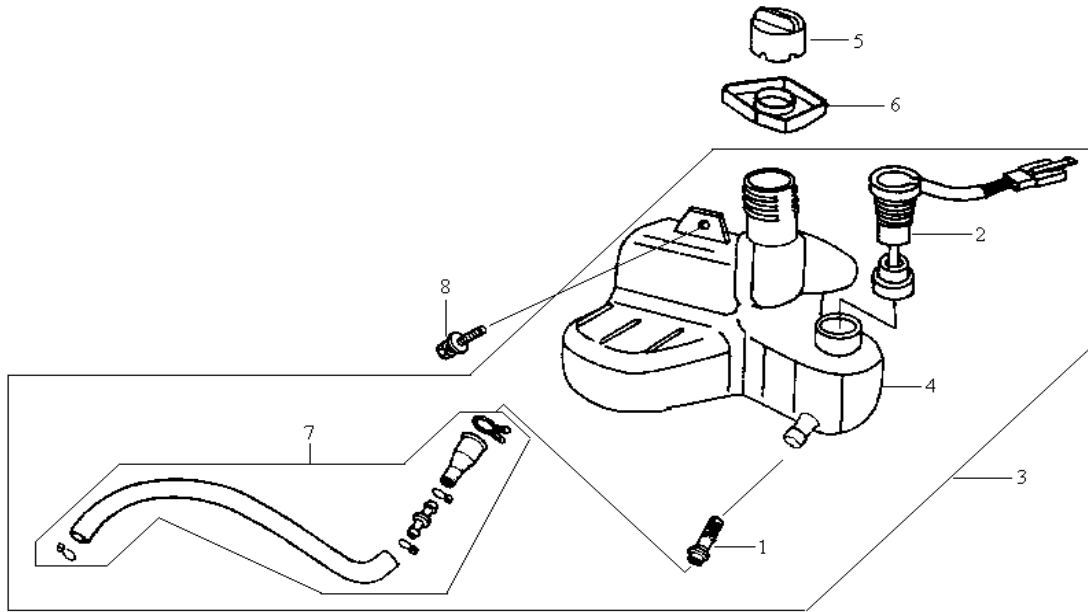


MODEL(S) G100P-9			A P P L Y	Q T Y R E Q
BLOCK NO. A-1	CHANGE DATE			
DESCRIPTION	PARTS NUMBER			
16.Washer screw 6×12	93404-06012-00			4
17.Washer screw 5×12	93891-05012-07			2
18.Tapping screw 4×12	93903-34380			2
19.Flange bolt 6×12	95701-06012-00			1
20.Tail light lens	33702-G03-520			1
21.R/L RR Winker lens	33602-G03-520			1

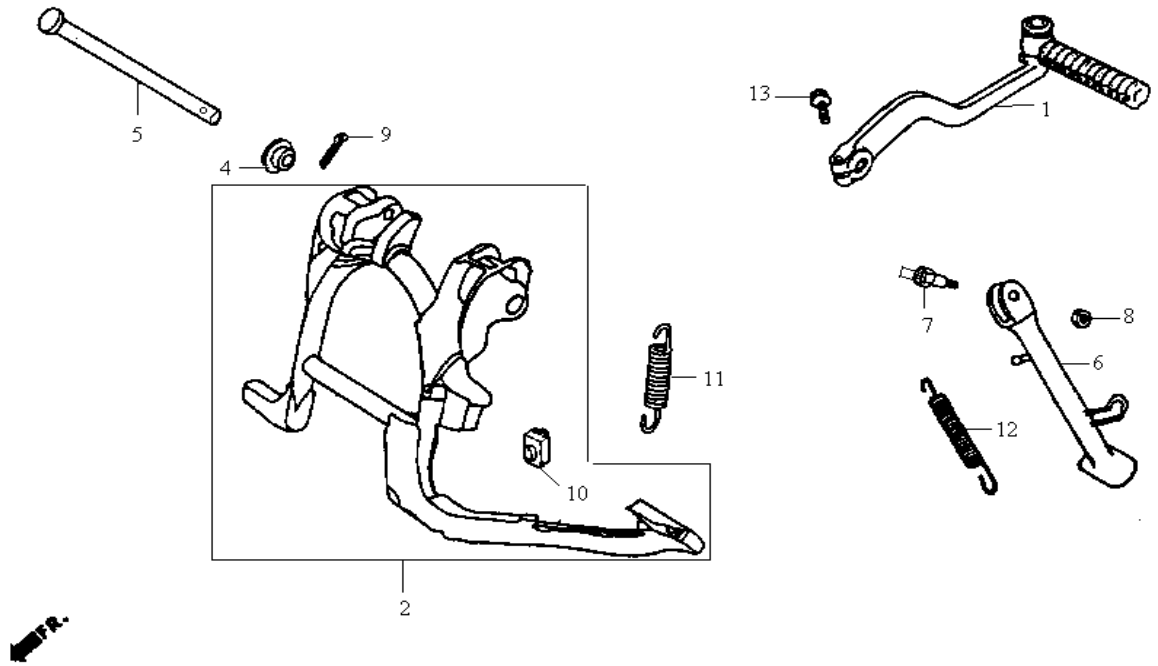


1

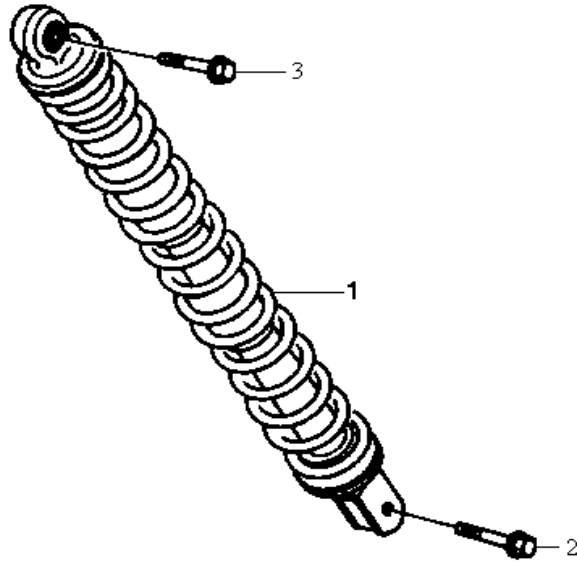
MODEL(S) G100P-9			A P P L Y	Q T Y R E Q
BLOCK NO. A-1 DESCRIPTION	PARTS NUMBER	CHANGE DATE		
1.Battery assy. YTX5L-BS (YUASA) 1Y01KBN01-Y 1Y01KBN01-Y	08-3062			1



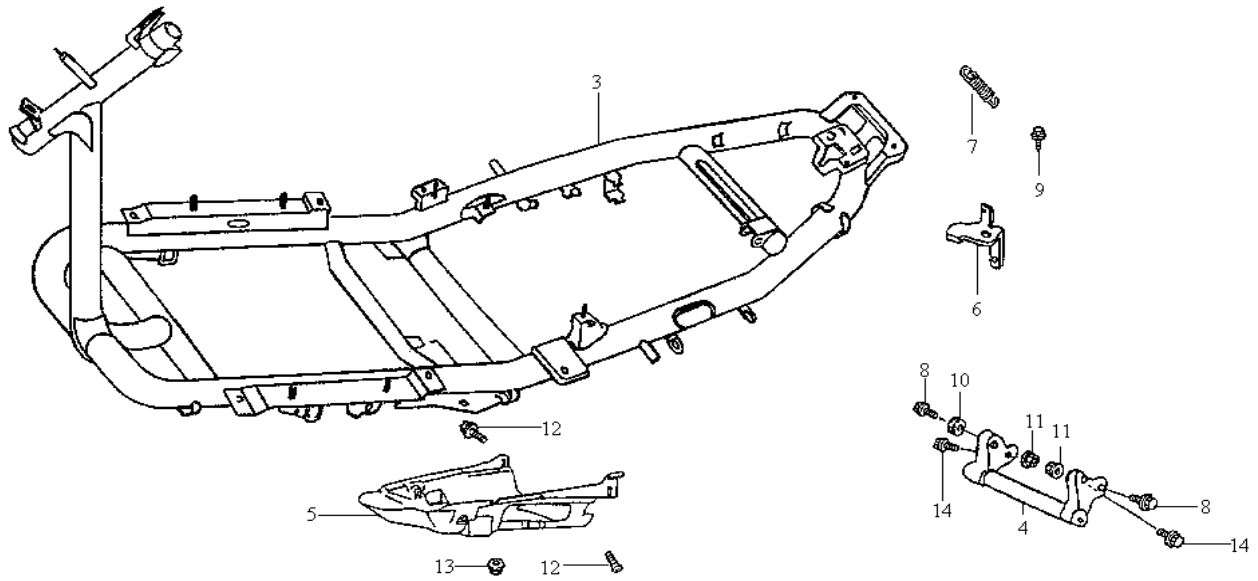
MODEL(S) G100P-9			A P P L Y	Q T Y R E Q
BLOCK NO. A-1 DESCRIPTION	PARTS NUMBER	CHANGE DATE		
1.Oil strainer	17502-187-000			1
2.Oil lever SW.comp	35410-KBN-901			1
3.Oil tank assy	5510A-G22-000			1
4.Oil tank	55100-G22-000			1
5.Oil cap assy	55105-KBN-900			1
6.Oil guide rubber	55121-KBN-900			1
7.Oil tube assy	55200-KBN-920			1
8.Washer bolt 6×16	93404-06016-07			1



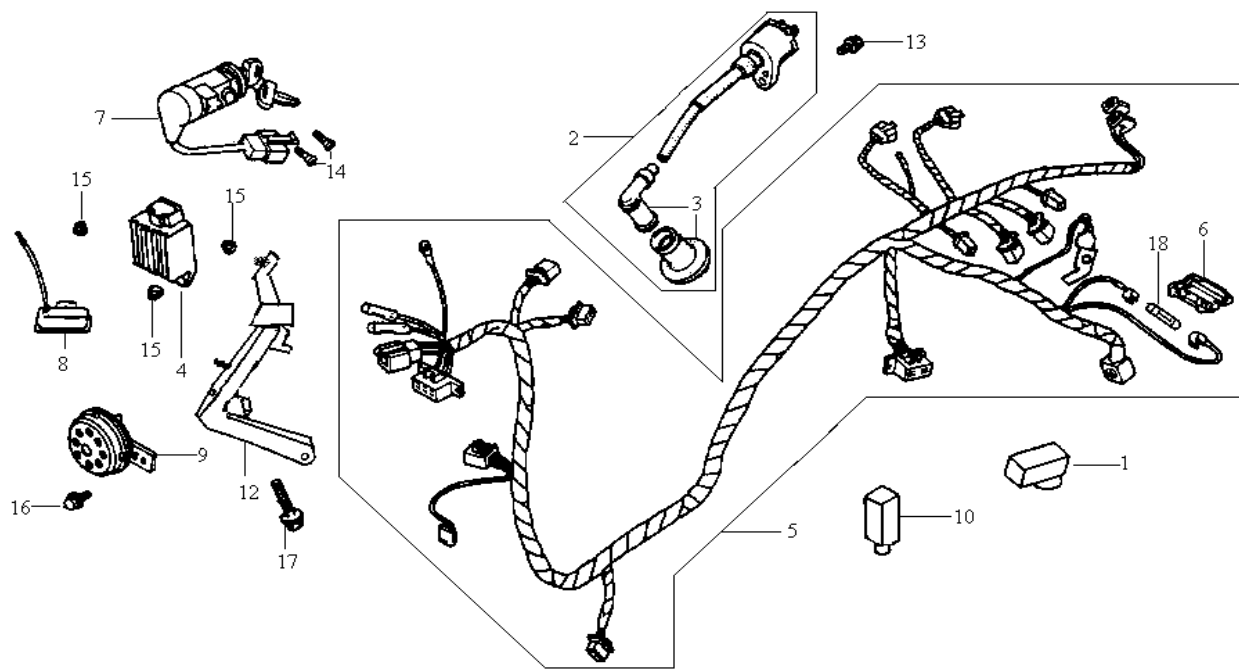
MODEL(S) G100P-9			A P P L Y	Q T Y R E Q
BLOCK NO. A-1 DESCRIPTION	PARTS NUMBER	CHANGE DATE		
1.Arm assy.kick start	28300-KBN-900			1
2.Main stand assy	5050A-G22-000			1
4.Main stand shaft rubber	50502-KBN-900			1
5.Main stand shaft	50503-KBN-900			1
6.Side stand bar comp	50530-G22-000			1
7.Side stand pivot screw	90108-M9Q-000			1
8.Hex. nut 8mm	94030-08080			1
9.Split pin 1.6	94201-16200			1
10.Stand stopper rubber A	95011-61000			1
11.Main stand SPG.D	95014-71402			1
Main stand SPG.D	50505-E69-900	1999-03-22	NO	1
12.Side stand spring	95014-72204			1
13.Flange bolt 6x22	95701-06022-07			1



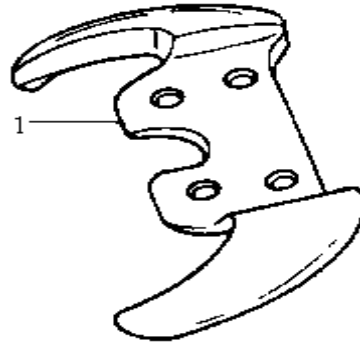
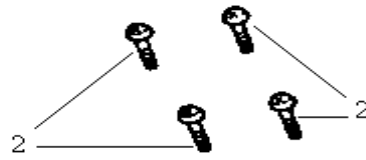
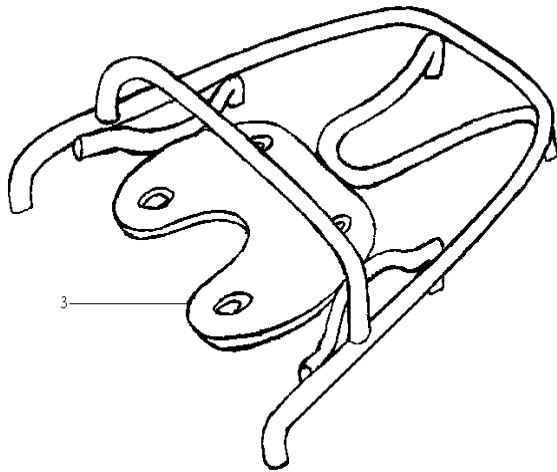
MODEL(S) G100P-9			A P P L Y	Q T Y R E Q
BLOCK NO. A-1 DESCRIPTION	PARTS NUMBER	CHANGE DATE		
1.RR.cushion assy 2.HEX.bolt 8×32 3.Flange bolt 10×35	52400-G22-000 93201-08032-0A 95801-10035-00			1 1 1



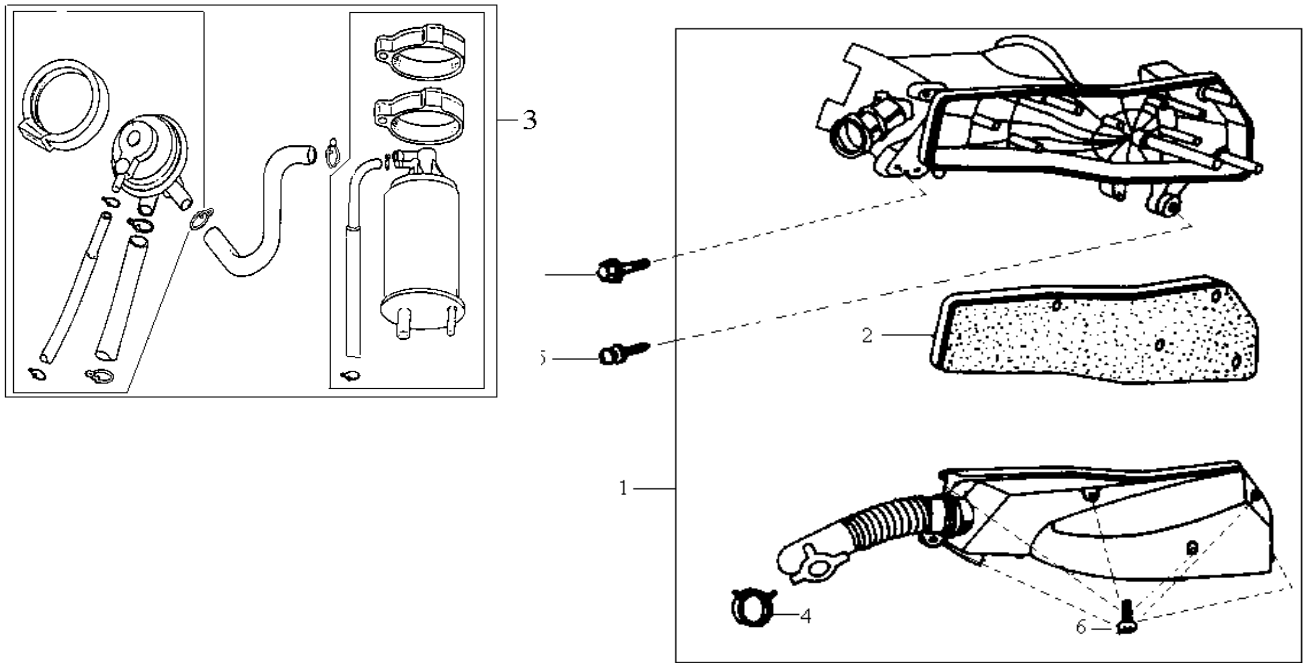
MODEL(S) G100P-9			A P P L Y	Q T Y R E Q
BLOCK NO. A-1	CHANGE DATE	DATE		
DESCRIPTION	PARTS NUMBER			
3.Frame body comp	50100-G24-000			1
4.Eng.hanger link assy	50350-KBN-900			1
5.Under cover	50621-KBN-900			1
6.Seat lock plate	77232-KBN-900			1
7.Seat lock spg.	77234-KBN-900			1
8.Flange bolt 10×55	90106-M9Q-900			2
9.Flange bolt 6mm	90112-KBN-900			1
10.Collar distance	90121-T40-000			1
11.Nut U flange 10mm	90304-M9Q-000			2
12.Washer bolt 6×16	93404-06016-07			2
13.Flange nut 6mm	94050-06070			2
14.Flange bolt 10×70	95801-10070-08			2



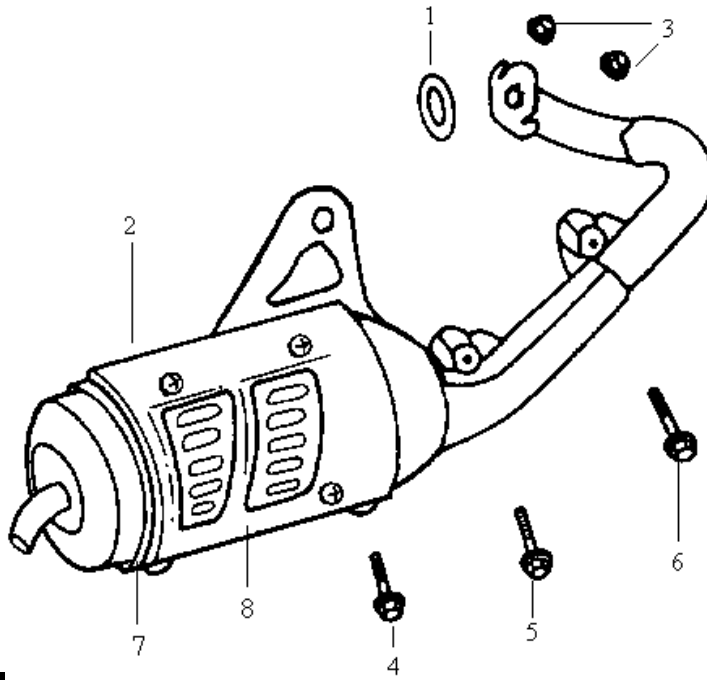
MODEL(S) G100P-9			A P P L Y	Q T Y R E Q
BLOCK NO. A-1	CHANGE DATE			
DESCRIPTION	PARTS NUMBER			
1.C.D.I. unit assy	30400-GAK-900			1
2.Ign.coil & plug cap assy	35310-KBN-900			1
3.Noise suppr. cap assy	30700-KBN-000			1
4.Reg.rec.comp	31600-KBN-920			1
5.Wire harness	32100-G22-000			1
6.7A fuse case	32121-196-003			1
7.Main switch comp	35100-G09-000			1
8.Resistor comp	35400-KBN-920			1
9.Horn comp	38110-KBN-900			1
10.Relay comp.start	38501-GW3-900			1
12.FR.cover stay	64315-G22-000			1
13.Flange bolt 5×22	90112-GK8-010			1
14.Flange screw U lock	90164-X01-000			1
15.Flange nut 6mm	94050-06080			2
16.Flange bolt 6×12	95701-06012-00			1
17.Flange bolt 6×45	95801-06045-08			2
18.Fuse 7A	98200-10700			1



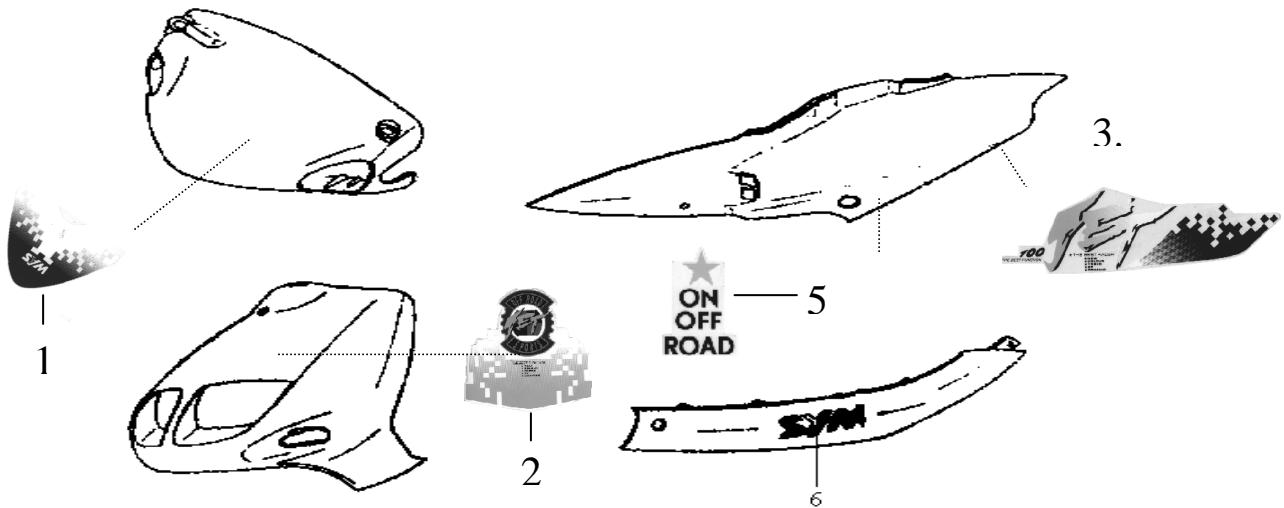
MODEL(S) G100P-9			A P P L Y	Q T Y R E Q
BLOCK NO. A-1 DESCRIPTION	PARTS NUMBER	CHANGE DATE		
1.RR. Carrier (Black)	81300-G22-000-KQ BLACK			1
RR. Carrier (Red)	81300-G22-000-RT RED			1
RR. Carrier (Yellow)	81300-G22-000-YG YELLOW			1
RR. Carrier (Green)	81300-G22-000-EG GREEN			1
2.Special bolt 8 mm	90105-G19-000			4
3.RR. Carrier (for rear box)	81200-T57-000			1



MODEL(S) G100P-9			A P P L Y	Q T Y R E Q
BLOCK NO. A-1		CHANGE DATE		
DESCRIPTION	PARTS NUMBER			
1. Air/C.SET	1720A-G22-000			1
2. Element air/C	17205-KBN-900			1
3. EEC. Set	1740A-T3D-000			1
4. Band air/C.comntube	90652-GHB-640			1
5. Bolt washer 6×35	93404-06035-07			1
6. Screw tapping 5×20	93903-25580			7
7. Bolt flange 6×25	95801-06025-07			1



MODEL(S) G100P-9	BLOCK NO. A-1	CHANGE DATE	A P P L Y	Q T Y R E Q
DESCRIPTION	PARTS NUMBER			
1.Ex. pipe gasket	18292-KR1-680			1
2.Ex. muffler assy.	1830A-G22-020			1
3.HEX. cap nut 6mm	90304-M9Q-900			2
4.Flange bolt 8×45	95701-08045-07			1
5.Flange bolt 8×55	95701-08055-07			1
6.Flange bolt 8×70	95701-08070-07			1
7.Protect A	18318-G22-000			1
8.Protect B (outside)	18319-G22-000			1



MODEL(S) G100P-9				A P P L Y	Q T Y R E Q
BLOCK NO. A-1			CHANGE DATE		
DESCRIPTION	PARTS NUMBER				
1.Fr. handle cover stripe	87124-G22-000-T1	(Black JET)			1
	87124-G22-000-T2	(Red JET)			
	87124-G22-000-T3	(Green JET)			
	87124-G22-000-T4	(Yellow JET)			
2.Fr. cover stripe	87125-G22-000-T1	(Black JET)			1
	87125-G22-000-T2	(Red JET)			
	87125-G22-000-T3	(Green JET)			
	87125-G22-000-T4	(Yellow JET)			
3.R. body cover stripe	87126-G22-000-T1	(Black JET)			1
	87126-G22-000-T2	(Red JET)			
	87126-G22-000-T3	(Green JET)			
	87126-G22-000-T4	(Yellow JET)			
4.L. body cover stripe	87127-G22-000-T1	(Black JET)			1
	87127-G22-000-T2	(Red JET)			
	87127-G22-000-T3	(Green JET)			
	87127-G22-000-T4	(Yellow JET)			
5.Body cover mark(on,off, road)	87128-G22-000-T1	(Black , Red & Green JET)			2
	87128-G22-000-T2	(Yellow JET)			
6.SYM stripe (194mm)	87122-G22-000	(Yellow JET)			2

