



Shark 50

**(BS05W-6)
BL BLS GS RS**



BS05W-6-2000E-1

07-0005

PARTS NO.	NO.	PARTS NO.	NO.	PARTS NO.	NO.
11000		17111-P6A-000	E02	22350-GN2-000	E07
11100-T5C-000	E09	17112-P6A-000	E02	22401-GN2-010	E07
11102-187-003	E09	17200-T5C-000	F20	22804-148-000	E07
11200-T5C-000	E09	17211-H3A-000	F20	23000	
11203-GC7-300	E09	1724A-H3A-000	F20	23010-T5C-910	E07
11204-KBN-900	E09	17500-H3A-000	F13	23200-GR1-750	E07
11205-GAH-003-H1	E09	1750A-T1A-000	F13	23210-GR1-750	E07
11205-KBN-900-H1	E09	17620-M62-000	F13	23220-GAK-900	E07
11206-GW0-300	E09	17621-H3A-000	F17	23233-GE8-000	E07
11208-GAK-900	E04	17623-H3A-000	F17	23237-T3F-000	E07
1120A-KG8-000	E08	17624-H3A-000	F17	23238-GS7-010	E07
11340-T52-000	E05	17625-H3A-000	F17	23411-T52-000	E08
11346-M9Q-000	F20	17660-H3A-000	F13	23420-T52-000	E08
1134B-H3A-000	F20	17770-H01-000	F13	23421-T52-000-H1	E08
11395-T52-000	E05	17910-T1A-000	F03	23422-T52-000-H1	E08
12000		18000		23431-KBN-900	E08
12100-T5C-000-A	E02	18000-T5C-900	F11	23432-T52-000	E08
12101-T5C-000	E02	18292-E60-010	F11	2343A-T52-000	E08
12191-T5C-000	E02	18293-H12-000	F11	28000	
1220A-T5C-000	E02	18318-H2B-001	F11	2823A-GA1-920	E06
12251-T5C-000	E02	18328-H3A-000	F11	28250-G22-000	E06
13000		18410-H3A-000	F11	28253-GN2-601	E06
13000-T52-000	E10	19510-GW2-900	E03	28255-GS6-000	E06
13101-T5C-000	E10	19000		28281-GN2-602	E06
13111-166-000	E10	19610-T5C-000	E01	28300-KBN-900	F17
13115-156-000	E10	19620-T5C-000	E01	30000	
13201-GAH-300	E10	19624-KBN-900-H1	E01	30410-T1A-000	F18
13202-169-003	E10	21000		30510-H3A-000	F18
13381-GAH-720-H1	E10	21200-GAK-900	E08	3051A-T36-000	F18
14000		21395-KBN-900	E08	30700-M92-000	F18
14100-P6A-000	E02	22000		31000	
15000		2201A-F3A-000	E06	31100-T5C-000	E03
1510A-T5C-000	E09	22100-GR1-750	E07	31120-T5C-000	E03
15110-T5C-000	E09	22102-GAH-720	E06	31200-T5C-000	E04
16000		22105-GAH-780	E06	31203-GAK-900	E04
16100-T5C-010	E11	22110-GR1-880	E06	31209-GAK-901	E04
1621A-GA1-900	E02	22121-GZ0-003-A	E06	31600-KBN-920	F18
1695A-T1A-000	F13	22131-GAH-780	E06	32000	
17000		22132-GW0-000-A	E06	32100-T1A-000	F18
1710A-T5C-010	E02	22300-E60-000	E07	32106-KBN-900	F09

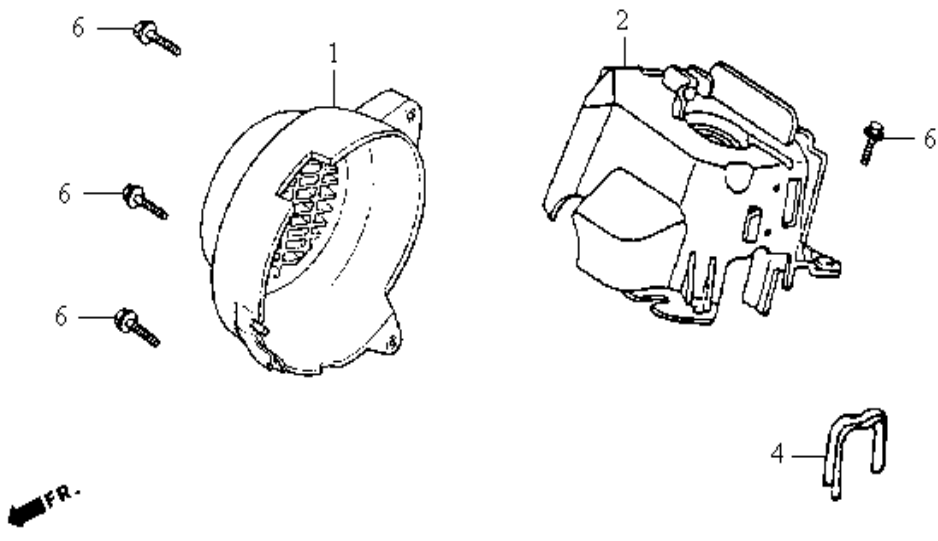
PARTS NO.	NO.	PARTS NO.	NO.	PARTS NO.	NO.
33000		43450-T1A-000	F03	51400-H3A-001	F06
33100-H3A-000	F01	43472-T5C-000	F10	51500-H3A-001	F06
33400-H3A-000	F04	44000		52000	
33450-H3A-000	F04	44301-G22-000	F08	52400-T40-000	F17
33600-H3A-000	F16	44311-GW0-910	F08	53000	
33650-H3A-000	F16	44601-H3A-000-SH	F08	53100-H3A-010	F04
33702-H3A-000	F16	44620-H3A-000	F08	53105-H3A-000	F03
3370A-H3A-010	F16	44800-G22-000	F08	53125-M9Q-000	F04
33741-H3A-000	F16	44830-H3A-600	F02	53140-H3A-000	F03
34000		45000		53166-H3A-000	F03
34901-M91-010	F01	45100-H3A-000	F09	53167-H09-000	F03
34905-B06-000-E	F04	45105-H3A-000-A	F09	53168-H09-000	F03
34905-H3A-000	F04	45121-H3A-000	F08	53172-H3A-000	F03
34906-E69-000	F16	45126-H3C-000	F09	53173-GS7-003	F03
34908-H3A-000	F01	45133-M9Q-000	F10	53175-H09-020	F09
35000		45500-H3A-000	F09	53178-M92-010	F03
35010-H3A-000	F18	50000		5317B-H3A-000	F03
35100-H3A-000	F18	50100-T1A-000	F17	53200-H3A-000	F06
35150-M9Q-000	F04	50301-M9Q-000	F06	53206-H3A-010-CO	F04
35160-M9Q-000	F04	50302-M9Q-000	F06	53206-H3A-010-NS	F04
35170-M9Q-000	F04	50306-M9Q-000	F06	53206-H3A-010-RT	F04
35180-M9Q-000	F04	5032A-T1A-000	F14	5320C-H3A-010-CO	F04
35200-M9Q-000	F04	50345-H3A-000	F17	5320C-H3A-010-NS	F04
35342-T15-000	F03	50350-T5C-010	F17	5320C-H3A-010-RT	F04
35350-M70-000	F03	5035A-H3A-000	F17	53210-H3A-000	F02
3585A-H3A-010	F18	50505-T5E-000	F19	53211-M9Q-000	F06
37000		5050A-T1A-000	F19	53212-M9Q-000	F06
3720A-T1A-000	F02	50512-H6B-000	F19	53215-M9Q-000	F06
37800-A31-000	F13	5052A-X07-980	F19	61000	
38000		50530-H3A-600	F19	61100-H3A-000-CO	F05
38110-T1A-000	F18	5053A-M70-000	F19	61100-H3A-000-NS	F05
38301-A31-000	F02	50542-M70-000	F19	61100-H3A-000-RT	F05
42000		50610-H3A-000-GK	F14	61110-H3A-000	F06
42311-H3A-000	F10	50613-H3A-000-KA	F14	61120-H3A-000-CO	F05
42601-T1A-000-SH	F10	50615-H3A-000-GK	F14	61120-H3A-000-SQ	F05
43000		50617-H3A-000-GK	F14	64000	
43120-H6B-000	F10	50620-H3A-000-GK	F14	64301-H3A-000-CO	F01
43141-H6B-010	F10	50621-H3A-000	F14	64301-H3A-000-NS	F01
43410-G2B-000	F10	50622-H3A-000	F14	64301-H3A-000-RT	F01
43415-H3A-000	F10	51000		64302-H3A-000-CO	F07

PARTS NO.	NO.	PARTS NO.	NO.	PARTS NO.	NO.
64302-H3A-000-NS	F07	83750-H3A-000-CO	F15	90301-M92-000	F11
64302-H3A-000-RT	F07	83750-H3A-000-NS	F15	90301-M9Q-900	F07
64304-H3A-000-GK	F07	83750-H3A-000-RT	F15	90301-M9Q-900	F12
64306-H12-020	F17	84000		90302-SA4-003	F02
64307-M9Q-800	F17	84702-H3A-000	F16	90302-SA4-003	F15
64308-H3A-000-GK	F07	87000		90304-M9Q-000	F04
64309-H6A-000	F07	87122-G22-000-T1	F15-1	90304-M9Q-000	F19
64318-H6B-000-GK	F07	87123-G22-000-T1	F01	90305-GW0-901-M1	F10
64320-H3A-000-GK	F14	87126-H3A-000	F15-1	90305-M9Q-000	F05
75000		87127-T1A-000	F15-1	90305-M9Q-000	F15
75581-M9Q-000	F07	88000		90306-M9Q-000	F08
75581-M9Q-000	F15	88110-H3A-000	F03	90308-SB2-013	F01
77000		88112-M9Q-000	F03	90308-SB2-013	F05
7720A-H3A-006-BK	F12	88120-H3A-000	F03	90309-M9Q-000-M2	F19
77230-H3A-000	F17	89000		90381-GZ5-000	F12
77233-M9Q-900	F07	89010-KG8-000	F19	90412-329-000	E06
77233-M9Q-900	F18	90000		90426-KBN-900	E06
77236-T53-000	F15	90001-GAK-900	E02	90429-KBN-900	E08
77239-T53-000	F15	9000A-F01-000	E05	90443-107-000	F11
77239-T53-000	F18	90035-KZ1-000	E09	90451-GN2-600	E05
80000		90105-GY6-900	F12	90488-700-000	E09
80103-H3A-000	F16	90105-H6B-900	F17	90545-300-000	F09
80105-H3A-000-KA	F16	90106-H09-000	F08	90677-GR1-003	F07
80151-H3A-000-GK	F15	90106-M9Q-000	F04	90677-GR1-003	F14
81000		90106-M9Q-000	F17	90677-GR1-003	F15
8120A-H3A-000-CO	F16	90108-G03-000	F19	90741-035-000	E10
8120A-H3A-000-NS	F16	90110-GZ0-000	F01	90754-M9Q-000-M2	F08
8120A-H3A-000-RT	F16	90110-T53-000	F09	90912-M9Q-000-M1	F08
8125A-T1A-000-KA	F12	90111-M9Q-000	F14	91000	
83000		90114-V02-000	F20	91001-GA7-701	E07
8350G-T1A-000-CO	F15	90115-M9Q-000	F03	91001-GAK-900-H1	E10
8350G-T1A-000-NS	F15	90117-T15-000	F05	91001-GW0-901-E1	E10
8350G-T1A-000-RT	F15	90121-M9Q-000	F17	91004-KBN-921-M1	E09
8352G-H3A-000-CO	F15	90131-GW0-910	F09	91004-KN2-901	E08
8352G-H3A-000-SQ	F15	90145-MS9-611	F09	91004-KN2-901	E09
8360G-T1A-000-CO	F15	90164-MR4-900	F05	91006-E62-000	E10
8360G-T1A-000-NS	F15	90164-X01-000	F18	91009-GE0-003-M1	E08
8360G-T1A-000-RT	F15	90185-M3F-000	F16	91102-GW0-008-E1	E10
8362G-H3A-000-CO	F15	90185-T31-000	F03	91103-GR1-003	E07
8362G-H3A-000-SQ	F15	90202-187-000	E07	91201-F01-000	E09

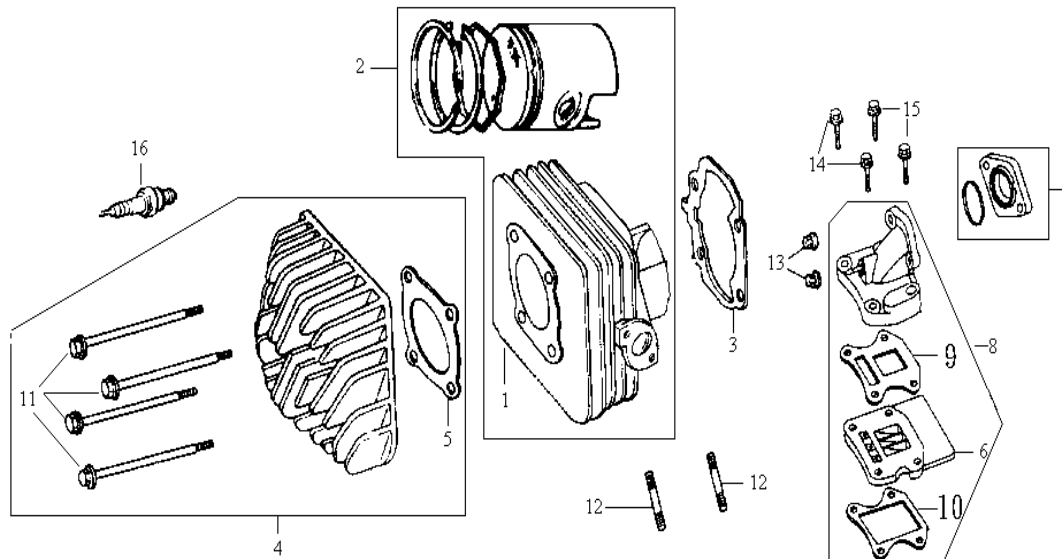
PARTS NO.	NO.	PARTS NO.	NO.	PARTS NO.	NO.
91202-F01-000	E09	94050-08000	E08	96001-06045-00	E09-1
91204-KBN-901-M1	E09	94050-10000	E03	96001-06055-00	E09-1
91211-GK8-003	E07	94050-10000	E07	96211-05000	F06
91255-GE0-003	E08	94301-10200	E05	96211-08000	F06
91258-M9Q-000-M2	F08	94301-10200	E08	DRIVE BELT	
91301-166-000	E09-1	94301-10200	E09-1	1B01T5201	E07
91301-KA5-741	E07	94511-14000	E05	SPARK PLUG	
91302-PA9-003	E07	94520-24000	E07	1PBR8HSA-3	E02
91309-283-005	E04	94591-21000	F07	TIRE	
91508-A26-000	F04	95000		1T011009012-4PR	F08
92000		95002-02650-0A	E09-1	1T011307012-4PR-DM	F10
92700-06028-1B	E02	95015-32001	F10	BATTERY	
93000		95015-42000	F10	1Y01KV701-Y	F18
93404-06012-08	F16	95701-06032-00	F10		
93404-06016-08	F20	95701-08012-00	E09-1		
93891-05016-07	F14	95701-08035-00	E09-1		
93891-05016-07	F15	95701-08040-00	E09-1		
93891-06016-07	F16	95701-08050-08	F06		
93892-05012-08	F11	95801-06012-08	F06		
93892-06016-08	F11	95801-06012-08	F17		
93903-25480	F20	95801-06012-08	F18		
93903-34320	F02	95801-06016-08	F12		
93903-34320	F04	95801-06016-08	F13		
93903-34320	F07	95801-06020-08	F13		
93903-34320	F14	95801-06022-07	F17		
93903-34320	F15	95801-08012-08	F18		
93903-34380	F16	95801-08032-08	F17		
93903-34480	F04	95801-08038-07	F11		
93903-35220	F04	95801-08120-07	F11		
93903-35320	F01	95801-10040-08	F17		
93903-35320	F05	96000			
93903-35320	F14	96001-06012-00	E03		
93903-35380	F07	96001-06016-00	E03		
93903-35380	F14	96001-06020-07	F03		
94000		96001-06022-00	E02		
94001-05000-0S	F03	96001-06022-00	E03		
94001-12200-0S	E06	96001-06025-00	E01		
94050-06000	E02	96001-06025-00	E04		
94050-06000	F12	96001-06032-00	E02		
94050-06080	F17	96001-06032-00	E09-1		

COLOR PARTS INDEX FOR " BS05W-6 "

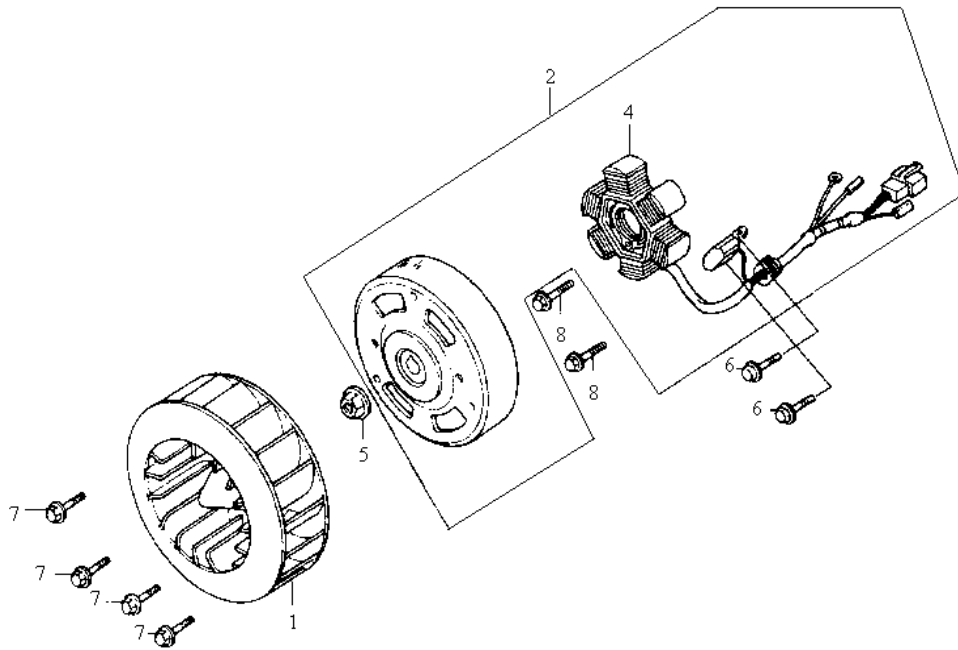
N O	MODEL		BS05W-6		BS05W-6		BS05W-6		BHS05W-6	
	BASIC COLOR		RED/SILVER		BLUE/SILVER		GREEN/SILVER		BLUE	
		CODE	R-010CAS -880S	RS	BU-4035S /S-880S	BLS	GN-4826S /S-880S	GS	BU-4035S	BL
Item	Parts Number	Description	Basic color	code	Basic color	code	Basic color	code	Basic color	code
1	42601-T1A-000	RR.WHEEL CAST. COMP	S-877C	SH	S-877C	SH	S-877C	SH	S-877C	SH
2	44601-H3A-000	FR.WHEEL CAST. COMP	S-877C	SH	S-877C	SH	S-877C	SH	S-877C	SH
3	50610-H3A-000	FLOOR PANEL	BK-001U	KA	BK-001U	KA	BK-001U	KA	BK-001U	KA
4	50613-H3A-000	UNDER COVER	BK-001U	KA	BK-001U	KA	BK-001U	KA	BK-001U	KA
5	5061B-T1A-000	R. SIDE STEP	GY-426U	GK	GY-426U	GK	GY-426U	GK	GY-426U	GK
6	5061C-T1A-000	L. SIDE STEP	GY-426U	GK	GY-426U	GK	GY-426U	GK	GY-426U	GK
7	50620-H3A-000	BATTERY LID	BK-001U	KA	BK-001U	KA	BK-001U	KA	BK-002U	KA
8	5320C-H3A-010	FR.HANDLE COVER ASS	R-010CA	RT	BU-4035S	CO	GN-4826S	NS	BU-4035S	CO
9	53206-H3A-010	RR.HANDLE COVER	R-010CA	RT	BU-4035S	CO	GN-4826S	NS	BU-4035S	CO
10	61100-H3A-000	FR. FENDER	R-010CA	RT	BU-4035S	CO	GN-4826S	NS	BU-4035S	CO
11	61120-H3A-000	FR UNDER SPOILER ASS	S-880S	SQ	S-880S	SQ	S-880S	SQ	BU-4035S	CO
12	64302-H3A-000	FR. TOP COVER	R-010CA	RT	BU-4035S	CO	GN-4826S	NS	BU-4035S	CO
13	64304-H3A-000	INNER BOX ASSY	BK-001U	KA	BK-001U	KA	BK-001U	KA	BK-001U	KA
14	64308-H3A-000	FR. INNER BOX LID	BK-001U	KA	BK-001U	KA	BK-001U	KA	BK-001U	KA
15	64301-H3A-000	FR. COVER ASSY	R-010CA	RT	BU-4035S	CO	GN-4826S	NS	BU-4035S	CO
16	64318-H6B-000	FRAME NUMBER LID	BK-001U	KA	BK-001U	KA	BK-001U	KA	BK-001U	KA
17	64320-H3A-000	FLOOR MAT	BK-001U	KA	BK-001U	KA	BK-001U	KA	BK-001U	KA
18	7720A-H3A-000	DOUBLE SEAT COMP	BK-001L	BK	BK-001L	BK	BK-001L	BK	BK-002L	BK
19	80105-H3A-000	RR. INNER FENDER	BK-001U	KA	BK-001U	KA	BK-001U	KA	BK-001U	KA
20	80107-T5C-000	RR. MUDGARD	BK-001U	KA	BK-001U	KA	BK-001U	KA	BK-001U	KA
21	80151-H3A-000	CENTER COVER	BK-001U	KA	BK-001U	KA	BK-001U	KA	BK-001U	KA
22	8120A-H3A-000	RR. CARRIER ASSY	R-010CA	RT	BU-4035S	CO	GN-4826S	NS	BU-4035S	CO
23	8125A-T1A-000	LUGGAGE BOX ASSY	BK-001U	KA	BK-001U	KA	BK-001U	KA	BK-001U	KA
24	8350G-T1A-000	R. BODY COVER ASSY	R-010CA	RT	BU-4035S	CO	GN-4826S	NS	BU-4035S	CO
25	83520-H3A-000	R. SIDE COVER ASSY	S-880S	SQ	S-880S	SQ	S-880S	SQ	BU-4035S	CO
26	8360G-T1A-000	R RR. SIDE COVER ASSY	R-010CA	RT	BU-4035S	CO	GN-4826S	NS	BU-4035S	CO
27	83620-H3A-000	L. SIDE COVER ASSY	S-880S	SQ	S-880S	SQ	S-880S	SQ	BU-4035S	CO
28	83750-H3A-000	RR. CENTER UP. COVER	R-010CA	RT	BU-4035S	CO	GN-4826S	NS	BU-4035S	CO



MODEL(S) BS05W-6(SHARK50)			A P P L Y	Q T Y R E Q
BLOCK NO. A-1	DESCRIPTION	CHANGE DATE		
1.06-0101-1	Fläktkåpa komplett			1
2. 06-0102-1	Kylplåtar cylinder komplett			1
4. 08-3056	Gummitätning			1
6. 06-0103	Skruv kylplåtar 6x25			4



MODEL(S) BS05W-6(SHARK50)			A P P L Y	Q T Y R E Q
BLOCK NO. A-1		CHANGI DATE		
PARTS NUMBER	DESCRIPTION			
1. 06-0202-1	Cylinder.			1
2. 06-1002-1	Kolv ej ringar,bult			1
3. 06-0203-1	Cylinderfotspackning			1
4. 06-0204-1	Topplock			1
5. 06-0205-1	Topplockspackning			1
6. 06-0206-1	Reedventil komplett			1
7. 06-0207	Förgasarisolatorsats			1
8. 1710A-T1A-000	Inlet pipe comp.			1
9. 06-0209-1	Insugningspackning övre			1
10. 06-0210-1	Insugningspackning nedre			1
11.06-0211	Topp/cylinderbult 7x100			4
12. 06-0212	Pinnbult avgasfläns 6x28			2
13.06-0213	Mutter 6mm			2
14. 06-0214	Bult 6x22			2
15. 06-0928	Flänsbult motorbleck 6x32			2
16. 06-0216	Tändstift(BR8HSA)			1



MODEL(S)
BS05W-6(SHARK50)

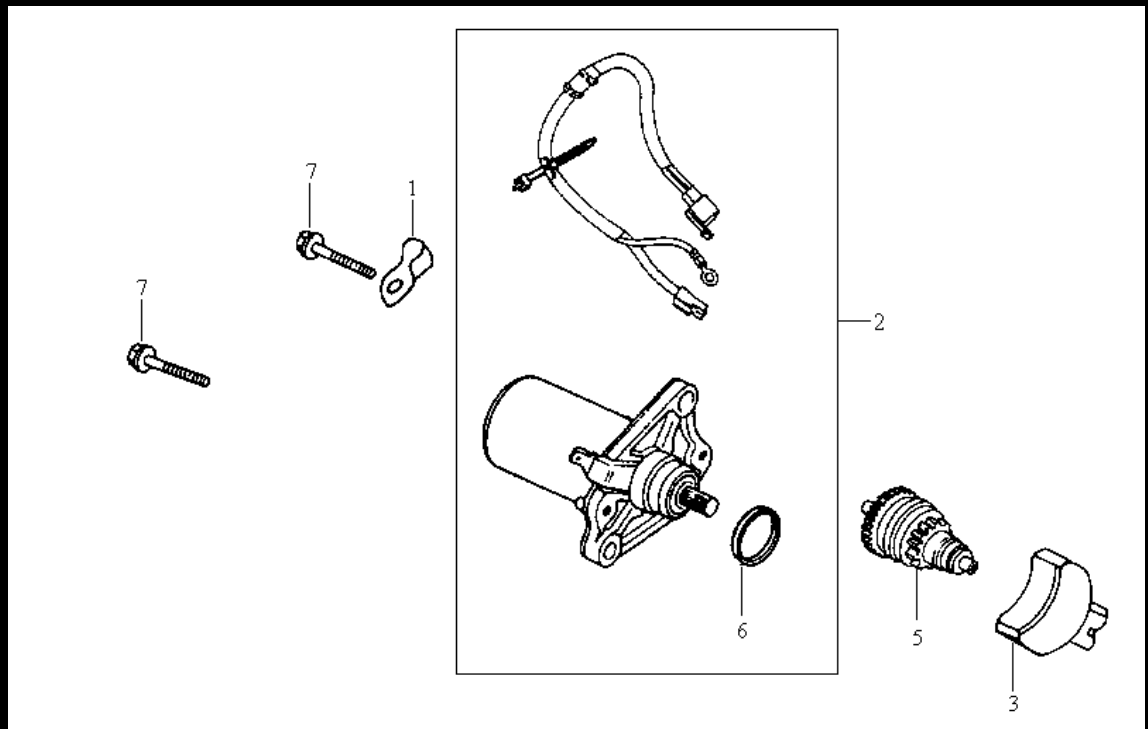
BLOCK NO. A-1

CHANGE
DATE

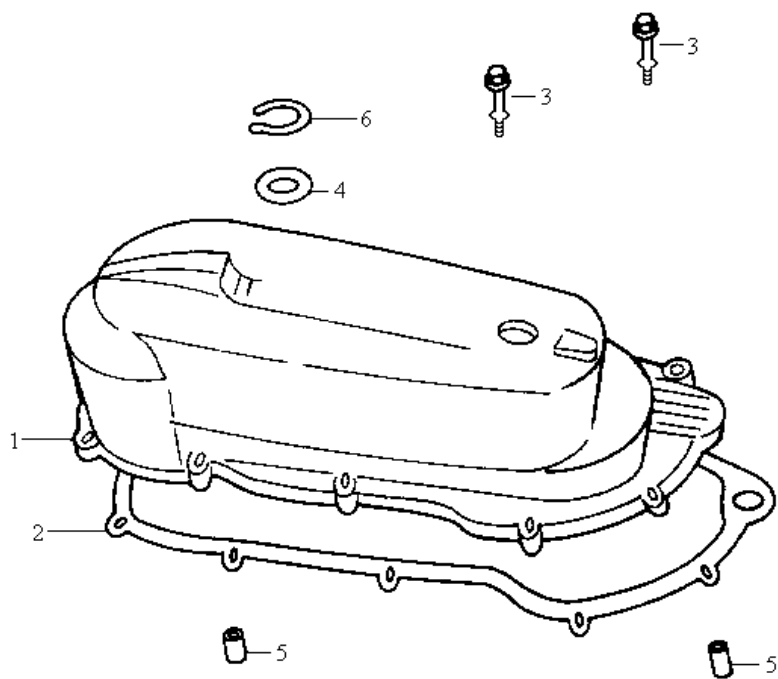
A
P
P
L
Y

Q
T
Y
R
E
Q

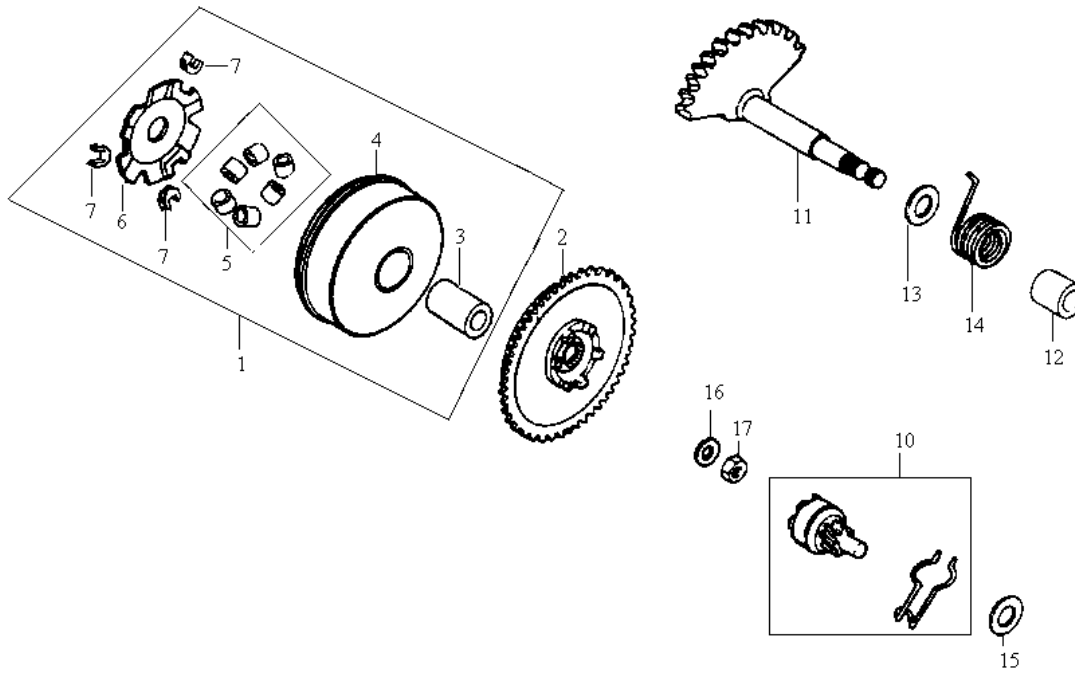
PARTS NUMBER	DESCRIPTION	CHANGE DATE	A P P L Y	Q T Y R E Q
1. 06-0301-1	Kylfläkt			1
2. 06-0302-1	Svänghjulsmagnet			1
4. 06-0304-1	Stator kompl.			1
5. 06-0305	Flänsmutter 10mm			1
6. 07-1015	Flänsbult 6x12			2
7. 06-0307	Skruv fläkt 6x16			4
8. 06-0214	Bult 6x22			2



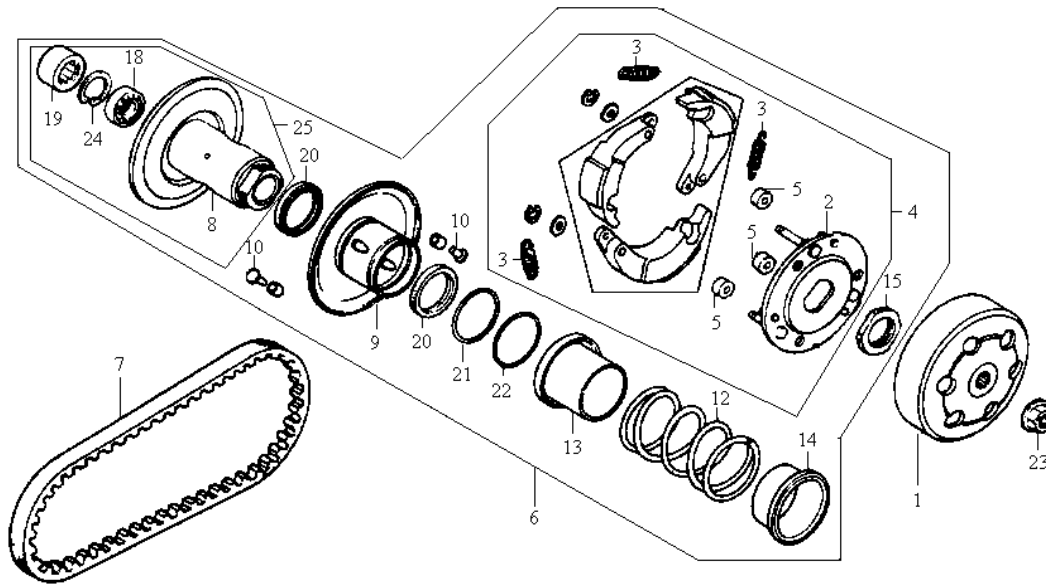
MODEL(S) BS05W-6(SHARK50)			A P P L Y	Q T Y R E Q
BLOCK NO. A-1		CHANGI DATE		
PARTS NUMBER	DESCRIPTION			
1. 06-0401	Klämma kabel			1
2. 06-0402-1	Startmotor kompl.			1
3. 06-0403	Hållare startmotor			1
5. 31209-GR1-004	Pinion assy. starter			1
6. 08-4548	O-ring 42.5×2			1
7. 06-0103	Skruv kylplåtar cylinder 6×25			2



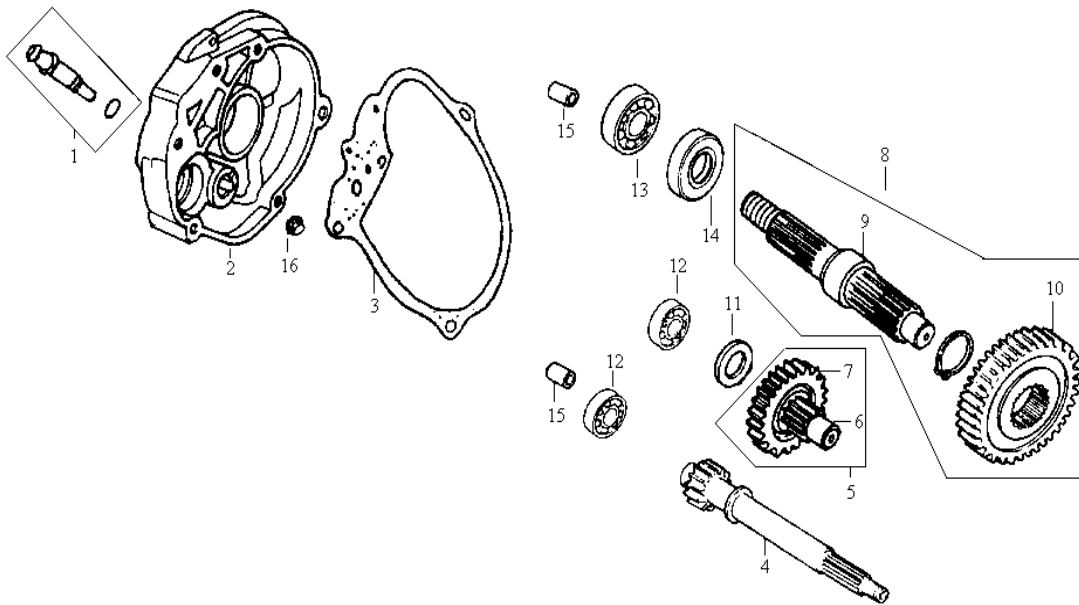
MODEL(S) BS05W-6(SHARK50)			A P P L Y	Q T Y R E Q
BLOCK NO. A-1		CHANG DATE		
PARTS NUMBER	DESCRIPTION			
1. 06-0501	Variatorkåpa			1
2. 06-0502	Packning variatorkåpa			1
3. 06-0503	Special bult variatorkåpa 6x28			9
4. 06-0504	Kickaxelbricka			1
5. 06-0505	Styrstift variatorkåpa 10x20			2
6. 06-0506	Låsring kickaxel 14mm			1



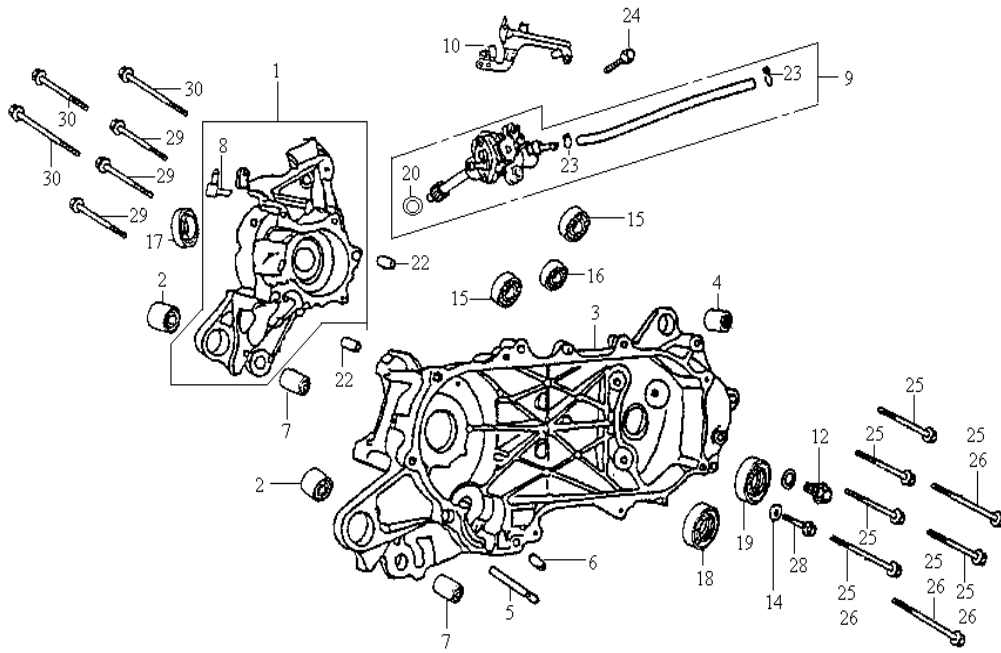
MODEL(S) BS05W-6(SHARK50)			A P P L Y	Q T Y R E Q
BLOCK NO. A-1		CHANG E D A T E		
PARTS NUMBER	DESCRIPTION			
1. 06-0601-1	Variator kompl. Främre			1
2. 06-0602	Yttre främre variatorhalva			1
3. 06-0603	Glidbussning variator			1
4.06-0604	Variatorhalva främre			1
5. 06-0605-1	Variatorvikter std.. 7.5GR			6
6. 08-4066	Viktplatta			1
7. 06-0607	Gummi mellanlägg variator			3
10. 06-0610	Drivenhet kickstart			1
11.06-0611	Kickstartaxel inkl.segment			1
12. 06-0612	Bussning kickstartaxel			1
13. 06-0613	Bricka kickstartaxel yttre			1
14. 06-0614	Kickfjäder			1
15. 06-0615	Bricka kickstartaxel inre10mm			1
16. 06-0616	Special bricka 12mm			1
17. 06-0617	Mutter variator 12mm			1



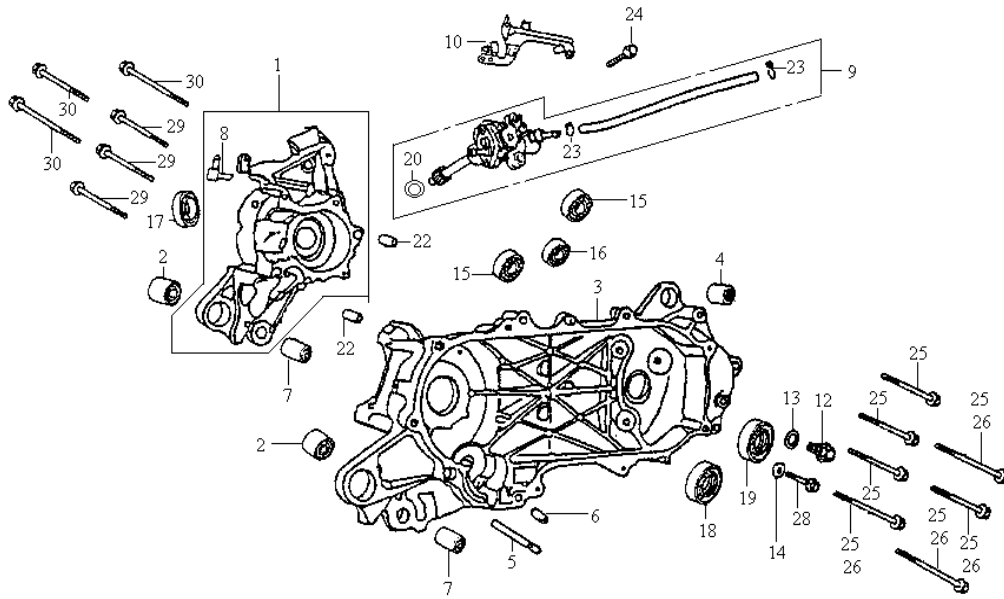
MODEL(S) BS05W-6(SHARK50)			A	Q
BLOCK NO. A-1		CHANGI	P	T
PARTS NUMBER	DESCRIPTION	DATE	L	R
			Y	E
			Q	Q
1. 06-0701	Variatortrumma bakre			1
2. 06-0702-1	Kopplingsplatta			1
3. 06-0703	Kopplingsfjadrar			3
4. 06-0702	Koppling kompl.			1
5. 06-0705	Gummidistans startbackar			1
6. 06-0706-1	Bakre variator kompl.			1
7. 06-0707	Variatorrem			1
8. 06-0708	Variatorhalva inre bak			1
9. 06-0709-1	Variatorhalva yttre bak			1
12. 06-0712	Tryckfjäder variator bak			1
13. 06-0713-1	Tryckfjäderhylsa inrt			1
14. 06-0714	Tryckfjäderhylsa yttre			1
15. 06-0715	Special mutter variator 28mm			1
18. 06-0718	Radiallager bakre variator.6901U			1
19. 06-0719	Nållager bakre variator.17x25x18ws			1
20. 08-3405	Packbox 34x39x3			2
21. 06-0721	O-ring variator 36x1.5			1
22. 06-0722	O-ring variator 39.8x2.2			1
23. 06-0305	Flänsmutter 10mm			1
24. 06-0724	Låsring variator			1
25. 08-4073	Inre variatorhalva (sekundär)			1



MODEL(S) BS05W-6(SHARK50)			A	Q
BLOCK NO. A-1		CHANGI	P	T
PARTS NUMBER	DESCRIPTION	DATE	L	R
			Y	E
			Q	Q
1. 06-0801	Excenteraxel bakbroms			1
2. 06-0802	Slutväxelkåpa			1
3. 08-3064	Packning slutväxelkåpa			1
4. 06-0804	Ingående axel slutväxel			1
5. 06-0805	Mellandrev kompl.slutväxel			1
6. 06-0806	Mellandrevsaxel slutväxel			1
7. 06-0807	Mellandrev slutväxel			1
8. 06-0808	Drivaxel sekundär kompl.			1
9. 06-0809	Drivaxel sekundär			1
10.08-4503	Slutväxel			1
11. 06-0811	Bricka mellandrev 12mm			1
12. 06-0812	Kullager slutväxel.6201			2
13. 06-0813	Kullager slutväxel.6004UU			1
14. 06-0814	Packbox 27x42x7			1
15.06-0505	Styrstift variatorlåpa 10x20			2
16. 06-0816	Flänsnutt 8mm			1



MODEL(S) BS05W-6(SHARK50)			A	Q
BLOCK NO. A-1		CHANGI	P	T
PARTS NUMBER	DESCRIPTION	DATE	L	R
			Y	E
				Q
1. 11100-T1A-000	R.crank case body			1
2. 06-0902	Bussning motorupphängning			2
3. 06-0903-1	Motorblock vänster			1
4. 06-0904	Stötdämpar bussning			1
5. 06-0905	Pinne motorblock			1
6. 06-0906	Bussning motorblock 8×12×8			1
7. 06-0907	Bussning centralstöd			2
8. 08-3007	Slanganslutning+slang			1
9. 06-0909-1	Oljepump komplett			1
10. 06-0910-1	Fästplatta oljepump			1
12. 06-0912	Oljenivåplugg slutväxel			1
14. 06-0914	Bricka 8mm			1
15. 08-3391	Kullager slutväxel.6203(TMB)			2
16. 06-0812	Kullager slutväxel.6201			1
17. 08-3402	Packbox 15.6×25.5×7			1
18. 06-0918	Packbox 20×31×7			1
19. 08-3404	Packbox 17×30×6			1



MODEL(S)
BS05W-6(SHARK50)

BLOCK NO. A-1

CHANGE
DATE

**A
P
P
L
Y**

**Q
T
Y
R
E
Q**

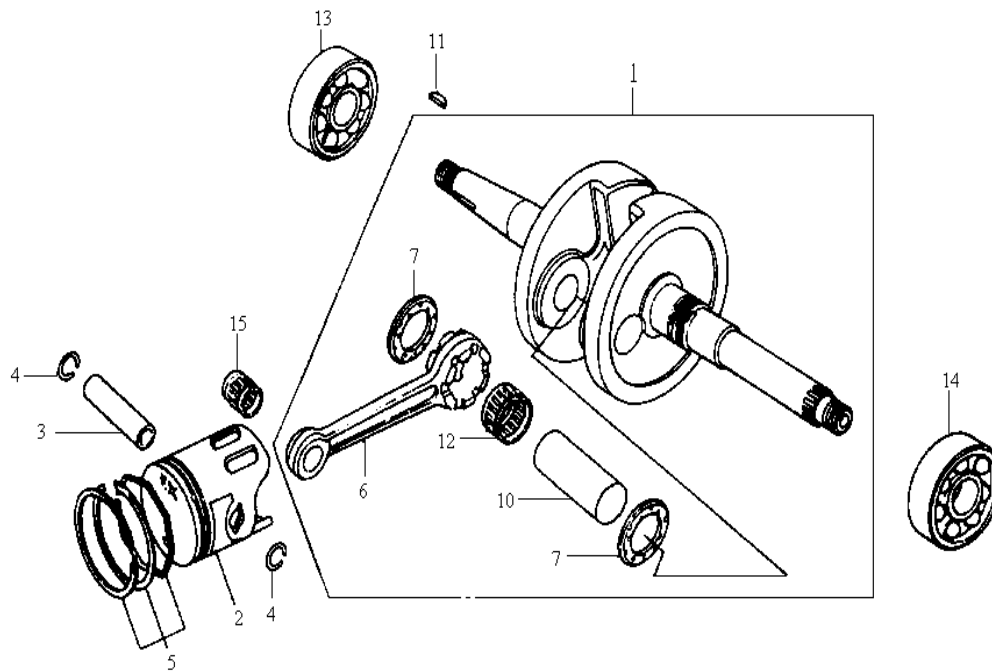
PARTS NUMBER

DESCRIPTION

20. 06-0920
22. 06-0505
23. 08-3463
24. 06-0924
25. 06-0925
26. 06-0926
28. 06-0928
29. 06-0929
30.06-0930

O-ring oljepump 18.3x2.3
Styrstift variator kåpa 10x20
Slangklammer
Flänsbult 8x12
Flänsbult 8x35
Flänsbult 8x40
Flänsbult SH 6x32
Flänsbult SH 6x45
Flänsbult 6x55

1
2
2
1
2
5
1
3
3



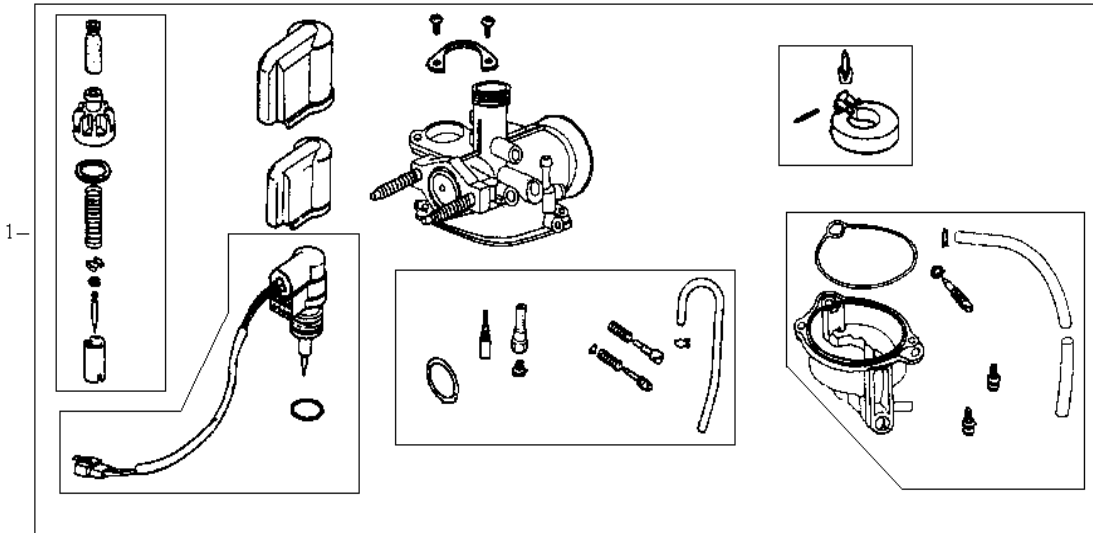
MODEL(S)
BS05W-6(SHARK50)

BLOCK NO. A-1

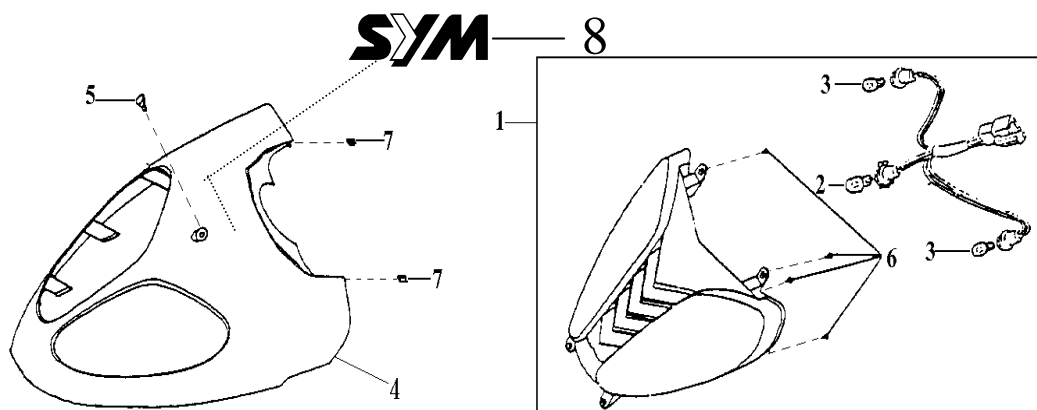
CHANGE
DATE

A
P
P
L
Y
Q
T
Y
R
E
Q

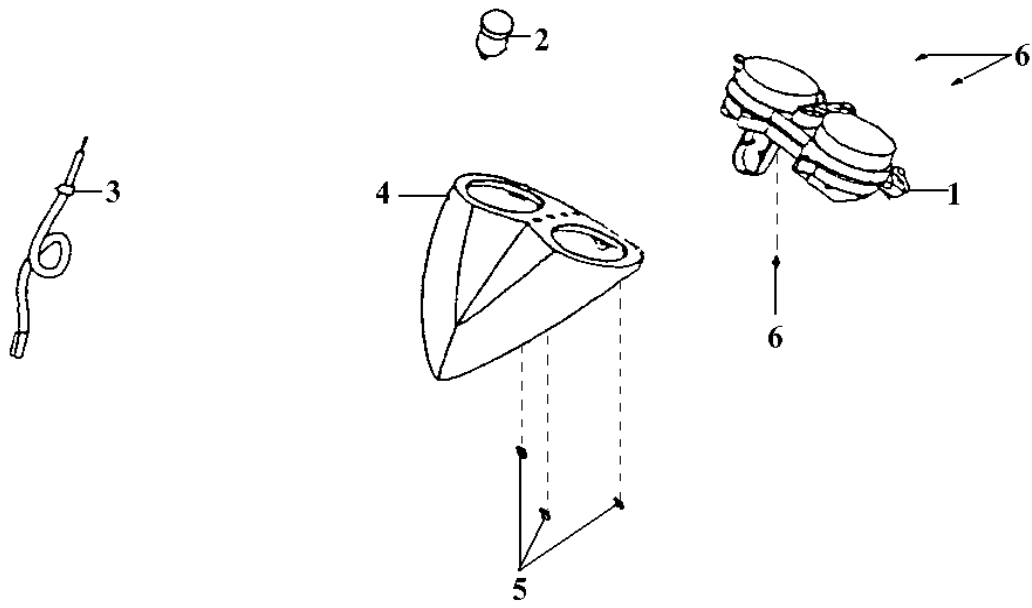
PARTS NUMBER	DESCRIPTION	CHANGE DATE	A P P L Y	Q T Y R E Q
1. 06-1001	Vevaxel kompl.			1
2. 06-1002-1	Kolv (ej ringar bult)			1
3. 06-1003	Kolvbult			1
4. 06-1004	Kolvbultslåsning 12mm			2
5. 06-1005-1	Kolvringsats			1
6. 06-1006	Vevstake (ej lager)			1
7. 06-1007	Axelbrickor			2
10. 06-1010	Vevstakstapp nedre			1
11. 06-1011	Woodruff kil 10x4			1
12. 08-4547	Vevstakslager			1
13. 06-1013	Ramlager höger special 6204			1
14. 06-1014	Ramlager vänster special 25x56x12			1
15. 06-1015-1	Kolvbultslager			1



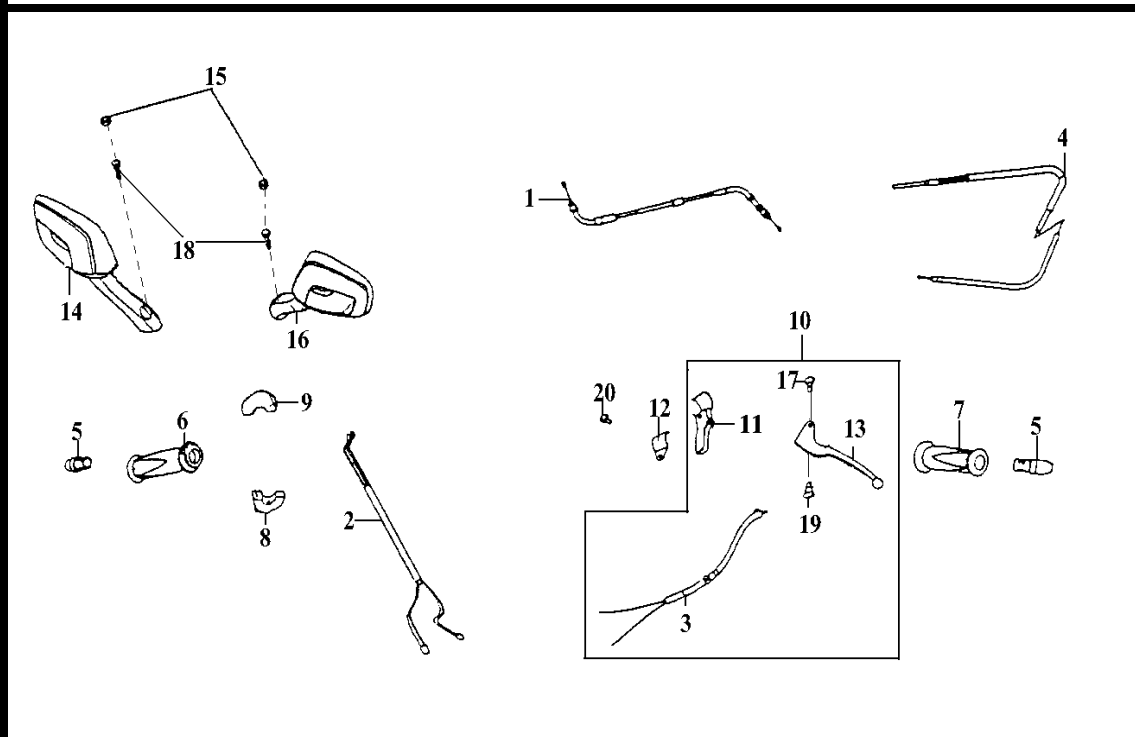
MODEL(S) BS05W-6(SHARK50)			A P P L Y	Q T Y R E Q
BLOCK NO. A-1		CHANGE DATE		
PARTS NUMBER	DESCRIPTION			
1. 06-1101-2	Förgasare			1



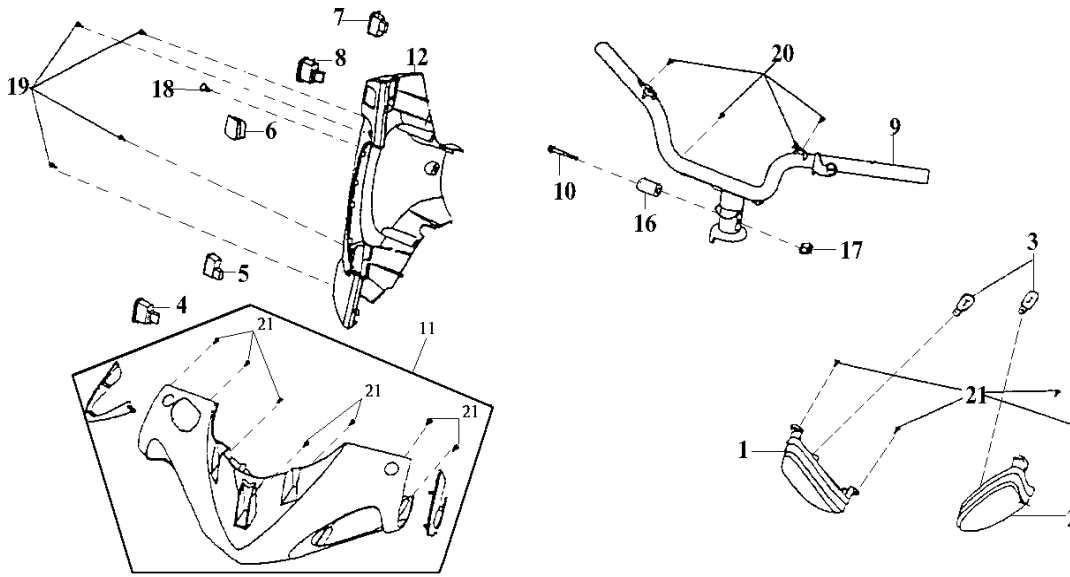
MODEL(S) BS05W-6(SHARK50)			A P P L Y	Q T Y R E Q
BLOCK NO. A-1		CHANG E D A T E		
PARTS NUMBER	DESCRIPTION			
1. 08-2150	Strålkastare			1
2. 08-2158	Glödlampa strålk. 12V35/35W			1
3. 08-2162	Glödlampa blinkers 12V5W			2
4. 08-2251	Frontkåpa blå			1
08-2253	Frontkåpa röd			1
5. 07-0408	Special skruv 6x14			1
6. 07-0323	Skruv 5x16			4
7. 08-2346	Mutter 5mm			2
8. 07-0314-5	Dekal styrkåpa (SYM)			2



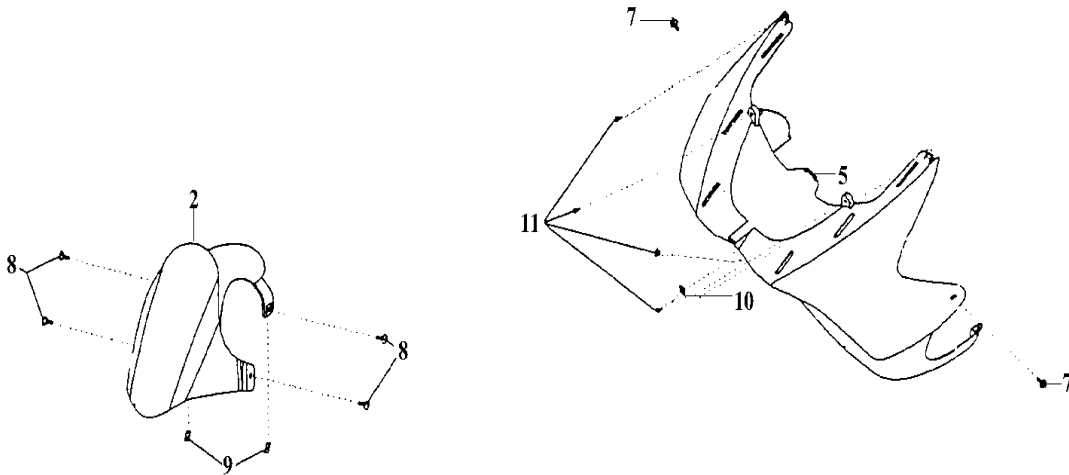
MODEL(S) BS05W-6(SHARK50)			A P P L Y	Q T Y R E Q
BLOCK NO. A-1		CHANGI DATE		
PARTS NUMBER	DESCRIPTION			
1. 08-4506	Instrumentpanel			1
2. 08-2176	Blinkersrelä			1
3. 08-4513	Hastighetsmätarkabel			1
4. 08-2242	Hastighetsmätarkåpa			1
5. 07-1315	Klippsmutter 4mm			3
6. 07-0321	Skruv 4x12			3



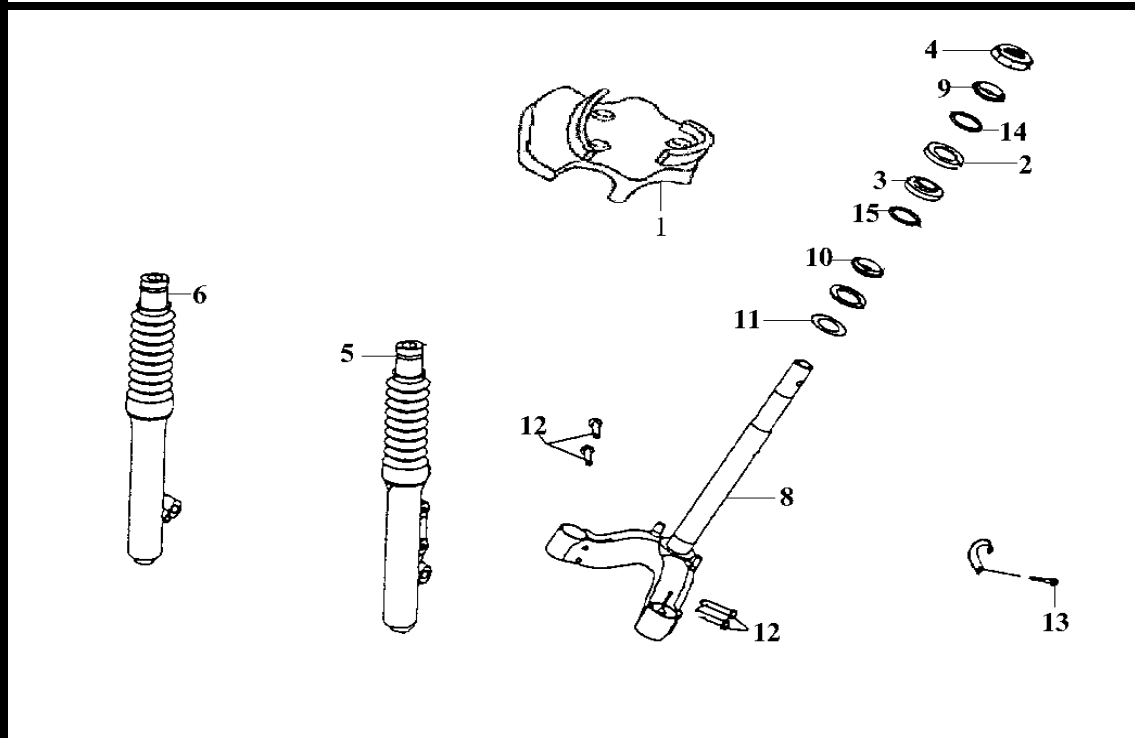
MODEL(S) BS05W-6(SHARK50)			A P P L Y	Q T Y R E Q
BLOCK NO. A-1		CHANGE DATE		
PARTS NUMBER	DESCRIPTION			
1. 08-4502	Gaswire kompl.			1
2. 08-2170	Bromskabel			1
3. 08-2171	Bromsljuskontakt			1
4. 08-4511	Bromskabel kompl.			1
5. 08-2224	Styrändesplugg			2
6. 08-2226	Gasrulle kompl.			1
7. 08-2227	Grepp vänster			1
8. 08-2228	Undre gaswire hylsa			1
9. 08-2229	Övre gaswire hylsa			1
10. 08-2234	Bromshandtag vänster kompl.			1
11. 08-2230	Fäste bromsgrepp vänster			1
12. 08-2231	Bygel bromsfäste			1
13. 08-4523	Bromsgrepp			1
14. 08-2298	Backspegel höger			1
15. 08-2299	Täckpluggar 8mm			2
16. 08-2300	Backspegel vänster			1
17. 08-2321	Skruv bromsgrepp			1
18. 08-2329	Mutter bromsgrepp 8x38			2
19. 07-0218	Mutter 5mm			1
20. 08-2458	Flänsmutter 6x20			1



MODEL(S) BS05W-6(SHARK50)			A P P L Y	Q T Y R E Q
BLOCK NO. A-1	DESCRIPTION	CHANGE DATE		
1. 08-2151	Blinkers höger fram			1
2. 08-2152	Blinkers vänster fram			1
3. 34905-B06-000-E	Glödlampa blinkers 12V10W			4
08-2160	Glödlampa blinkers 12V11W			4
4. 08-2165	Ljusströmbrytare			1
5. 08-1183	Startknapp			1
6. 08-1184	Hel-halv ljusomkopplare			1
7. 08-1185	Signalknapp			1
8. 07-0308	Blinkersomkopplare			1
9. 08-4522	Styre			1
10. 08-2225	Bult styre			1
11. 08-4527	Styrkåpa blå/silver			1
08-4529	Styrkåpa röd/silver			1
12. 08-4524	Bakstycke styrkåpa blå/silver			1
08-4526	Bakstycke styrkåpa röd/silver			1
16. 08-2314	Flänsmutter10x50			1
17. 08-2340	Flänsmutter 10mm			1
18. 07-0320	Skruv 5x7			1
19. 08-2411	Skruv 4x16			4
20. 08-2412	Skruv 5x12			4
21. 07-0321	Skruv 4x12			11



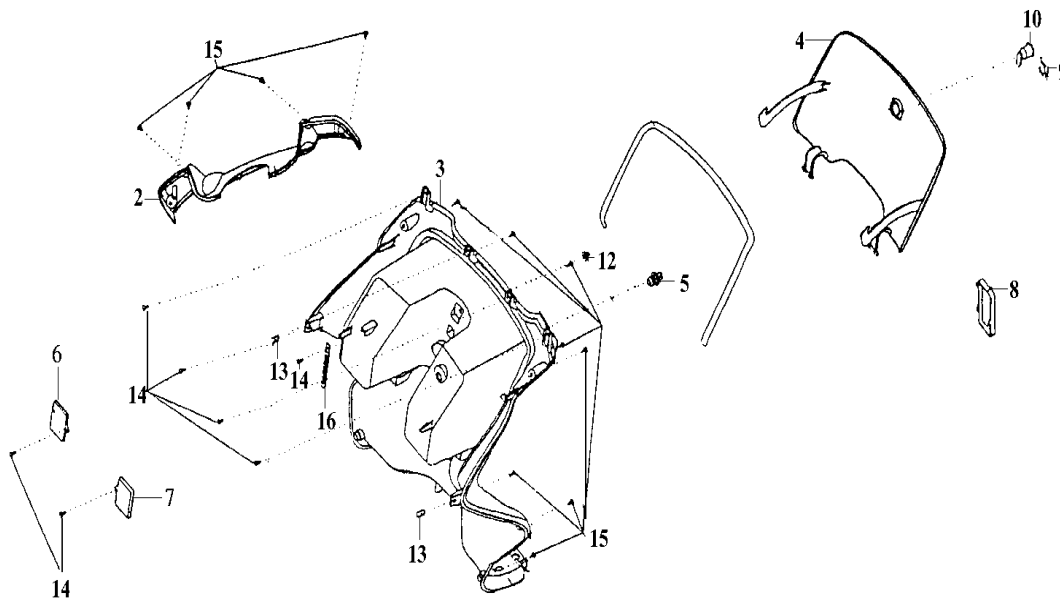
MODEL(S) BS05W-6(SHARK50)			A P P L Y	Q T Y R E Q
BLOCK NO. A-1	DESCRIPTION	CHANGE DATE		
2. 08-2246	Framskärm blå/silver			1
08-2247	Framskärm grön			1
08-2248	Framskärm röd			1
5. 08-2250	Undre frontkåpa silver			1
7. 08-2322	Skruv 5x14			2
8. 07-0409	Special skruv 6mm			4
9. 08-2343	Klippsmutter 6mm			2
10. 08-2346	Mutter 5mm			1
11. 07-0323	Skruv 5x16			4



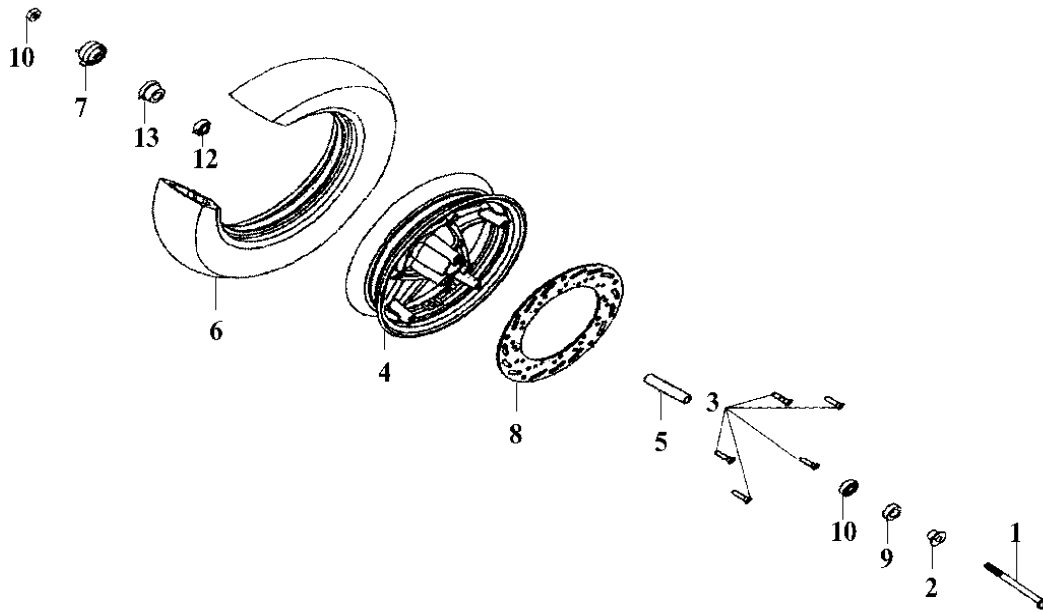
MODEL(S) BS05W-6(SHARK50)			A P P L Y	Q T Y R E Q
BLOCK NO. A-1	CHANGE DATE			
PARTS NUMBER	DESCRIPTION			
1. 08-2249	Skärmfäster			1
2. 08-2198	Styrlager			1
3. 08-2199	Styrlager			1
4. 08-4516	Toppmutter styrlager			1
5. 08-2220	Gaffelben höger			1
6. 08-2221	Gaffelben vänster			1
8. 08-2235	Gaffelkrona/styraxel			1
9. 08-1269	Övre kona			1
10. 08-2244	Undre kona			1
11. 08-2245	Dammtätning			1
12. 08-2440	Flänsbult 8x50			4
13. 08-2442	Flänsbult 6x12			1
14. 07-0512	Stålkula #5			1
15. 08-1532	Stålkula #8			1

FRÄMRE FÖRVARINGSBOX

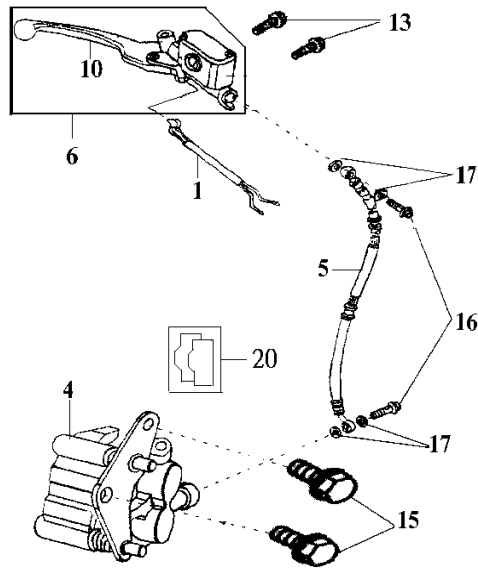
F07



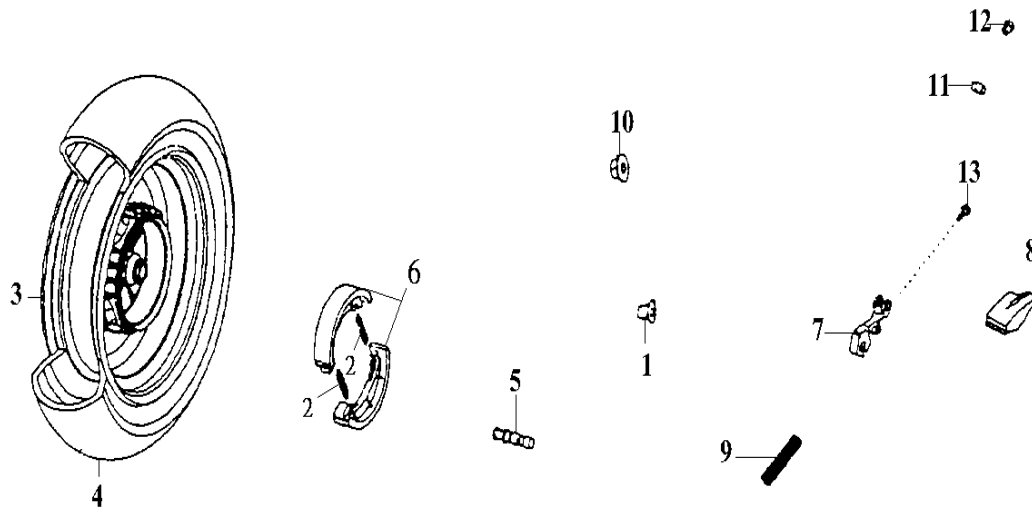
MODEL(S) BS05W-6(SHARK50)			A P P L Y	Q T Y R E Q
BLOCK NO. A-1		CHANGE DATE		
PARTS NUMBER	DESCRIPTION			
2. 08-2254	Mellanstycke blå/siver			1
08-2255	Mellanstycke grön			1
08-2256	Mellanstycke röd			1
3.08-2257	Innerbox			1
64304-H3A-000-GK		#####	Y	1
4. 08-2260	Lucka frontbox			1
64308-H3A-000-GK		#####	Y	1
5. 08-2261	Adjust hinge cover			1
6. 64316-H3A-000-KA	R. hinge cover	#####		1
7. 64317-H3A-000-KA	L. hinge cover	#####		1
8. 08-2262	Frame number lid			1
64318-H6B-000-GK		#####	Y	1
9. 07-0903	Låsbleck sadel tanklock			1
10. 08-2269	Inner box lock assy			1
12. 08-2336	Open stay nut 6mm			1
13. 07-0910	Plåtmutter 5mm			2
14.07-0321	Tapping screw 4x12			7
15. 08-2416	Tapping screw 5x16			11
16. 08-2432	Clip 2x100			1



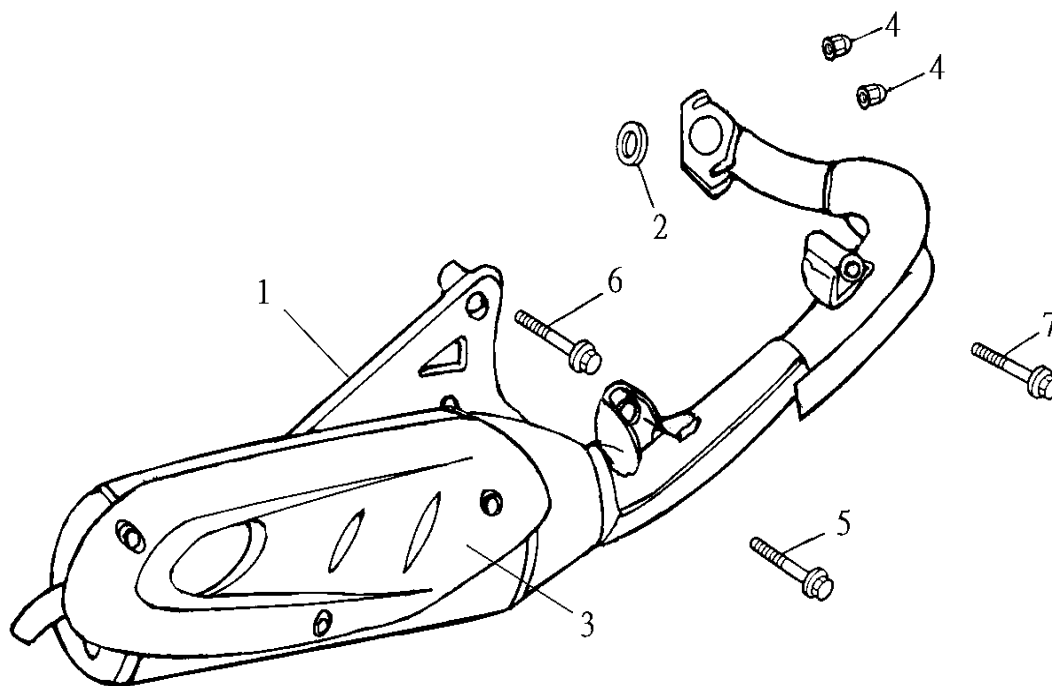
MODEL(S) BS05W-6(SHARK50)			A P P L Y	Q T Y R E Q
BLOCK NO. A-1	DESCRIPTION	CHANGE DATE		
1. 07-0603	Framaxel			1
2. 07-0604	Distans framaxel vänster			
3. 08-2313	Bultar bromsskiva 8x51			5
4. 08-2187	Fälg fram			1
5. 08-2188	Distans rör			1
6. 08-2098	Däck fram 100-90-12			1
7. 07-0607	Hastighetsmätardrivning			1
8. 08-2193	Bromsskiva fram			1
9. 07-0613	Dammtätning framhjul			1
10. 08-2345	Flänsmutter 12 mm			1
12. 07-0614	Framhjulslager			2
13. 08-2383	Hastighetsmätardrev			1



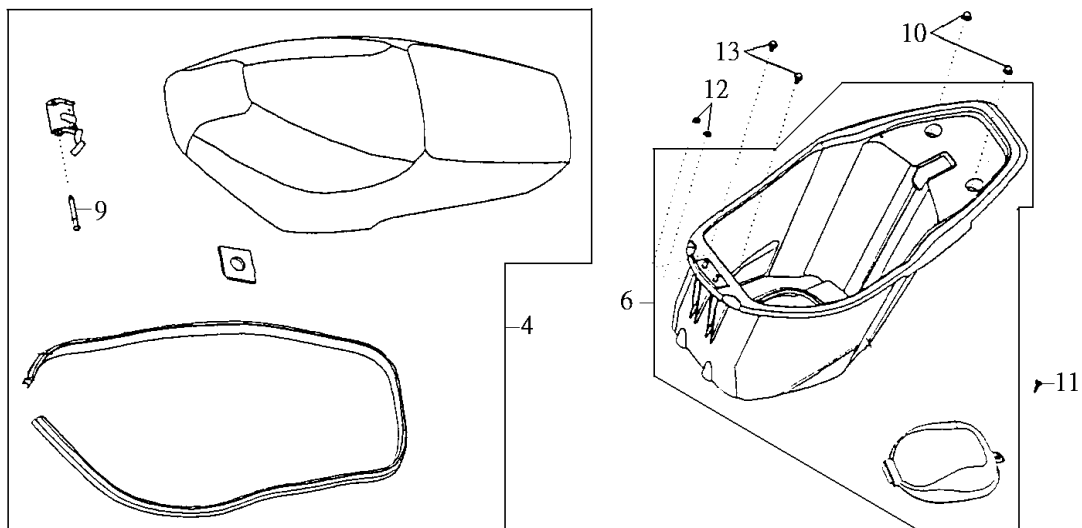
MODEL(S) BS05W-6(SHARK50)			A P P L Y	Q T Y R E Q
BLOCK NO. A-1		CHANGI DATE		
PARTS NUMBER	DESCRIPTION			
1. 07-1001	Bromsljuskontakt fram			1
4. 08-2191	Bromsok fram			1
5. 45126-H3A-600	FR. Brake hose comp			1
08-4514	<i>(Revised)</i> Bromsslang	#####	Y	1
6. 08-2196	Huvudcylinder frambroms			1
10. 08-1261	Bromsgrepp			1
13. 08-2318	Flänsbult 6x12			2
15. 08-2324	Flänsbult 8x35			2
16. 07-1010	Tätningbult 10x22			2
17. 07-1011	Tätningbricka			4
20. 08-2192	Bromsklossar			1



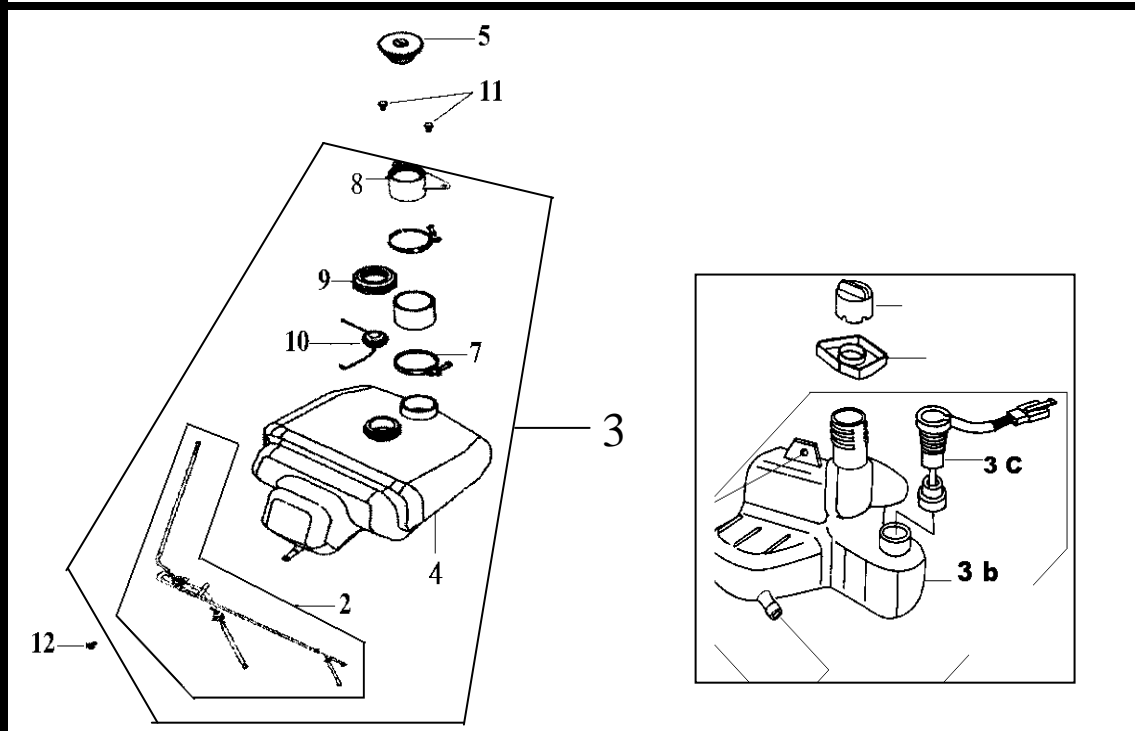
MODEL(S) BS05W-6(SHARK50)			A P P L Y	Q T Y R E Q
BLOCK NO. A-1	DESCRIPTION	CHANGE DATE		
1. 08-2177	Distans			1
2. 08-2195	Fjäder bromsbackar			2
3. 08-4508	Fälg bak			1
4. 08-2099	Däck bak 130-70-12			1
5. 08-2180	Excenteraxel			1
6. 08-2179	Bromsbackar			1
7. 08-4510	Bromsarm			1
8. 08-2182	Bromsarmskydd			1
9. 08-4512	Fjäder bromsarm			1
10. 08-4546	Flänsmutter 14mm			1
11. 07-0714	Rulle bromsarm			1
12. 07-0715	Justermutter bromsarm			1
13. 07-0716	Fästskruv bromsarm 6x32			1



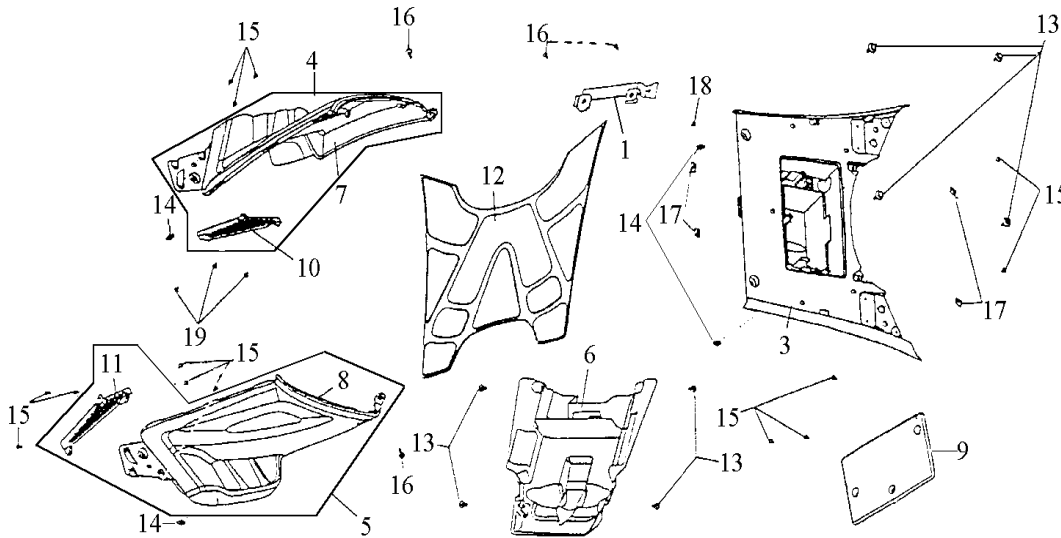
MODEL(S) BS05W-6(Shark 50)			A P P L Y	Q T Y R E Q
BLOCK NO.A-2		CHANGE DATE		
PARTS NUMBER	DESCRIPTION			
1. 07-2302-1	Avgasstystem komplett			1
2. 07-2301-1	Avgasflänspacking			1
3. 17-006-15	Värmeskydd kromat			1
07-2307-3	Värmeskydd plast	#####	N	1
4. 08-3359	Kupolmutter 6MM			2
5. 08-0213	Flänsmutter 8X35			1
6. 07-2304	Flänsmutter 8X45			1
7. 07-2305	Flänsmutter 8X55			1



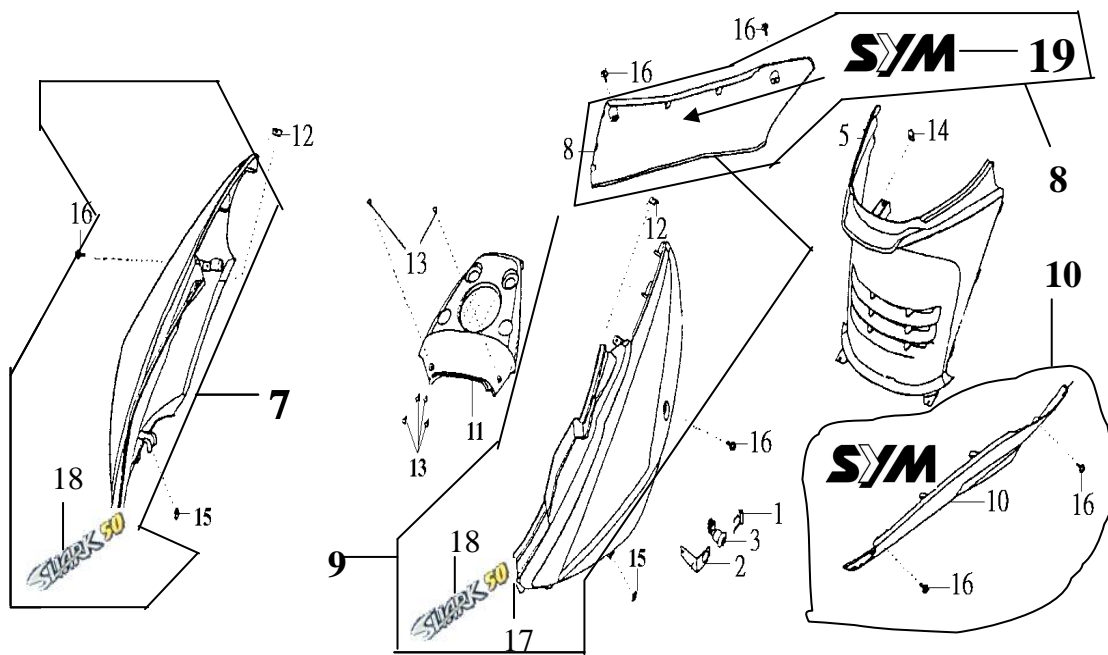
MODEL(S) BS05W-6(SHARK50)			A P P L Y	Q T Y R E Q
BLOCK NO. A-1		CHANGI DATE		
PARTS NUMBER	DESCRIPTION			
4. 7720A-H3A-006-BK(BK-001 (Revised)	Double seat assy	#####	N	1
6. 08-4532 (BK-001U)	Luggage box assy			1
6b 08-4501-1	Oljetank (ej på bilden)			
9.08-1350	Sprint 10x184			1
10. 08-2336	Kupolmutter 6mm			2
11. 07-0909	Special skruv 6x17			1
12.06-0213	Flänsmutter 6mm			2
13. 08-2445	Flänsmutter 6x16			2



MODEL(S) BS05W-6(SHARK50)			A P P L Y	Q T Y R E Q
BLOCK NO. A-1	DESCRIPTION	CHANGE DATE		
2. 08-2068	Fuel cock assy			1
3. 08-2075	Fuel tank assy			1
3b 08-4501-1	Oljetank (ej rätt bild)			
3c 08-4501-2	Oljenivågivare			
4. 08-2074	Bränsletank			1
5. 08-2076	Tanklock			1
8. 08-2081	Påfyllnadsrör			1
9. 08-2082	Mellanstycke			1
10. 08-2174	Bränslegivare			1
11. 08-2445	Flänsbult 6x16			2
12. 08-2447	Flänsbult 6x20			1



MODEL(S) BS05W-6(SHARK50)			A	Q
BLOCK NO. A-1		CHANGI	P	T
PARTS NUMBER	DESCRIPTION	DATE	L	R
			Y	E
				Q
1. 08-4517	Batterihållare			1
3. 08-2211	Fotplatta			1
50610-H3A-000-GK		#####	Y	1
4. 5061B-T1A-000-GK(GY-426U)	R. side step assy			1
5. 5061C-T1A-000-GK(GY-426U)	L. side step assy			1
6. 08-2212	Underdel golv			1
7.08-2214	Bakre fotplatta höger			1
8. 08-2213	Bakre fotplatta vänster			1
9. 08-2217	Batterilucka			1
50620-H3A-000-GK		#####	Y	1
10. 08-2218	Galler luftintag höger			1
11. 08-2219	Galler luftintag vänster			1
12.08-2263	Gummimatta			1
64320-H3A-000-GK		#####	Y	1
13. 08-2319	Flänsbult 6mm			8
14. 07-0910	Plåtmutter 5mm			4
15. 08-2416	Plåtskruv 5x16			11
16. 07-1318	Brickskruv			4
18. 07-0323	Skruv 5x16			7
19. 07-0321	Skruv 4x12			6



MODEL(S)
BS05W-6(SHARK50)

BLOCK NO. A-1

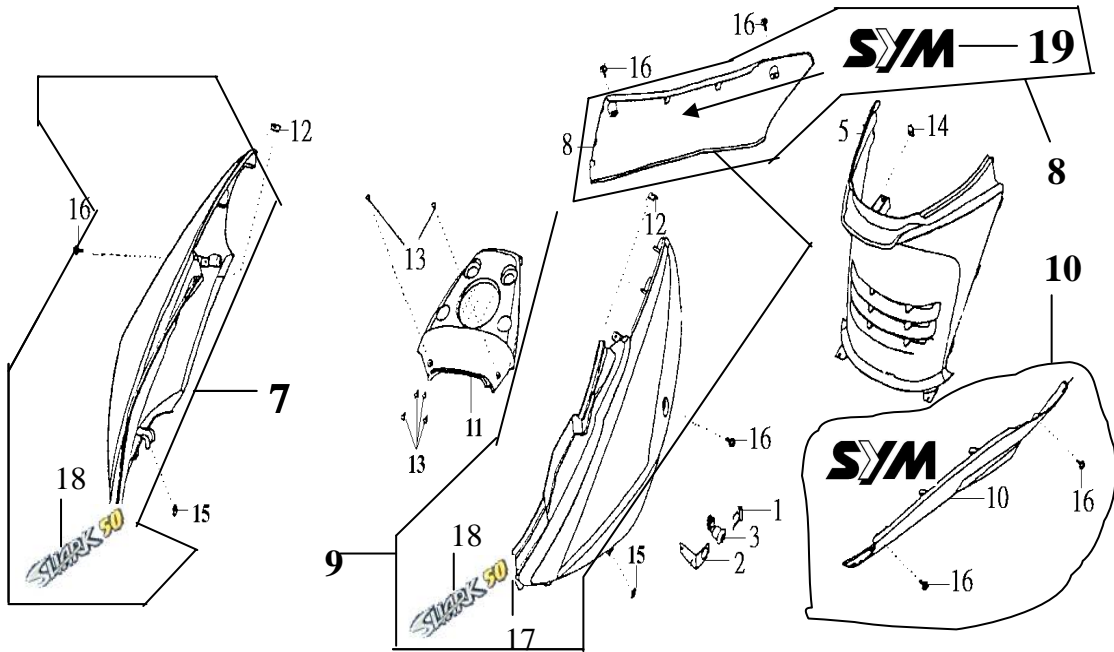
CHANGE
DATE

A
P
P
L
Y
Q
T
Y
R
E
Q

PARTS NUMBER

DESCRIPTION

1. 07-0903	Låsbleck sadel		1
2. 08-2271	Sadellåsbricka		1
3. 08-2272	Fästbygel sadellås		1
5. 08-2277	Centrumkåpa		1
80151-H3A-000-GK		#####	Y 1
7. 08-4533	Sidokåpa hö. blå/silver		1
08-4535	Sidokåpa hö. röd		1
8. 08-4537	Nedre sidokåpa hö.silver		1
9. 08-4538	Sidokåpa vä.blå/silver		1
08-4540	Sidokåpa vä.röd		1
10. 08-4542	Nedre sidokåpa vä. Silver		1
11. 08-2290	Bakre centrumkåpa blå/silver		1
08-2292	Bakre centrumkåpa röd/silver		1
12. 07-1315	Kloppsmutter 4mm		2
13.07-0321	Skruv 4x12		8
14. 08-2343	Klippsmutter 6mm		1
15. 07-0910	Klippsmutter 5mm		2



MODEL(S)
BS05W-6(SHARK50)

BLOCK NO. A-1

CHANGE
DATE

A
P
P
L
Y

Q
T
Y
R
E
Q

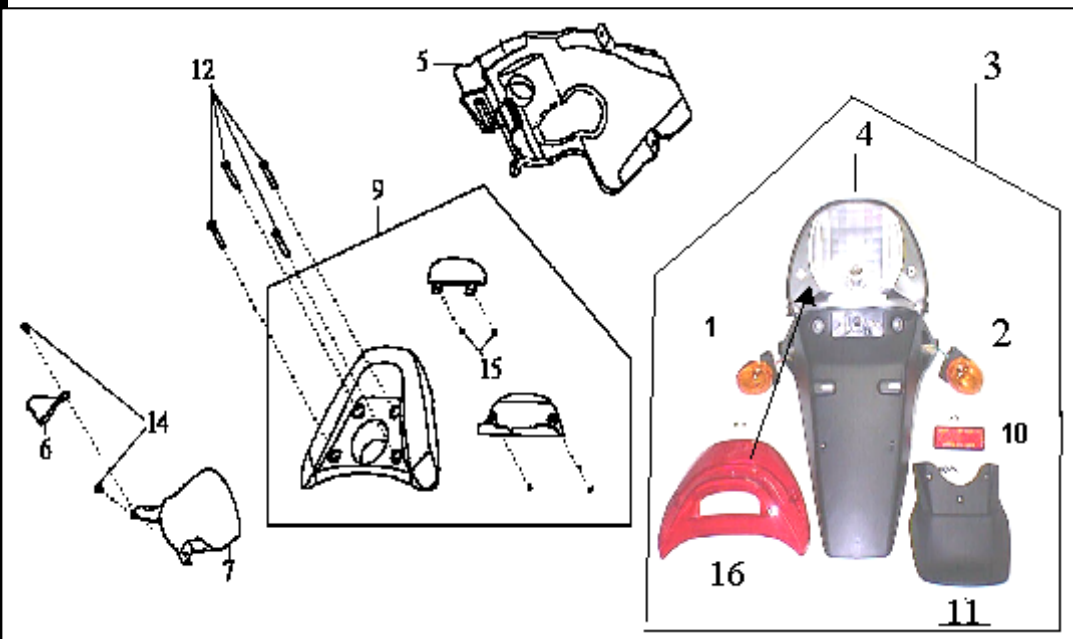
PARTS NUMBER

DESCRIPTION

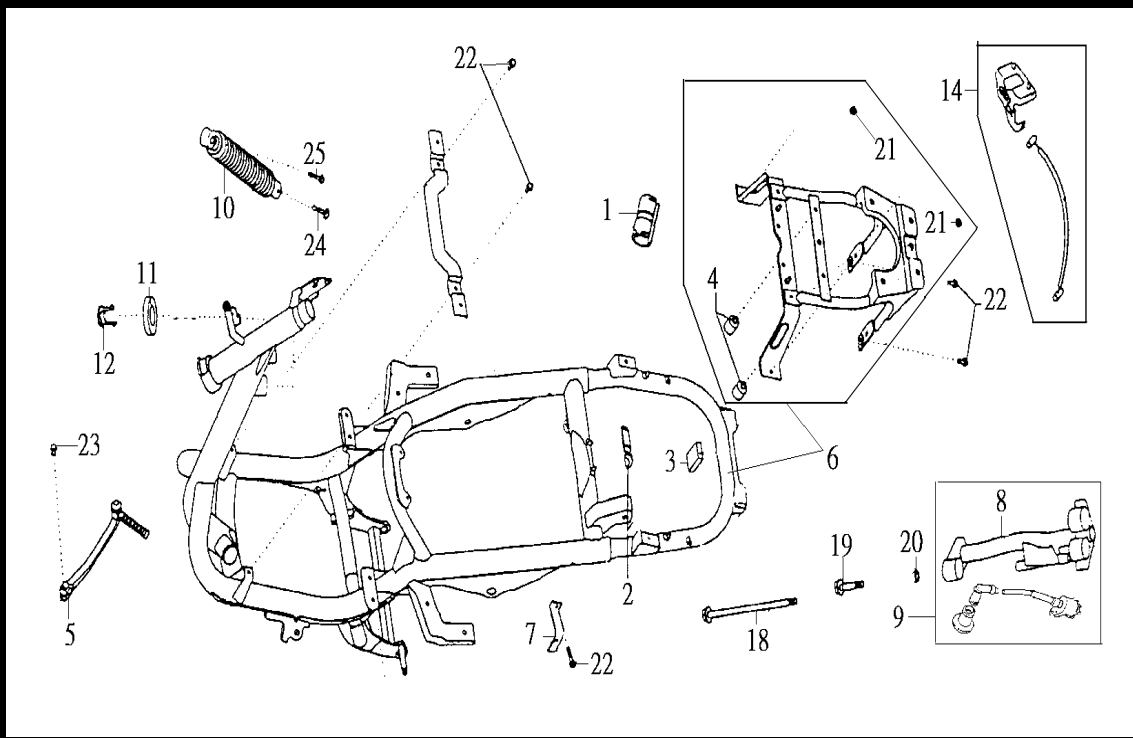
16. 07-1318
17. 08-2296
18. 08-4543
19. 08-2294

Brickskruv 5x16
Dekal "shark"
Dekal "shark50"
SYM dekal (194mm)

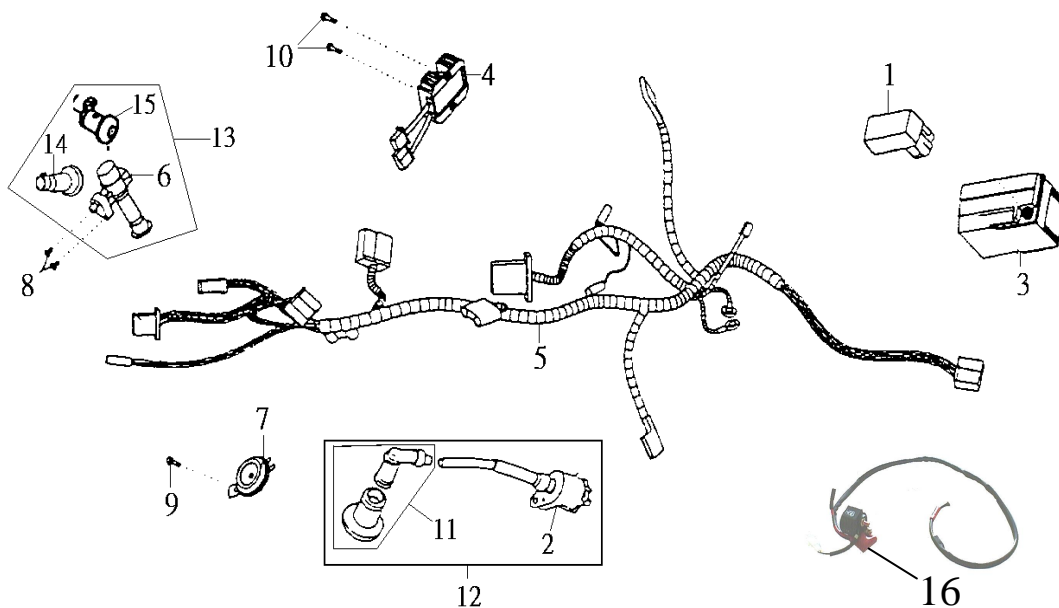
6
2
2
2



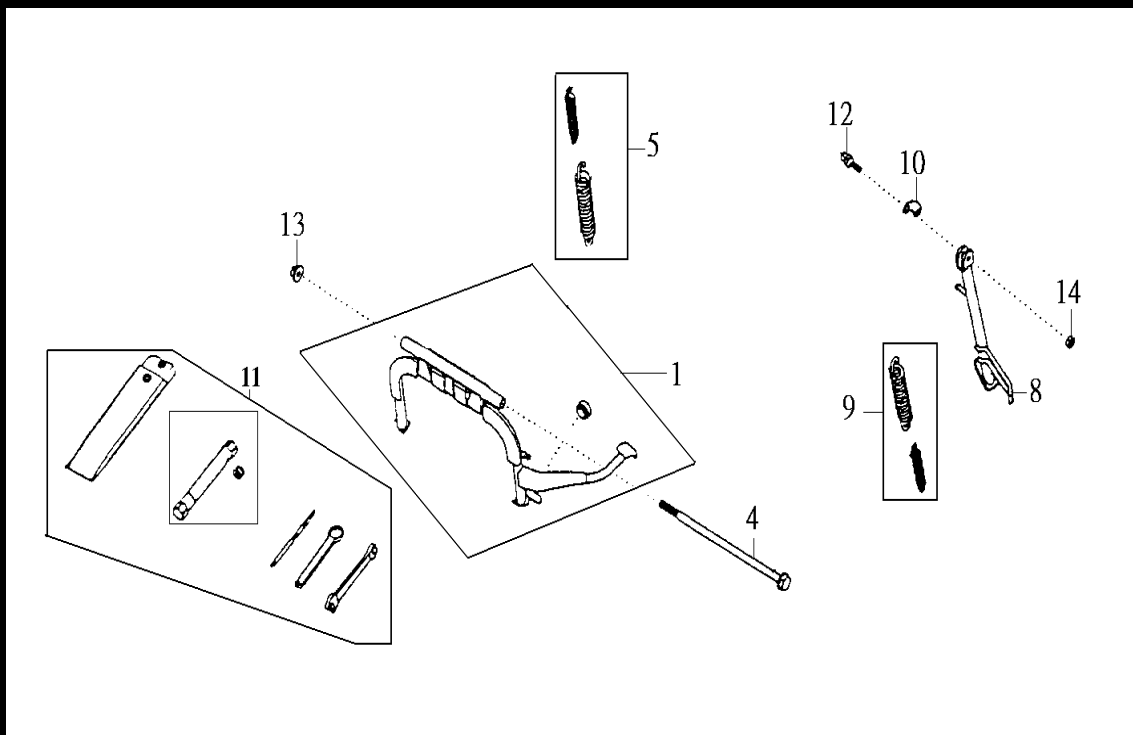
MODEL(S) BS05W-6(SHARK50)			A P L Y	Q T Y R E Q
BLOCK NO. A-1	DESCRIPTION	CHANGE DATE		
1. 08-2153	Blinker komp.hö.bak			1
2. 08-2154	Blinker komp.vä.bak			1
3. 08-2156	Bakskärm/ljusset			1
4. 34906-E69-000	Glödlampa 12V 21/5W			1
5. 08-2275	Bakre innterskärm			1
6. 08-2274	Stänkskyddfäste			1
7. 07-2201-2	Mini skärm			1
9. 08-2278	Handtag blå/silver			1
08-2279	Handtag grön			1
08-2280	Handtag röd			1
10. 08-2157	Reflex			1
11. 08-2293	Stänklapp nedre			1
12. 08-2328	Bult 8x45			4
13. 07-1416	Brickskruv 6x12			7
14. 08-2401	Brickskruv 6x16			2
15. 07-0322	Skruv 4x12			7
16. 08-2155	Bakljusglas			1



MODEL(S) BS05W-6(SHARK50)			A P P L Y	Q T Y R E Q
BLOCK NO. A-1	DESCRIPTION	CHANGE DATE		
1. 08-2077	Tankgummi A			2
2. 08-2078	Tankgummi B			1
3. 08-2079	Tankgummi C			1
4. 08-2080	Tankgummi D			2
5. 07-1701	Kickpedal			1
6. 08-4515	Ram kompl.			1
7. 08-2202	Kåpfäste			1
8. 07-1904-1	Motorfäste bakre			1
9. 08-2203	ENG. Hanger assy			1
10. 08-4521	Stötdämpare bak			1
11. 08-2258	Fäster			1
12. 08-2259	Täcklock			1
14. 08-2268	Sadellåssats			1
18. 08-2312	Flänsmutter 10x204			1
19. 08-2314	Flänsmutter 10x50			2
20. 08-2323	Distans			1
21. 07-0803	Flänsmutter 6mm			4
22. 08-2442	Flänsbult 6x12			5
23. 08-2448	Flänsbult 6x22			1
24. 08-2450	Flänsbult 8x32			1
25. 08-2453	Flänsbult 10x40			1

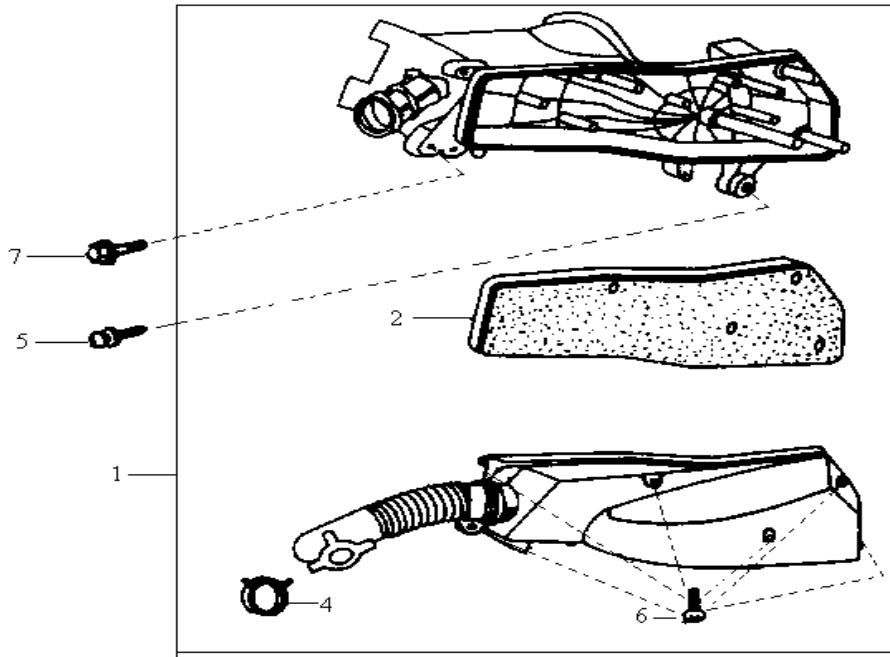


MODEL(S) BS05W-6(SHARK50)			A P P L Y	Q T Y R E Q
BLOCK NO. A-1	DESCRIPTION	CHANGE DATE		
1. 08-4504	C.D.I. Enhet			1
2. 08-2137	Tändspole			1
3. 08-2100	Batteri			1
4. 07-2004	Laddningsregulator			1
5. 08-4505	Kabelhärva			1
6. 08-2164	Tändningslås			1
7. 08-4507	Signalhorn			1
8. 07-2014	Flänsskruv 6x12			2
9. 08-2449	Flänsbult 8x12			1
10. 08-2442	Flänsbult 6x12			2
11. 08-2139	Tändhatt			1
12. 08-4093	Tändspole men kabel			1
13. 08-2163	Låskit kompl.			1
14. 08-2272	Fästbygel sadellås			1
15. 77233-M9Q-000	Inner box lock			1
16. 08-2172	Startrelä			1



MODEL(S) BS05W-6(SHARK50)			A P P L Y	Q T Y R E Q
BLOCK NO. A-1		CHANGI DATE		
PARTS NUMBER	DESCRIPTION			
1. 08-4519	Centralstöd			1
3. 08-4518	Gummistopp stöd			1
4. 08-2206	Axel centralstöd			1
5. 08-2207	Fjäder centralstöd			1
8. 08-4520	Sidostöd			1
9. 08-2209	Fjäder sidostöd			1
10. 08-2210	Sprint sidostöd			1
11. 08-4544	Verkygssats			1
12. 07-1707	Sidostödsskruv			1
13. 08-2340	Flänsmutter 10mm			1
14. 08-2348	Flänsmutter 8mm			1

LUFTRENARE



MODEL(S)
BL05W1-6

BLOCK NO. A-1

CHANGE
DATE

A
P
P
L
Y

Q
T
Y
R
E
Q

DESCRIPTION

PARTS NUMBER

1.Luftrenare komp.	07-2201-1			1
2.Luftrenarelement	07-2202-1			1
4.Klammer luftslang ut	07-2204			1
5.Brickskruv 6×35	07-2205			1
6.Tappskruv 5×20	07-2206			7
7. Flänsskruv 6×35	07-2208			1
Lilla skärm luftrenare	07-2201-2			